

INSTALLATION & USER INSTRUCTIONS

WALL MOUNTED ELECTRIC FIRE



Focal Point Fires plc.
Christchurch, Dorset BH23 2BT
Tel: 01202 499330
Fax: 01202 499326
www.focalpointfires.co.uk
e : sales@focalpointfires.co.uk

MODELS COVERED BY THESE INSTRUCTIONS

MONET ELECTRIC-	F500075
TRINITY ELECTRIC-	F500086
EBONY ELECTRIC-	F500293
MONET ELECTRIC ECO -	F500294
TRINITY ELECTRIC ECO -	F500295
EBONY ELECTRIC ECO -	F500296

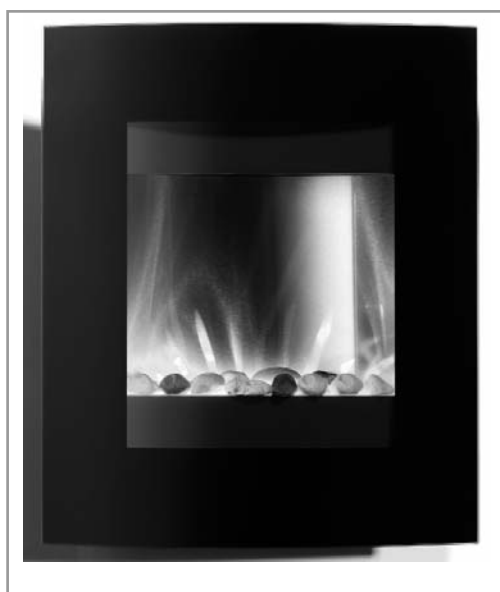
NOTE 'ECO' DENOTES THERMOSTAT FITTED



MONET



TRINITY



EBONY

Please note : Except where otherwise stated, all rights, including copyright in the text, images and layout of this booklet is owned by Focal Point Fires plc. You are not permitted to copy or adapt any of the content without the prior written permission of Focal Point Fires plc.

All instructions must be handed to the user for safekeeping.

Revision A - 07/10

Section	Contents	Page No.	Section	Contents	Page No.
1.0	Important Notes	2	8.0	Preparing the Appliance	3
2.0	Installation Requirements	2	9.0	Fixing the Appliance	4
3.0	Appliance Data	2	10.0	Operating the Fire	5
4.0	Unpacking the Appliance	2	11.0	Safety Cut-Out System	5
5.0	Component Checklist	2	12.0	Maintenance	5
6.0	Site Requirements	2	13.0	Cleaning	4
7.0	Clearances to Combustibles	3	14.0	Servicing	4
			15.0	Spares	4

1.0 IMPORTANT NOTES

- **DO NOT** use this appliance immediately below a fixed socket outlet.
- **DO NOT** use this appliance in the immediate vicinity of a bath, shower, swimming pool or other area where water/moisture could present a hazard.
- **Non Thermostat models only : WARNING :** This heater is not equipped with a device to control the room temperature. Do not use this heater in small rooms when they are occupied by persons not capable of leaving the room on their own, unless constant supervision is provided.
- **CAUTION:** This appliance must not be used in conjunction with any timer, programmer or thermal control, or any other device that will switch on the appliance automatically, as a fire risk may occur if the heater is accidentally covered or displaced.
- Do not allow the heater to be covered as this may cause overheating. The appliance must not be placed near curtains or similar material. A clearance space of at least one metre should be allowed in front of the appliance.
- The electrical socket that the appliance uses **MUST** be easily accessible. Do not route the supply cord directly in front of the heater unit.
- If the cord is damaged, it must be replaced by a service agent or competent person.
- This appliance is not intended for use by persons (including children) with reduced physical, sensory or mental capabilities, or lack of experience and knowledge, unless they have been given supervision or instruction concerning use of the appliance by a person responsible for their safety.
- Children should be supervised to ensure that they do not play with the appliance.

2.0 INSTALLATION REQUIREMENTS

The appliance is supplied with a pre-wired three pin plug, (13Amp fuse rated), and 2 metres of electrical cable. It is therefore necessary for a suitable electrical socket to be located within this distance and be easily accessible.

This appliance is designed to be wall-hung, using the wall fixtures/fixings provided. DO NOT recess any part of appliance into the wall.

3.0 APPLIANCE DATA

Supply Voltage:	230/240V AC, 50Hz	Fuse Rating:	13 Amp
Heating Elements:	2 x 900W/2 x 1000W	Lighting:	1 x 60W GE Fireglow "BC" bulb

4.0 UNPACKING THE APPLIANCE

Read **all** the instructions before continuing to unpack or install this appliance. Carefully remove the appliance from its packaging and lay on the floor with its back surface downward. Note: **DO NOT** stand the appliance on its frame as this may cause distortion. Check that the remaining packaging contents correlate with the component checklist below. Please dispose of all packaging with care at your local recycling centre.

5.0 COMPONENT CHECKLIST

QUANTITY	DESCRIPTION
1	Wall Heater
1	Bag of Decorative Pebbles
1	Instruction Booklet
1	Decorative Frame (Monet models only)
1	Decorative Frame Decorative frame edge sets and attachment magnets (Trinity models only)
1	Decorative glass facia (Ebony models only)
1	Screw and Wall-Plug Pack (3 x 40mm pozi pan head screws/3 x wall plugs)
1	Wall Mounting Template

6.0 SITE REQUIREMENTS

The appliances are designed to be wall mounted via the brackets on the rear panel with the fixings provided. The wall should be relatively flat and not interfere with any of the ventilation slots in the rear panel.

The wall must be structurally sound and of a material capable of withstanding moderate heat. Finished plaster, conventional wall-paper, dry-lined plaster board are examples of suitable materials. Materials such as "flock blown vinyl", embossed paper and cloth

6.0 SITE REQUIREMENTS - CONTINUED

GB IE

wall coverings which are sensitive to even small amounts of heat should be avoided, as some discolouration may occur. It should be noted that the appliance creates warm convected air currents. These currents move heat from the room surroundings to, and up the wall surfaces adjacent to the heater. Installing the heater next to these types of wall coverings or operating the heater where impurities in the air, (such as tobacco smoke) exist, may slightly discolour wall finishing.

If the appliance is to be mounted on a dry lined or timber framed construction then the integrity and ability of the wall to carry the weight of the appliance must be confirmed. It is important in these circumstances that any vapour barrier and/or structural members of the house frame are not damaged.

If you are unsure of the ability of the wall to carry the weight and/or which type of wall fixing to use, you should take professional advice and obtain the correct fixings. Alternatively, find a more suitable wall location.

- DO NOT**
- mount on a ceiling or floor.
 - recess any part of the appliance into the wall.
 - site any electrical equipment e.g. plasma screen TV sets etc, on the wall above the appliance.
 - site in a position where curtains or drapes could cover the appliance.
 - site in a position where other soft materials could cover e.g. below a coat rack.
 - site behind an opening door where mechanical impact/damage could occur.
 - site where the supply cable would become a trip hazard.
 - sit, stand or forcefully pull on the appliance.
 - obstruct, cover or force items into the openings.
 - use the heater to dry clothes.
 - site/use in an outdoor location(s).
 - run the supply cable under carpets.

7.0 CLEARANCES TO COMBUSTIBLE MATERIALS

It is important that the following clearances are maintained from the appliance to combustible materials. These clearances are dependant on the mounting location as defined below:

a) Wall Mounted:

The minimum distance from the top of the appliance to a ceiling is 500mm.

The minimum distance to the sides of the appliance is 100mm.

The minimum distance to the front of the appliance is 500mm.

The appliance can be wall mounted at floor level, providing it does not stand on a carpet or similar material. Allow clearance to carpets of 30mm. A shelf may be mounted above the appliance provided it meets the requirements for shelves as detailed in b) below.

b) Floor/Fireplace Mounted:

If mounted into a fireplace surround, ensure that the minimum clearance distances to mantles and/or any shelves fitted above the appliance are as follows:

Shelf Depth	Minimum Shelf Distance (measured from top of appliance)
2" or (50mm)	11.5 " or (290mm)
6" or (152mm)	15.4 " or (390mm)

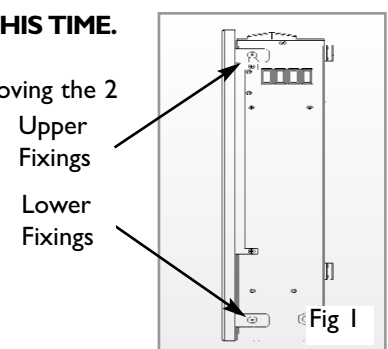
When installed with a combustible fire surround, the ability of the surround to withstand prolonged moderate heat must be assured.

8.0 PREPARING THE APPLIANCE

CAUTION: DO NOT CONNECT THE APPLIANCE TO THE ELECTRICAL SUPPLY AT THIS TIME.

1. Carefully remove the front decorative frame from the main casing by unscrewing and removing the 2 lower M6 thumbscrews, (2 located on either side), as shown in Fig 1.

Lift the frame vertically upwards to clear the upper two thumbscrews and pull gently forwards to release from the main case assembly.



2. Now remove the 2 x No 8 Pozi self tapping screws, retaining the lower lamp cover plate, as shown in Fig 2, and remove the cover plate.

No 8 fixing screws

Lamp cover plate

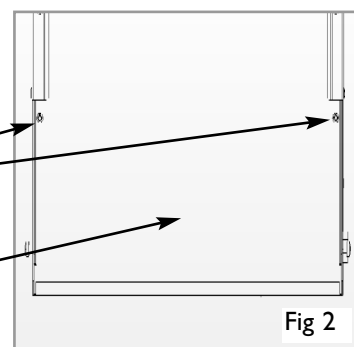


Fig 2

3. Carefully “ease” the white fuel bed from the appliance.

This allows access to the lower fixing position located at the back of the main case assembly. See Fig 3.

Lower fixing position

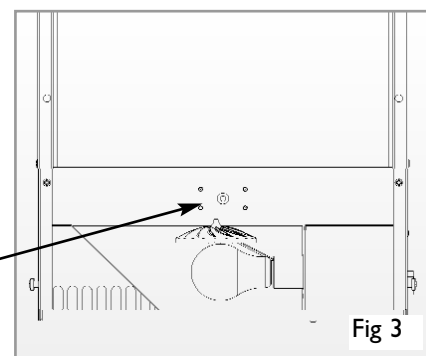


Fig 3

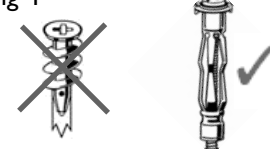
9.0 FIXING THE APPLIANCE

Focal Point Fires plc. assumes absolutely no responsibility for injuries and damages that may occur due to improper installation or handling. The appliance should not be installed until all wet plastering and/or dry wall sanding and wall painting has been completed. Do not block the ventilation holes of the appliance. The wall onto which the appliance is installed must be flat. Install only on a vertical surface. Avoid sloped surfaces. Installation onto anything other than a vertical wall may result in fire, damage or injury.

Marking Positions: Having selected the final mounting position for the appliance, taking into account the site requirements as detailed above, the fire can now be fixed to the wall. There are three fixing positions, two upper “hanging” positions, and one lower positions. Refer to Fig 3 for details. The two upper positions are located 85mm down from the top edge of the top frame, and are spaced 350mm apart about the centre line of the appliance. Once these have been marked the lower fixing position can then be marked. This is 395mm vertically below the upper fixing positions, on the appliance centre line. See Fig 3. Use a spirit level to ensure that the upper positions are horizontally aligned.

Wall Fixings: If the appliance is to be mounted on the inner leaf of a conventional cavity wall or a solid wall, drill three holes to a depth of 42mm using a 8mm masonry bit. Insert the wall-plugs provided. If the appliance is to be mounted on a dry lined wall or timber framed construction, then special cavity screw fixings will be required, that are not supplied with this product (see figure 4). Insert 2 x 40mm long fixing screws into the upper two wall-plugs, taking care to leave the screws protruding approximately 6mm from the wall. Now hang the appliance onto these upper screws through the two keyhole shaped holes in the upper brackets on the back panel of the appliance. Insert the lower fixing screw into the lower wall plug through the corresponding fixing hole in the lower part of the back panel. Do not tighten fully. Before tightening the wall mounting screws fully, at this stage it is recommended to check the horizontal alignment of the appliance with a spirit level, as small adjustments can still be made if necessary. When this has been checked, tighten all four fixing screws fully. To access the upper fixing screws insert a screwdriver through the access holes in the front face of the heater casing.

Fig 4



Re-Assembly of Appliance:

Note: re-assembly is the reverse of disassembly as described in section 8.0

1. Refit the fuel bed, ensuring that the lamp spinner is free to rotate.
2. Refit the lower lamp cover plate, firstly inserting the bottom edge behind the fire-box lip. Secure with the two screws previously removed. Peel off any remaining protective plastic coatings on the front frame, curved backpanel and the plastic fuel bed.
3. Unpack the pebbles and arrange them over the fuel bed. The final pebble arrangement can only be done later when the lamp is switched on and light shines up through the transparent cover. The ideal pebble layout is shown in the photograph on the right.
4. Reattach the front decorative frame by hanging onto the two upper fixing bolts, and reinserting the two lower fixing bolts through the lower fixing brackets. Retighten the two lower fixing bolts.

Note: For Trinity models either the chrome or brass decorative trim pieces can be attached. Use the the supplied magnets equally spaced along the rear face of each trim section. Fit both side sections firstly, followed by the top and bottom sections.



Fig 5

READ ALL INSTRUCTIONS BEFORE USE!

Check that the heater outlet grille, mounted at the top of the appliance, is not covered or obstructed in any way, and ensure the power to the fire is switched on. The appliance is controlled using four switches mounted at the right hand side towards the top.

- The first switch towards the front, marked (OI), controls the main power to the appliance and switches on the visual light display. This feature can be used independently of the heating features.
 - The next switch marked (✱) operates the fan blower without heat, and can be used for cool air circulation. However for this feature, the main power switch (OI) must also be in the “on” position.
 - The next switch with a “single bar” marked (I) operates the low heat, (1kW), setting.
 - The switch with “two single bars” marked (II) operates the high heat (2kW) setting.
 - To operate the fire in any of the above modes, the left hand switch marked (OI) must be switched to the “on” position.
 - To operate the fire, the first switch must be turned on firstly, followed by the second switch to start the blower, if required. To obtain heat from the appliance, the I switch must then be operated for LOW heat, followed by the II switch for the HIGH heat setting.
 - The appliance can be switched off at any time, irrespective of the particular mode selected, by simply switching the first switch marked (OI) to the “off” position.
- It is also recommended to unplug the power supply cable at the supply outlet when not in use.

Thermostat (where fitted)

The thermostat control knob is located directly underneath the switches on the right side of the appliance. The thermostat can be used to control the operation of the heater and maintain the room temperature to a desired level.

To operate the thermostat ensure all switches are in the ‘on’ position and turn the knob fully clockwise, and wait for the room temperature to reach the desired level. When this happens, slowly turn the thermostat knob anti-clockwise until the ‘click’ position is reached and the heater switches off. This position will maintain the room at its current temperature. As the room cools, the heater will cycle on and off again. To increase the room temperature turn the knob clockwise, and to decrease the room temperature turn anti-clockwise.

Note : It is possible that if the room temperature is hotter than the thermostat setting the heater will not switch on and will continue to remain off until the room cools sufficiently.

11.0 SAFETY CUT-OUT SYSTEM

This appliance has a safety cut-out system fitted which will activate if the air inlets or outlets are obstructed. For safety reasons the fire WILL NOT switch on again automatically. NOTE: The visual light effect will remain operational if the cut-out is activated, only the fan heater is prevented from operating.

The following procedure must be carried out before the fire can be operated again:

Unplug the power supply cable at the outlet socket and place all switches to off at the appliance. Leave the fire OFF for a period of not less than 10 minutes, ensuring any obstructions are removed. Plug in the power supply cable at the outlet socket, and then switch on at the appliance.

If the appliance fails to operate correctly, repeat the above procedure. If an attempt to switch on is made before the safety cut-out has reset, the heaters may cut-out for a further period of time. If the sequence has been followed correctly and the heaters still fail to function, check the power supply cable plug is plugged in to the outlet socket. If this is not the cause, call an electrician.

12.0 MAINTENANCE

ALWAYS DISCONNECT THE APPLIANCE FROM THE MAINS SUPPLY OUTLET SOCKET BEFORE UNDERTAKING ANY MAINTENANCE!

Excluding the lamp and fuse, use only genuine spare parts available from your supplier. Replacement lamps must be of the same wattage and specification as those stated in Section 3.0 Appliance Data/Specifications.

Replacing the Light Bulb.

1. Switch off at the appliance, and then disconnect the plug from the outlet socket.
2. Remove the decorative front frame, and the lower lamp cover plate (2 x screws), as described in section 8.0 to gain access to the bulb. Note: the fuel bed can be removed if necessary to aid replacement.
3. The bulb has a conventional bayonet fitting. Remove and replace with the new bulb (see Fig 6 opposite).
4. Reposition the lower lamp cover plate and replace the two No 8 Pozis screws, and tighten fully.
5. Reposition the decorative front frame and retighten the two lower frame fixing bolts.
6. Reconnect electrical supply and check for correct operation of the lamp and spinner assembly.

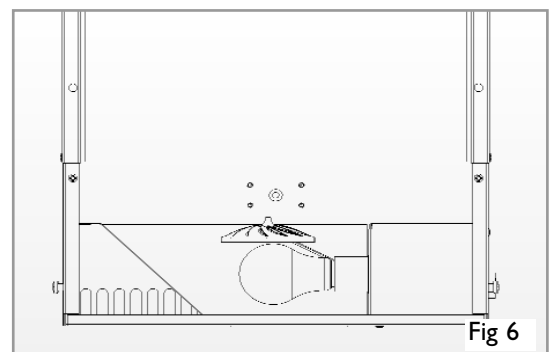


Fig 6

13.0 CLEANING

GB IE

ALWAYS DISCONNECT THE APPLIANCE FROM THE MAINS SUPPLY OUTLET SOCKET BEFORE UNDERTAKING ANY MAINTENANCE!
There are no specific requirements for care, other than regular cleaning of the general appliance. A wipe with a dry cloth is normally sufficient. DO NOT use abrasive cleaners as they can damage the finish. Stainless steel parts (where applicable) may be cleaned using an appropriate metal cleaner or baby oil. Test on a hidden part of the stainless steel before cleaning. Clean only in the direction of the grain. Mirror surfaces may be cleaned using normal glass cleaner.

14.0 SERVICING

There are no internal user serviceable parts.

Check regularly for security of wall fixings as appropriate. Also check security of supply cable and connections. If the supply cable becomes damaged, it must be replaced by a service agent or competent person, such as a qualified electrician.

The wires in the cable are coloured in accordance with the following code:

LIVE	- Brown
NEUTRAL	- Blue
EARTH	- Green/Yellow

Refer to Section 3.0, Appliance Data for fuse specification. Excluding fuses and lamps, use only genuine manufacturers spare parts available from your supplier.

15.0 SPARES

Refer to Section 3.0 Appliance Data for lamp and fuse specification. Excluding lamps and fuses, use only genuine manufacturers spare parts available from your supplier. We recommend 'GE Fireglow' replacement lamps. Do not use 'Maxim' branded lamps as these have been found to cause discolouration of the inner firebox.