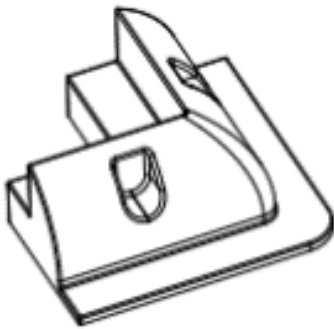
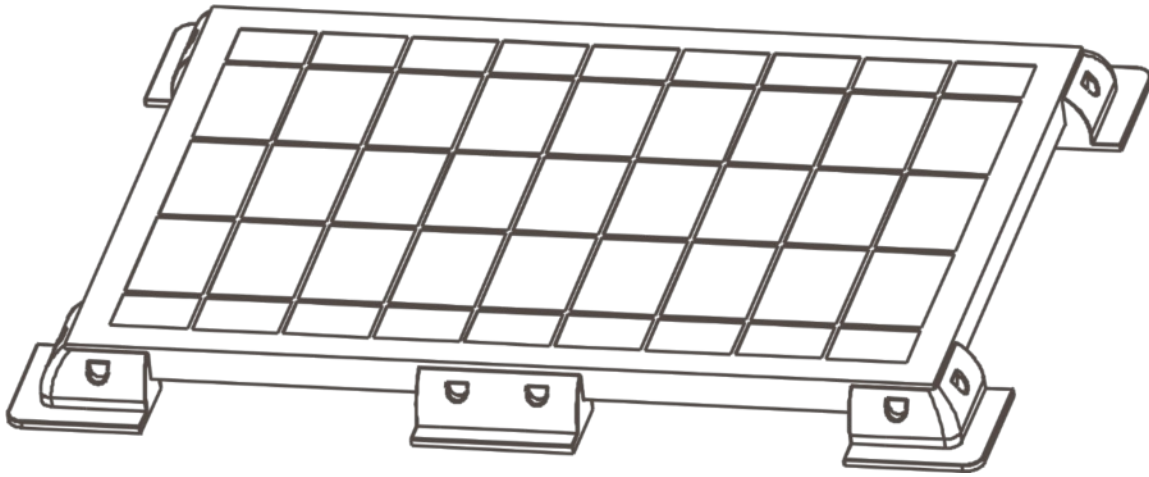
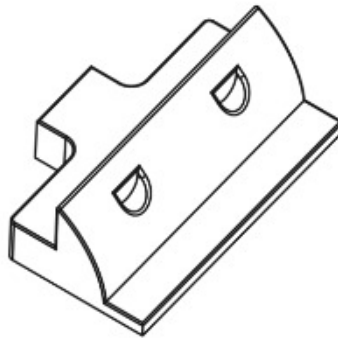


ABS Solar Panel Mounts Installation Guide



Corner Mounts X 4



Side Mounts X 2



Cable Entry Gland X 1



Bostik-360 Industrial Adhesive

OR



+

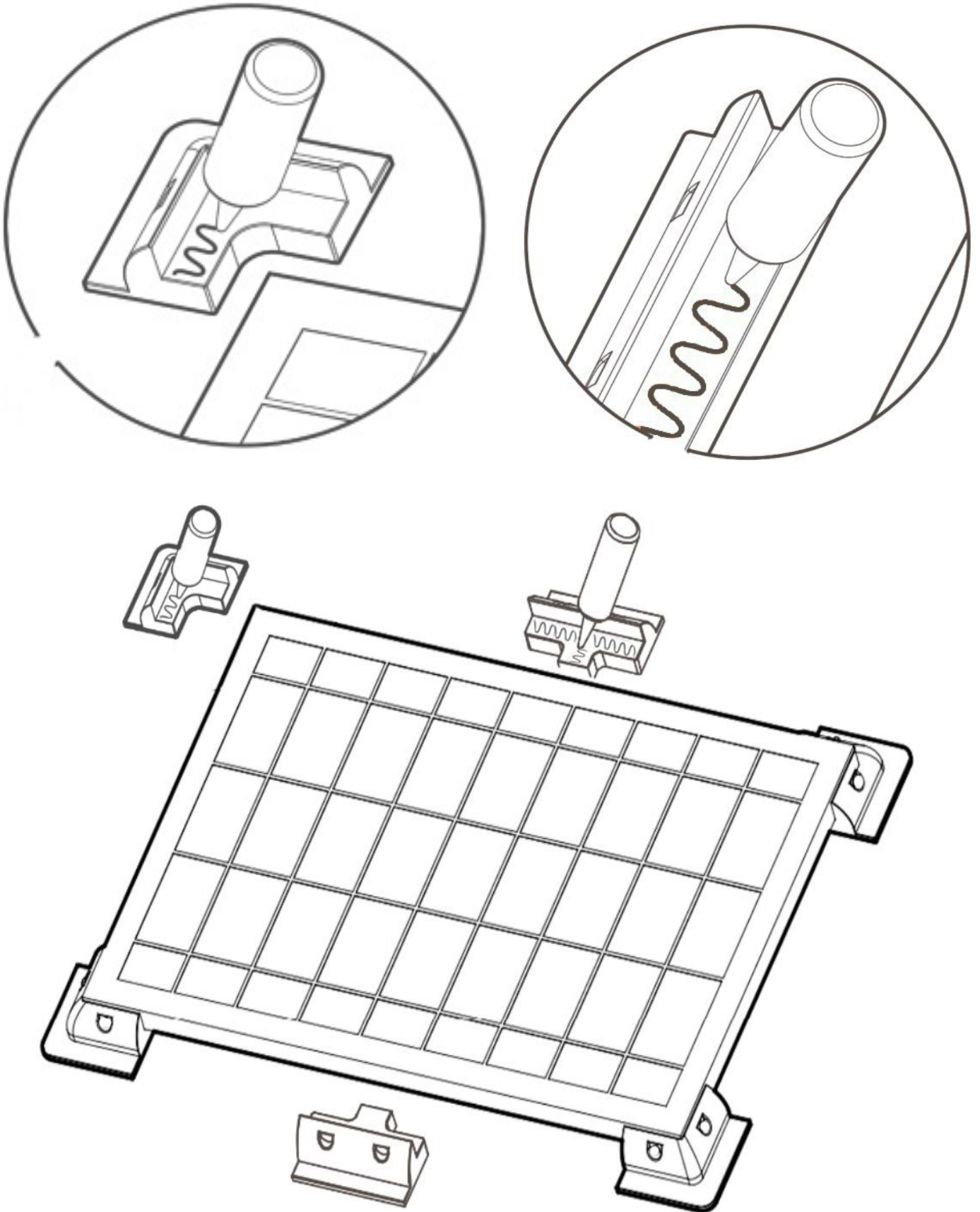


OR

Electric screwdriver and self tapping screws

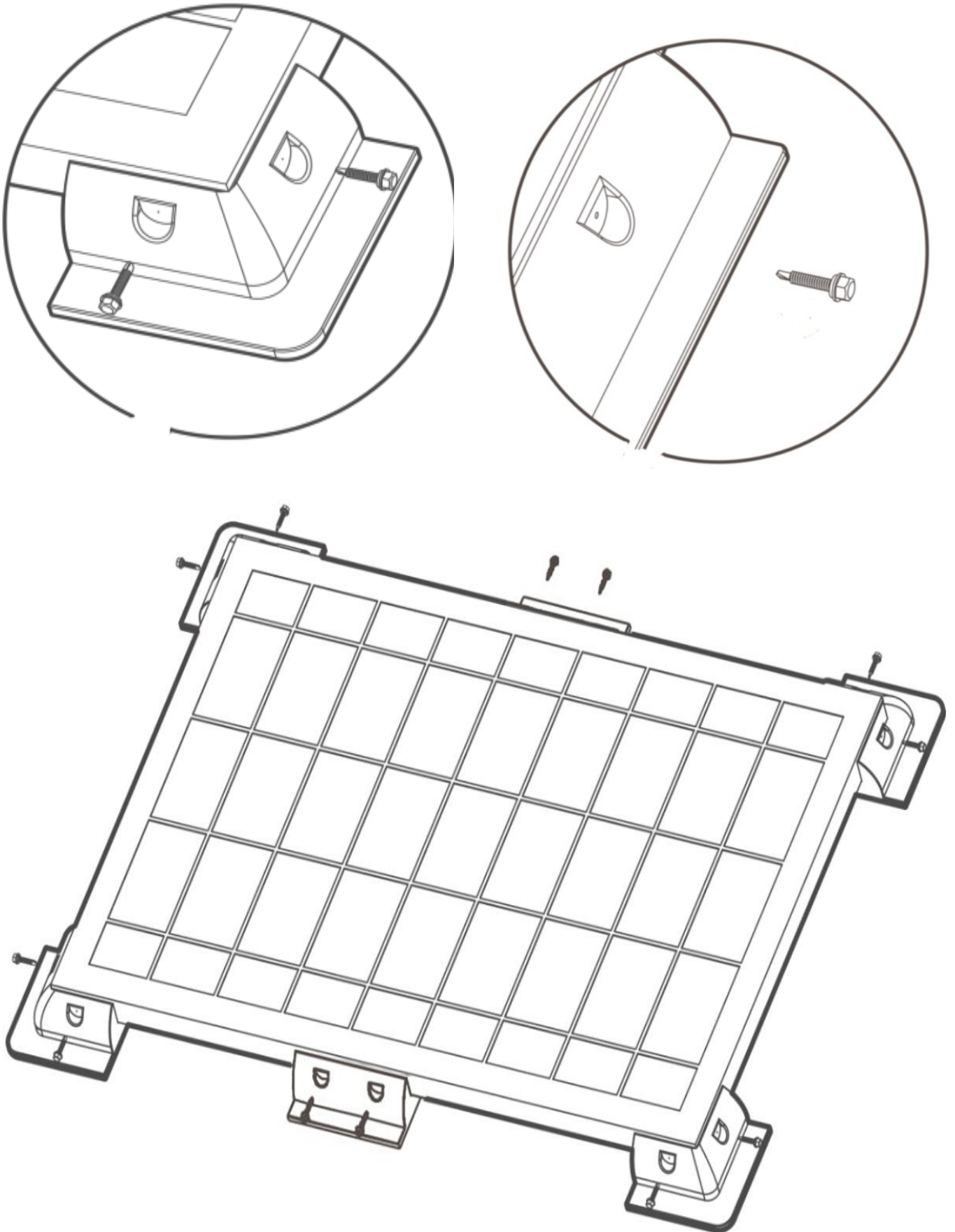
Choice 1:

Use Bostik-360 industrial adhesive to attach the mounts to the solar panel.



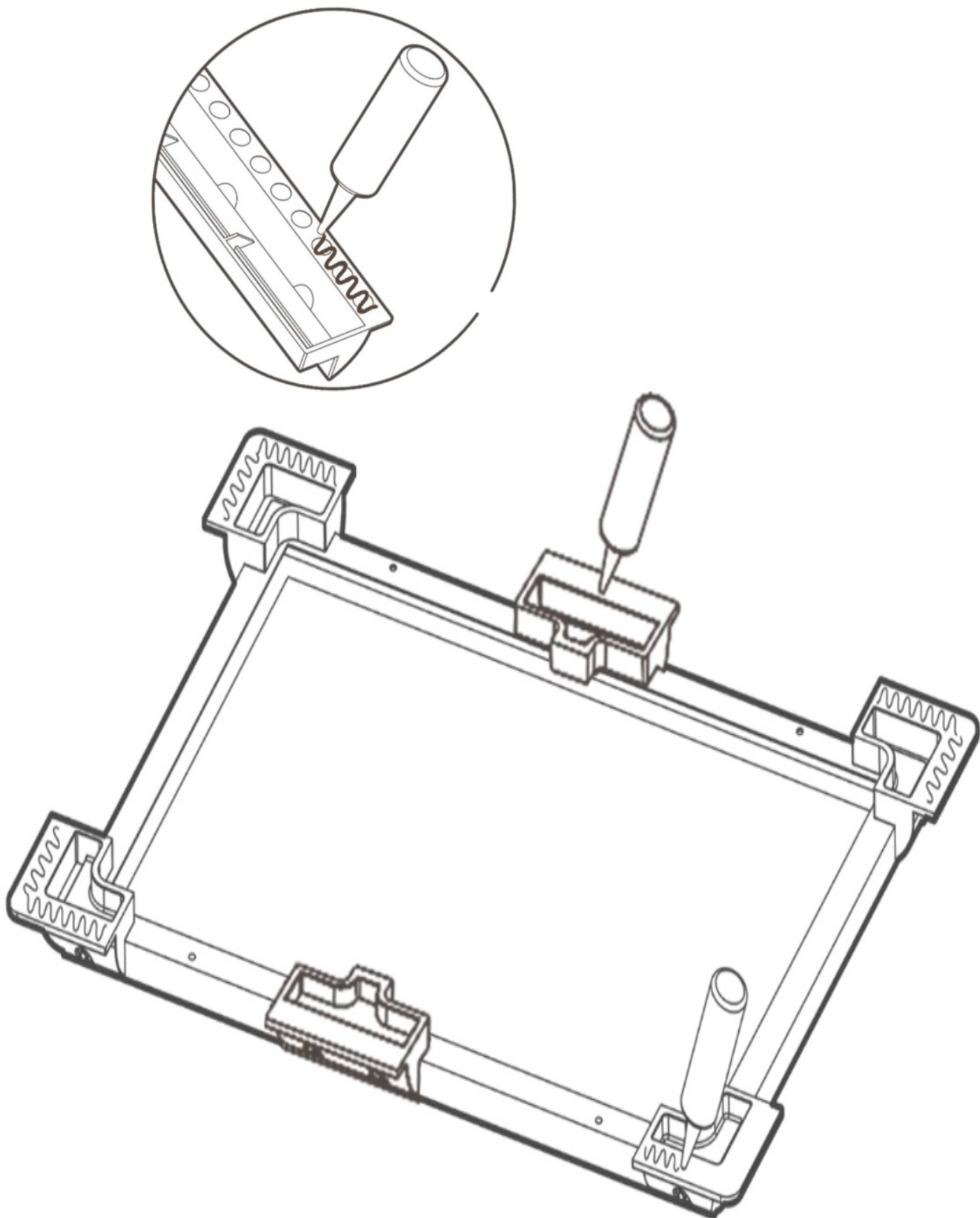
Choice 2:

Use self tapping screws to fix the mounts to the solar panel.

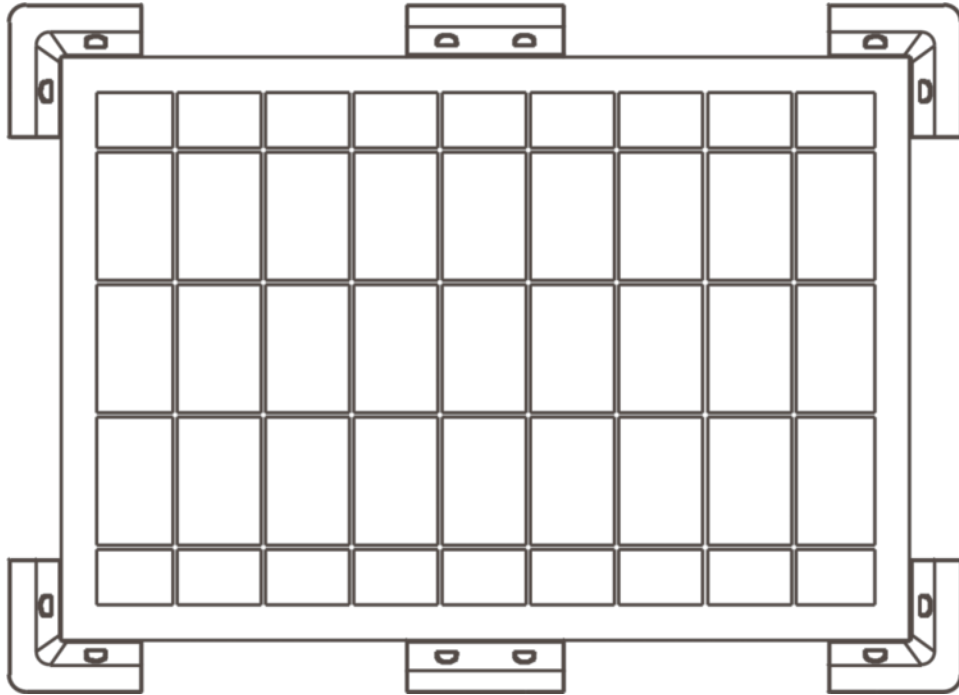


Installation Steps:

2. Use Bostik-360 Industrial Adhesive on the bottom of the mounts



Finished



Registered office:

Sunshine Solar Limited

Unit 30, Ashwellthorpe Industrial Estate

Ashwellthorpe

Norwich

Norfolk

NR16 1ER

tel. +44 (0)1508 488188

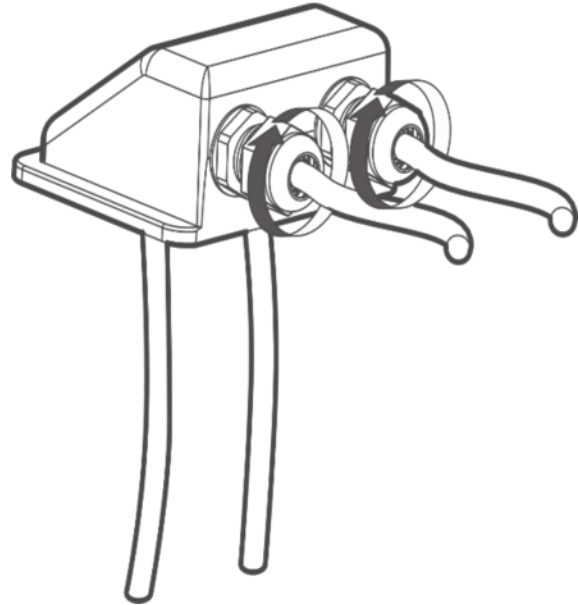
email. support@sunshinesolar.co.uk

web. www.sunshinesolar.co.uk

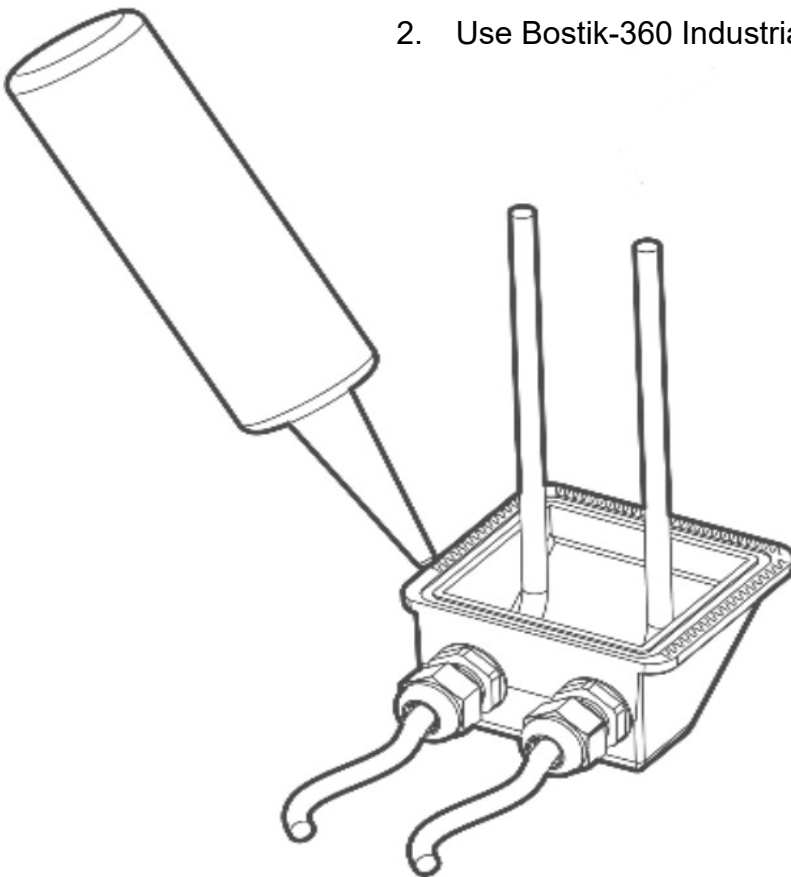


Cable Entry Gland Installation Guide

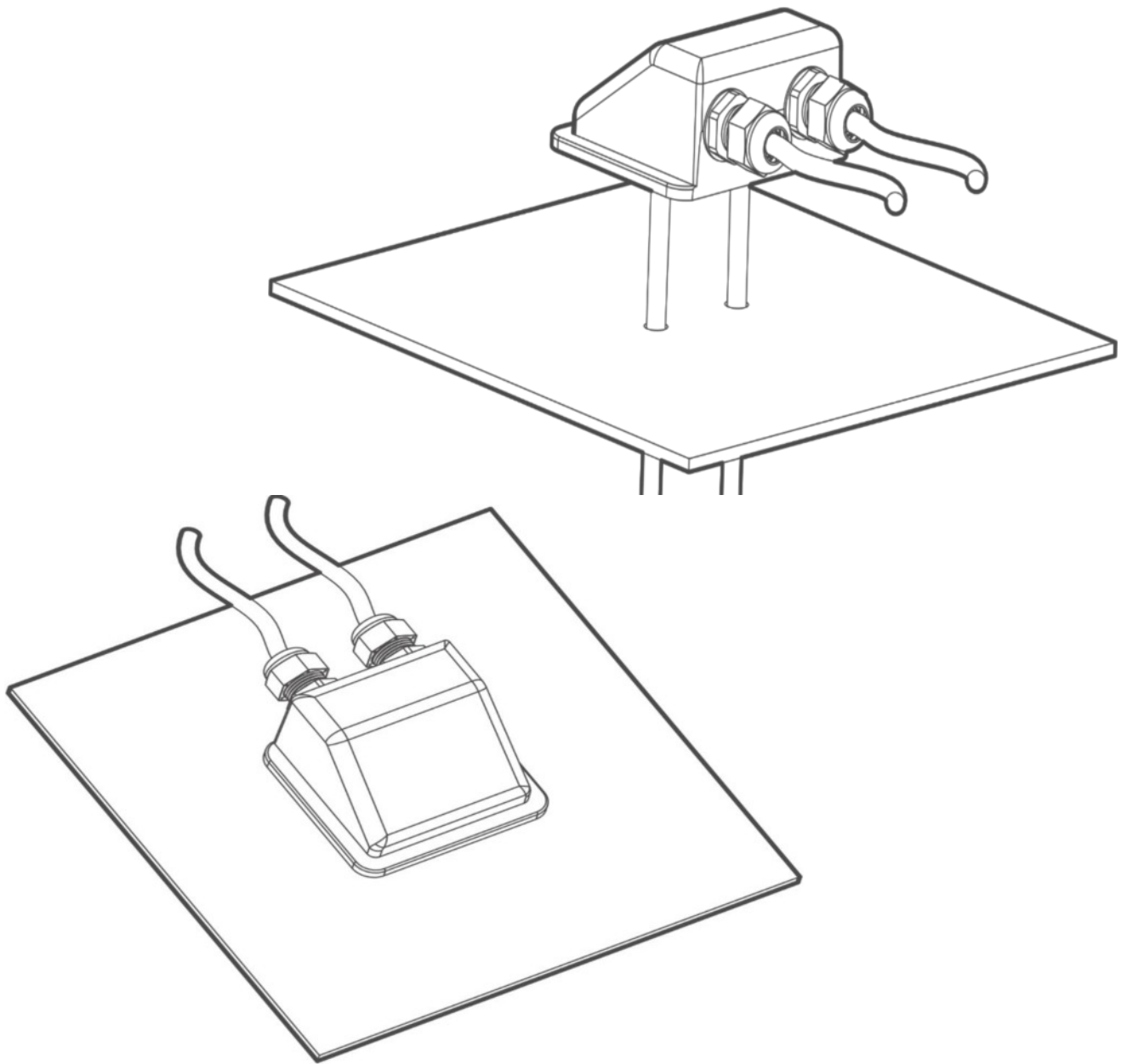
1. Feed the Cable through the gland



2. Use Bostik-360 Industrial Adhesive to mount



Finished



Registered office:

Sunshine Solar Limited

Unit 30, Ashwellthorpe Industrial Estate

Ashwellthorpe

Norwich

Norfolk

NR16 1ER

tel. +44 (0)1508 488188

email. support@sunshinesolar.co.uk

web. www.sunshinesolar.co.uk

