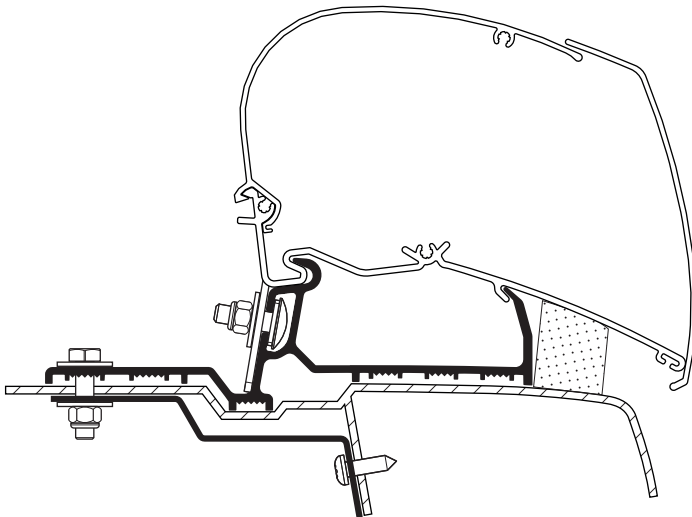


INSTALLATION

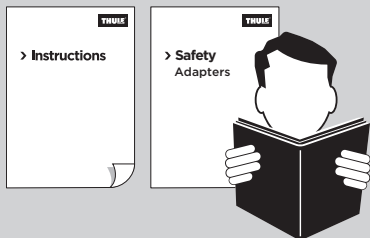
# ➤ Instructions

## Thule Adapter Roof Renault Master V2

302923







**DE** Adapter -  
Anleitung  
**NL** Adapter -  
Instructies  
**FR** Adaptateur -  
Instructions  
**IT** Adattatore -  
Istruzioni  
**ES** Adaptador -  
Instrucciones  
**SV** Adapter -  
Instruktioner  
**FI** Adapteri -  
Ohjeet  
**DA** Adapter -  
Instruktioner  
**NO** Adapter -  
Instruksjoner

**PL** Adapter -  
Instrukcje  
**PT** Adaptador -  
Instruções  
**CS** Adaptér -  
Návod  
**SL** Adapter -  
Navodila  
**TR** Adaptör -  
Taliimatlar  
**ZH** 适配器 -  
说明  
**JA** アダプター -  
取扱説明書  
**KO** 어댑터 -  
지침

## 1 WARNINGS & INFO

**4**

Warnungen & Infos / Waarschuwingen & info / Avertissements & informations / Avvertenze & informazioni / Advertencias & información / Varningar & information / Varoituksia & tietoja / Advarsler & info / Advarsler & information / Ostrzeżenia & informacje / Avisos e informações / Varování a informace / Opozorila in informacije / Uyarılar ve Bilgiler / 警告和信息 / 警告と情報 / 경고 및 정보

## 2 CONTENT

**6**

Inhalt / Inhoudsopgave / Sommaire / Contenuto / Contenido / Innehåll / Sisällys / Indhold / Innhold / Treść / Índice / Obsah / Kazalo / İçerik / 目录 / 目次 / 목차

## 3 TOOLS

**6**

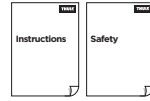
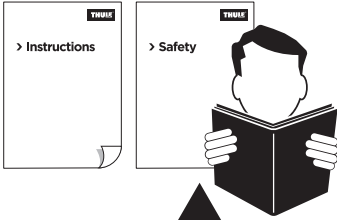
Werkzeuge / Gereedschappen / Outils / Strumenti / Herramientas / Verktøy / Työkalut / Værktøj / Verktøy / Narzędzia / Ferramentas / Nářadí / Orodja / Aletler / 工具 / ツール / 도구

## 4 INSTALLATION

**7**

Montage / Installatie / Installation / Installazione / Instalación / Montering / Asennus / Montering / Montering / Montaj / Instalação / Montáž / Nameštitev / Montaj / 安装 / 取り付け / 설치

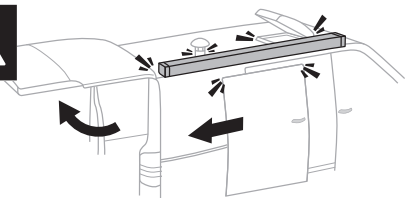
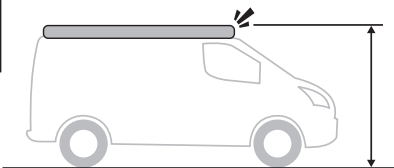
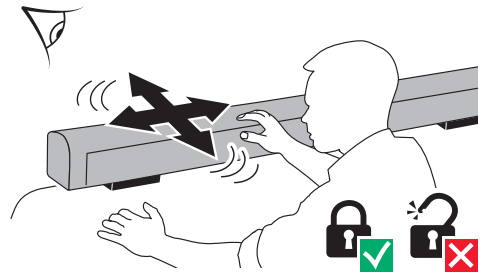
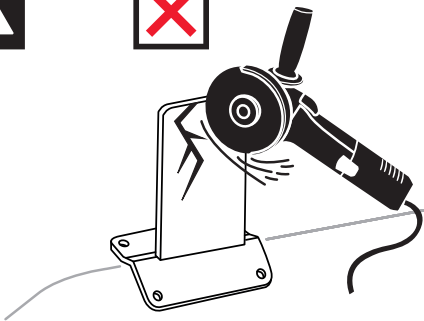
# 1 WARNINGS & INFO

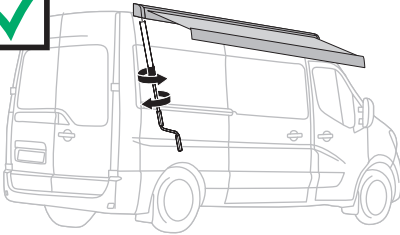
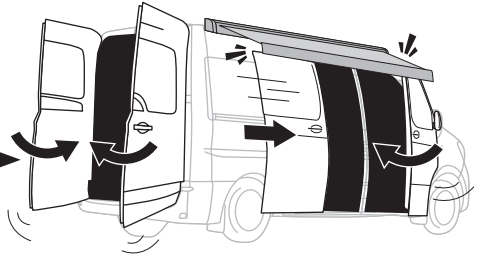
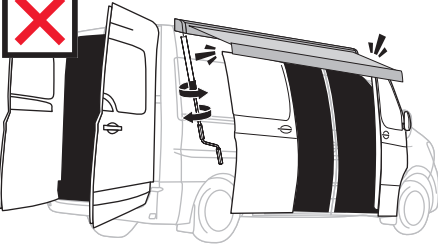


OK



NOK





**ACTIVATOR SIKA 205**



**ANTI-CORROSION**



**GLUE SIKA 252**



**DEGREASER**

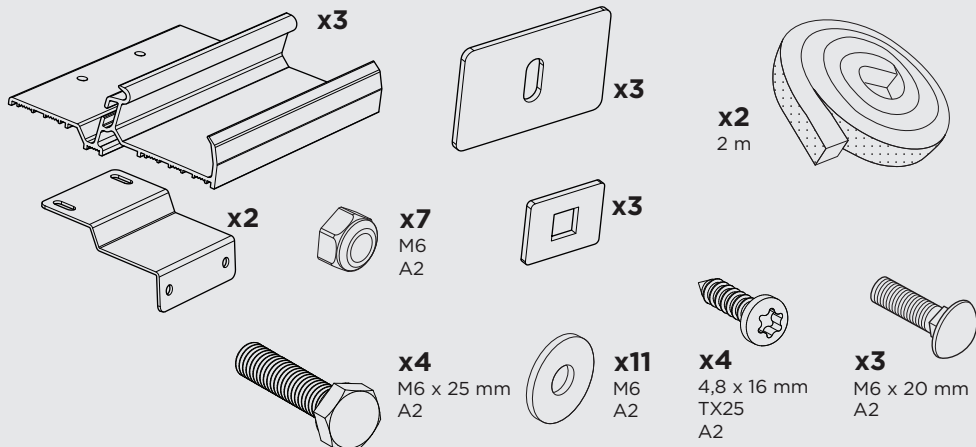


**SAND PAPER P60**

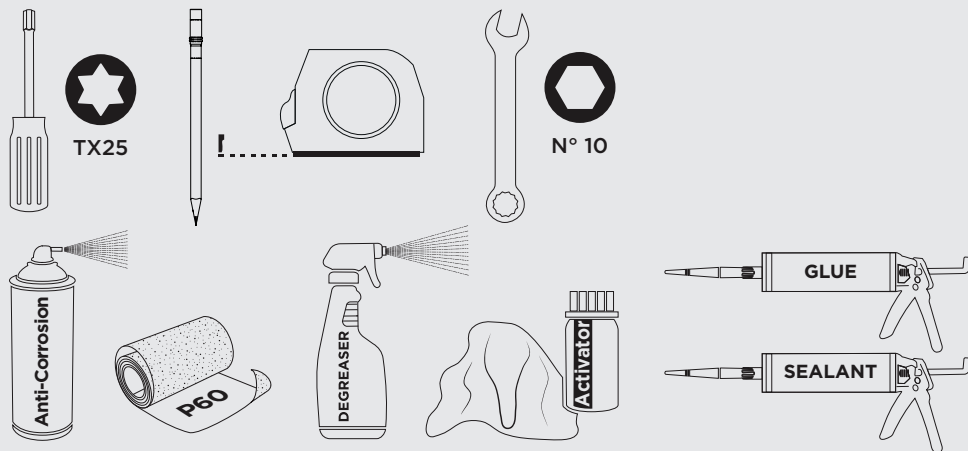


**SEALANT SIKA 221**

## 2 CONTENT

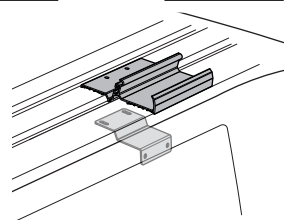
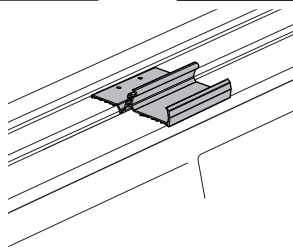
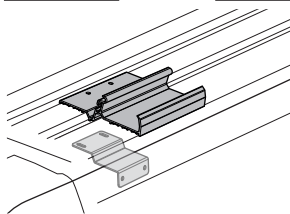
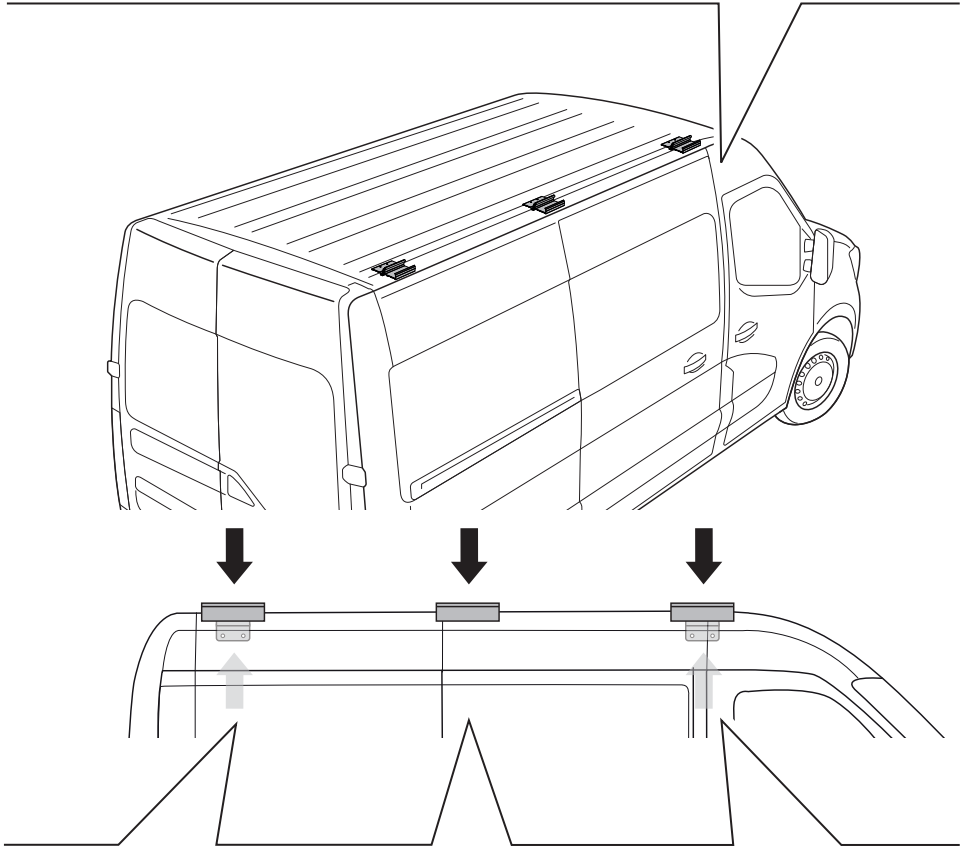
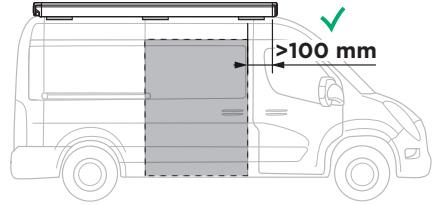
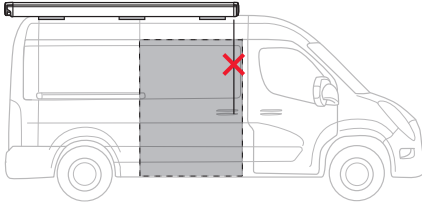


## 3 TOOLS

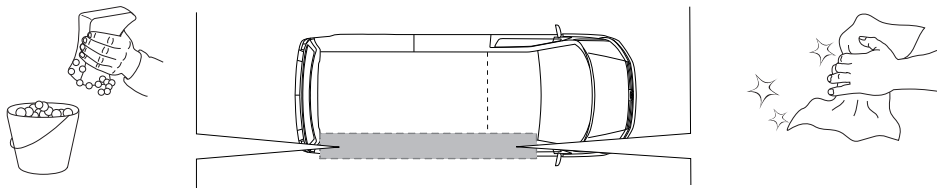


# 4 INSTALLATION

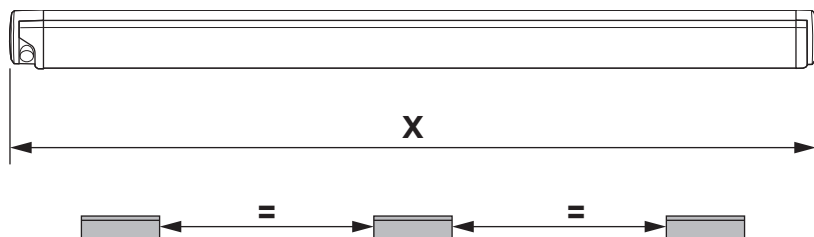
**i**



1



2



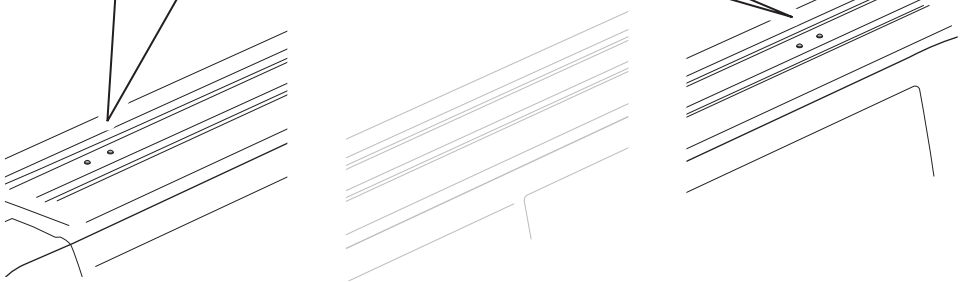
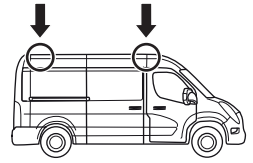
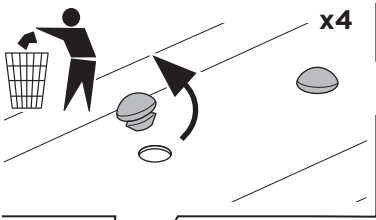
AWNING	VEHICLE	LENGTH AWNING (X)
TO 6300	L2H2	3,25 m
	L3H2	3,75 m
	L4H2	4,00 m



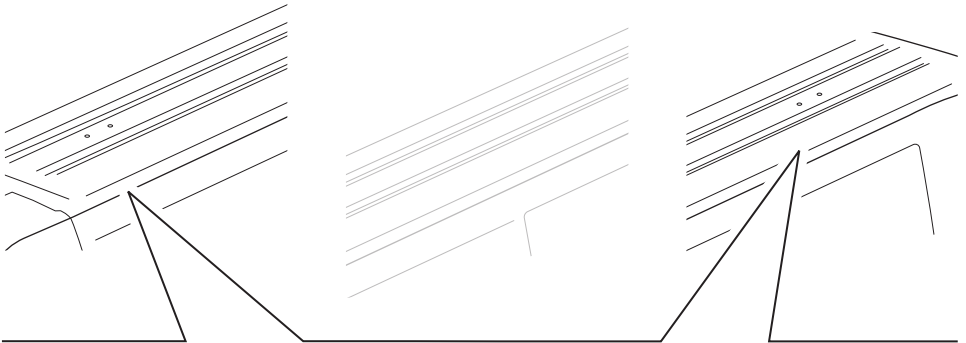
3



A



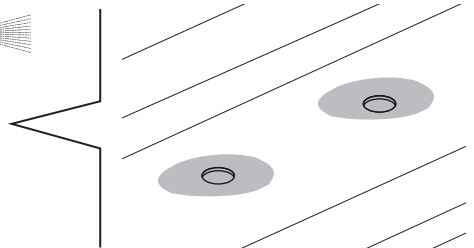
B



1



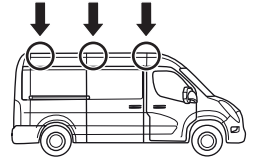
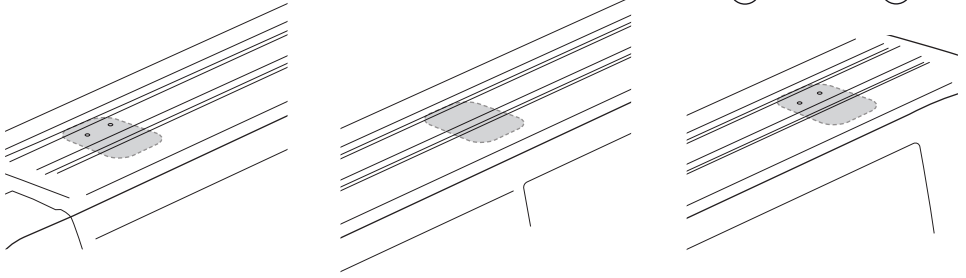
2



4



x3



1



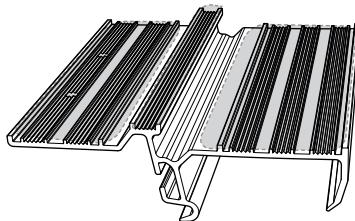
2



3



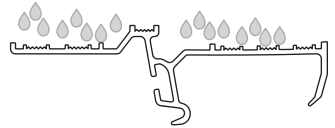
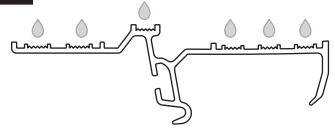
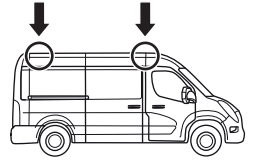
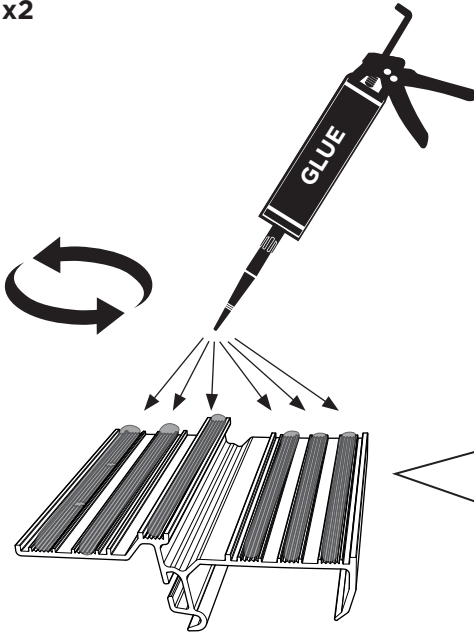
x3



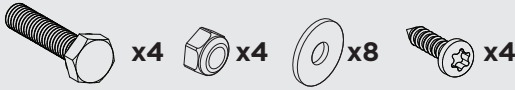
5



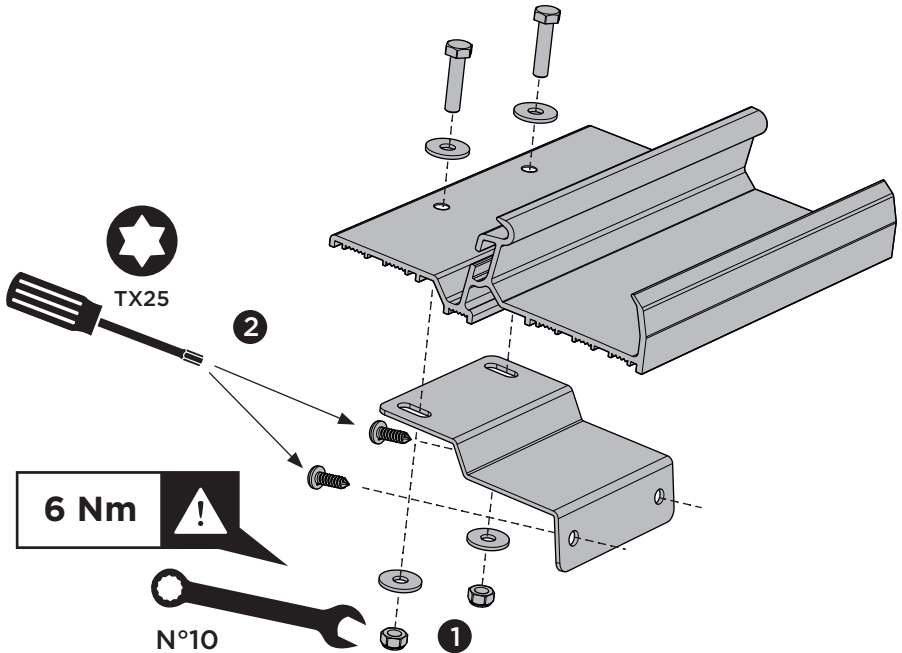
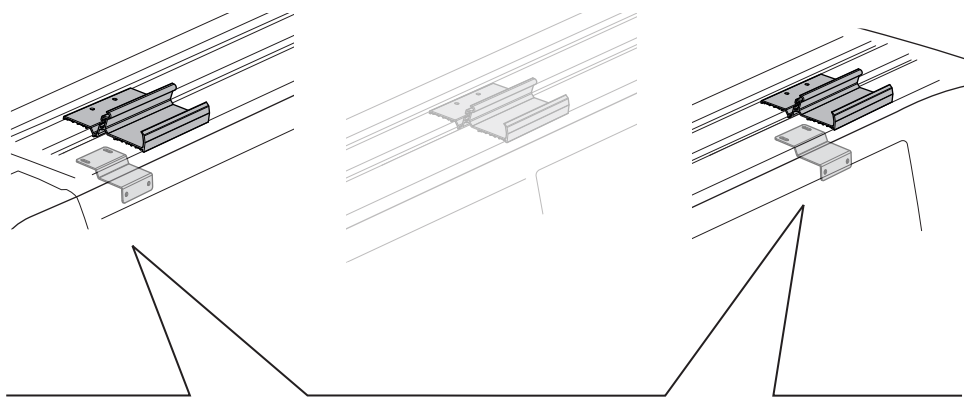
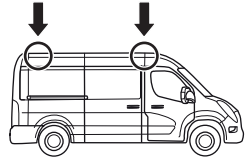
x2



**6**



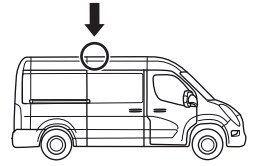
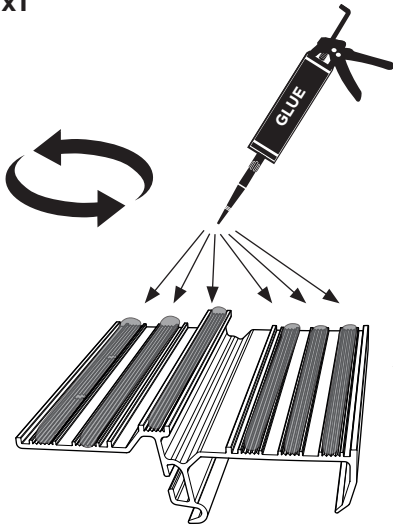
x2



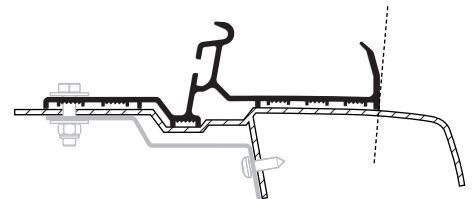
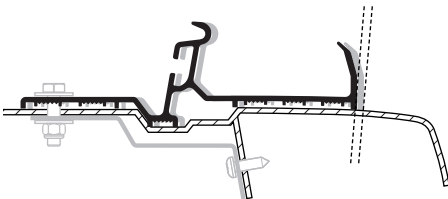
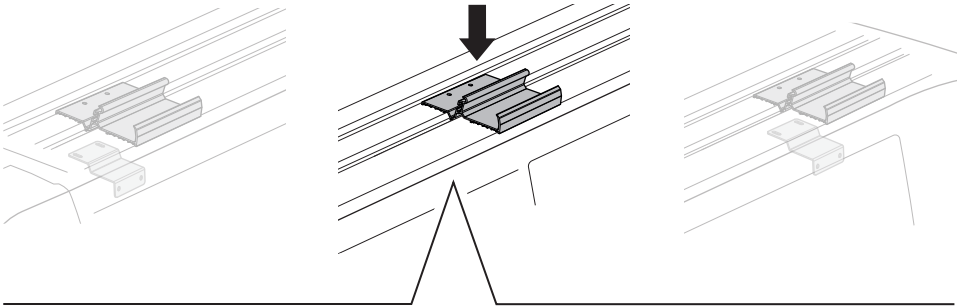
7



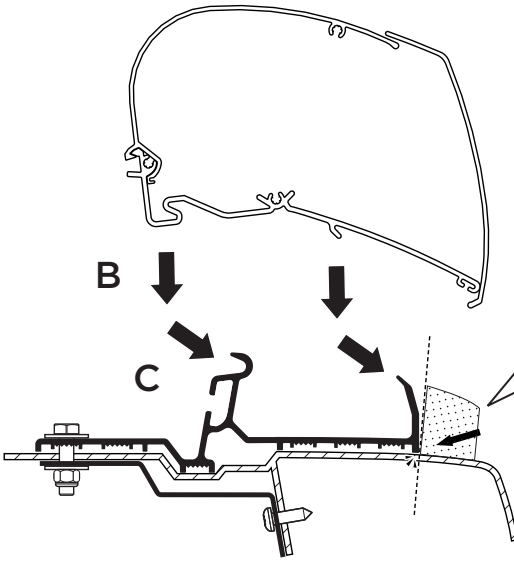
A x1



B



8

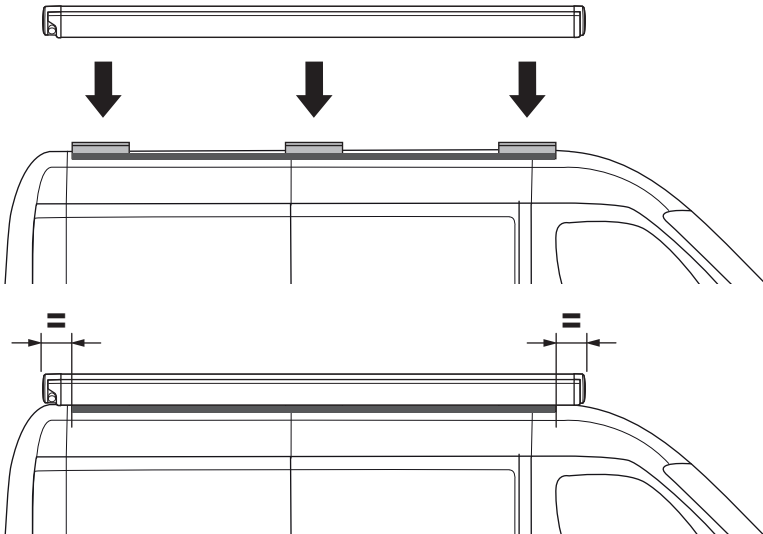
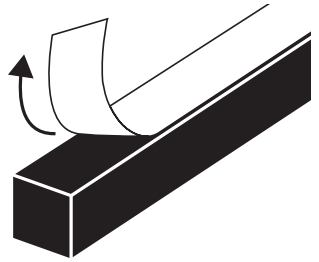


A

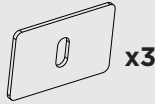
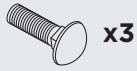
1



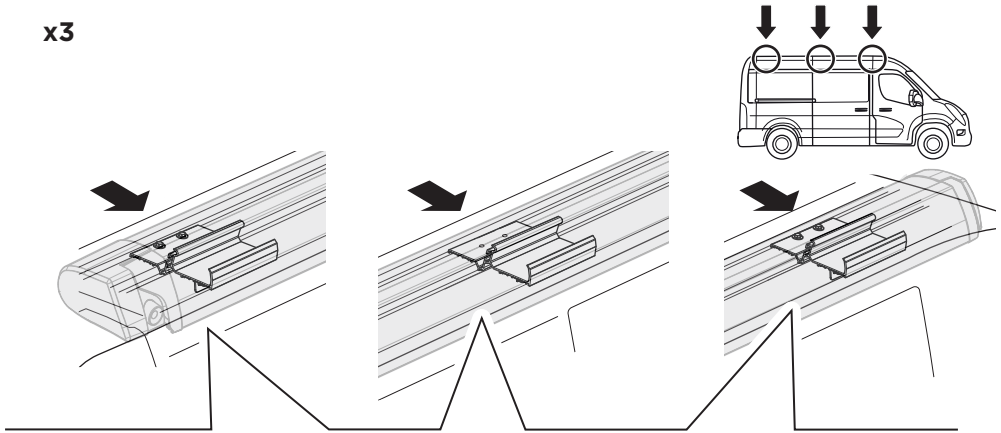
2



9



x3

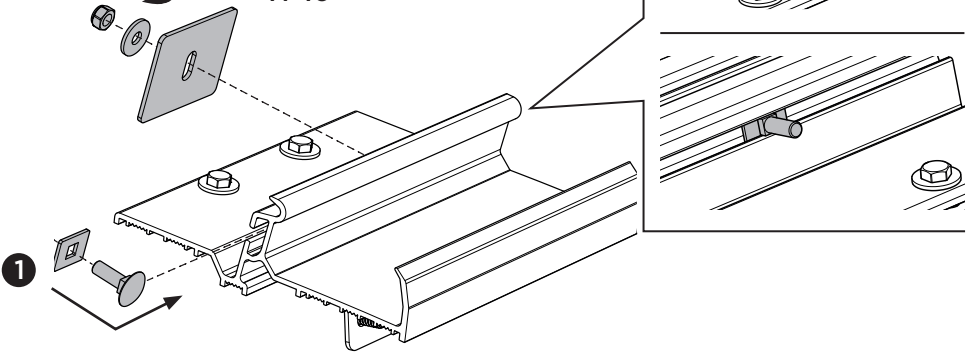


6 Nm

2



1



10

