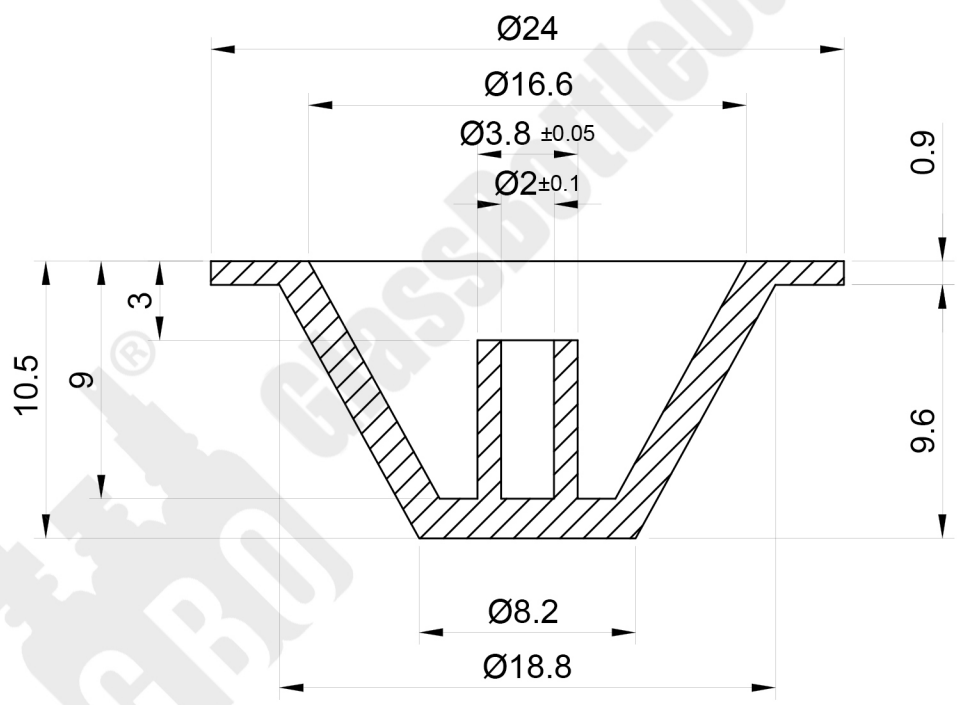
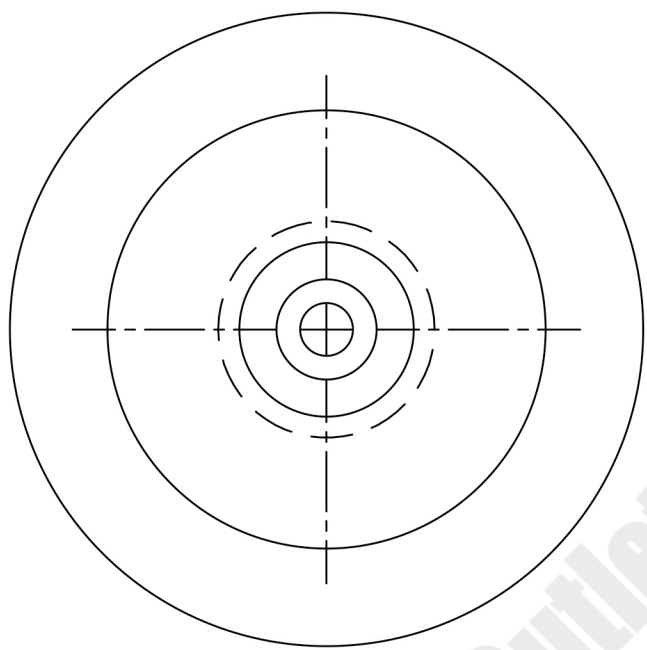


1	2	3	4
RevNo	Revision note	Date	Signature
			Checked

A
B
C
D
E
F



NOTES: 1) ALL DIMENSIONS ARE IN MM.
 2) THREADING : 8 TPI
 3) ALL TOLERANCE ±0.20mm. UNLESS SPECIFIED

	ALL DIMENSIONS ARE IN MM	Date: 22/09/2019	Material :	Scale: NTS
Redacted Supplier Information		28 Neck Polycone		
MODEL No. :			Edition 1/1	Sheet 1/1