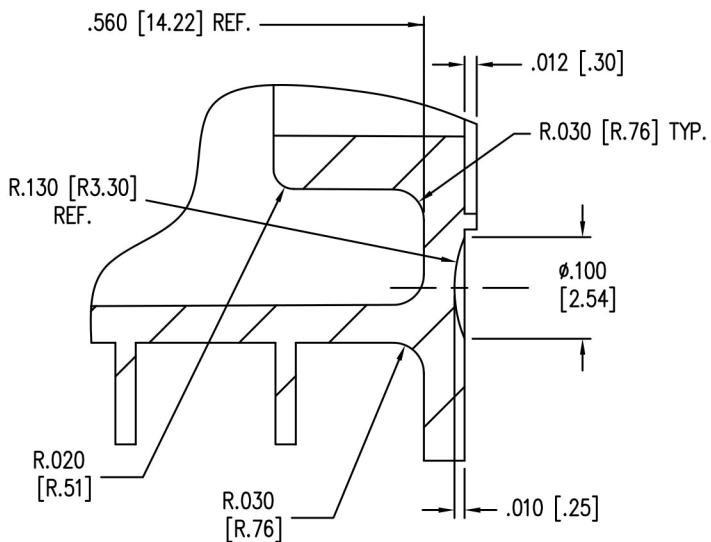
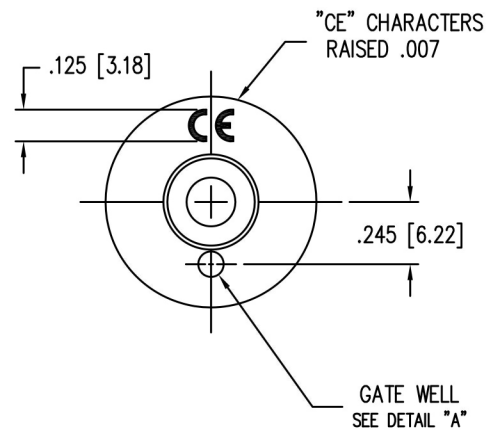
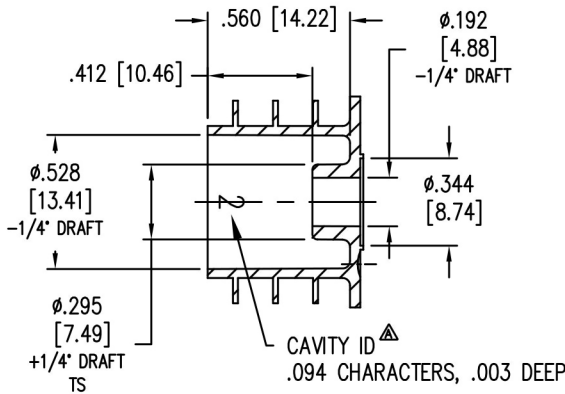
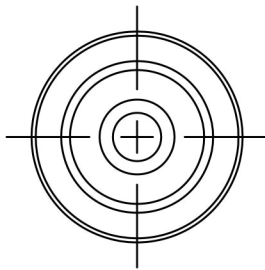
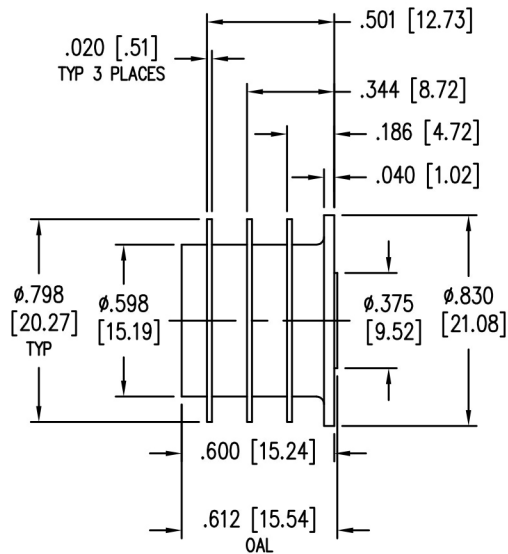


NOTES:

1. EST WEIGHT: 1.2 GRAMS ±0.2 GRAMS
2. DIMENSION SHOWN IN [] ARE EXPRESSED AS MILLIMETERS



DETAIL "A"
SCALE: 8:1



| | | | |
|-------------|------|------------------------------|-------|
| DESCRIPTION | | 24mm PRESS IN BOTTLE ADAPTER | |
| MATERIAL | LDPE | CUSTOMER | STOCK |
| SCALE | | | 2:1 |