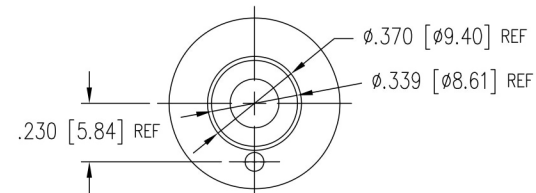
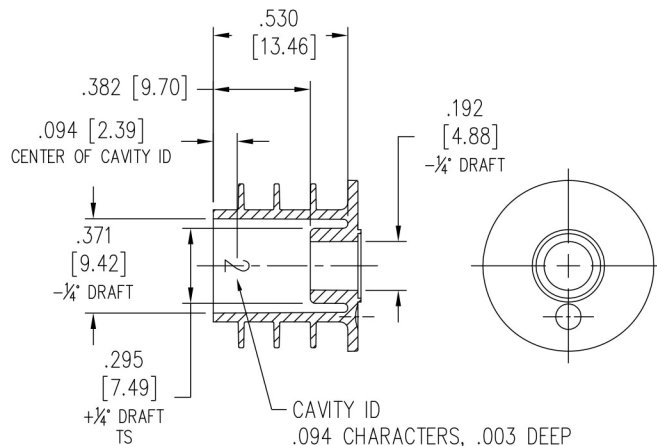
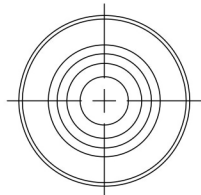
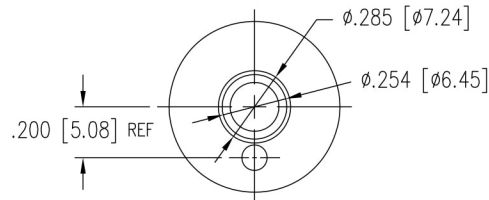


NOTES:

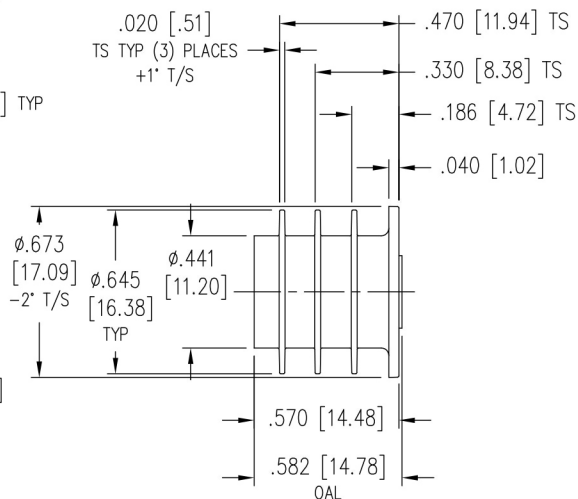
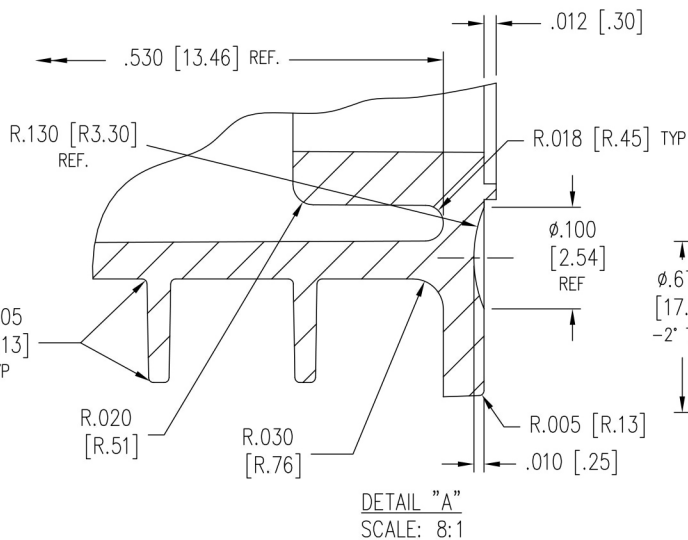
1. GRAM WEIGHT: 0.81 GRAMS ±0.2 GRAMS
2. DIMENSION SHOWN IN [] ARE EXPRESSED AS MILLIMETERS



GATE & RING DETAIL
MOLD BASE 1121 & 1197



GATE & RING DETAIL
MOLD BASE 1163



DESCRIPTION			
20mm PRESS IN BOTTLE ADAPTER			
MATERIAL	CUSTOMER	SCALE	
LDPE	STOCK	2:1	