

| OPERATION WHEN DIRECTLY CONNECTED TO CHIMNEY | |
|--|----------------------|
| Tested according to | EN 13229 |
| Nominal heat power | 13 kW |
| Efficiency | > 80 % |
| Consumption of wood | 3,7 kg/h |
| Mass flow of flue gas | 9,7 g/s |
| Average flue gas temperature on the output | 332 °C |
| Heat distribution | |
| fireplace insert | 48 % |
| door glass (single / double) | 52 / - % |
| Required chimney pressure | 12 Pa |
| Required amount of combustion air | 40 m ³ /h |
| Minimum supply air grating cross-section | 1050 cm ² |
| Minimum outgoing air grating cross-section | 1250 cm ² |

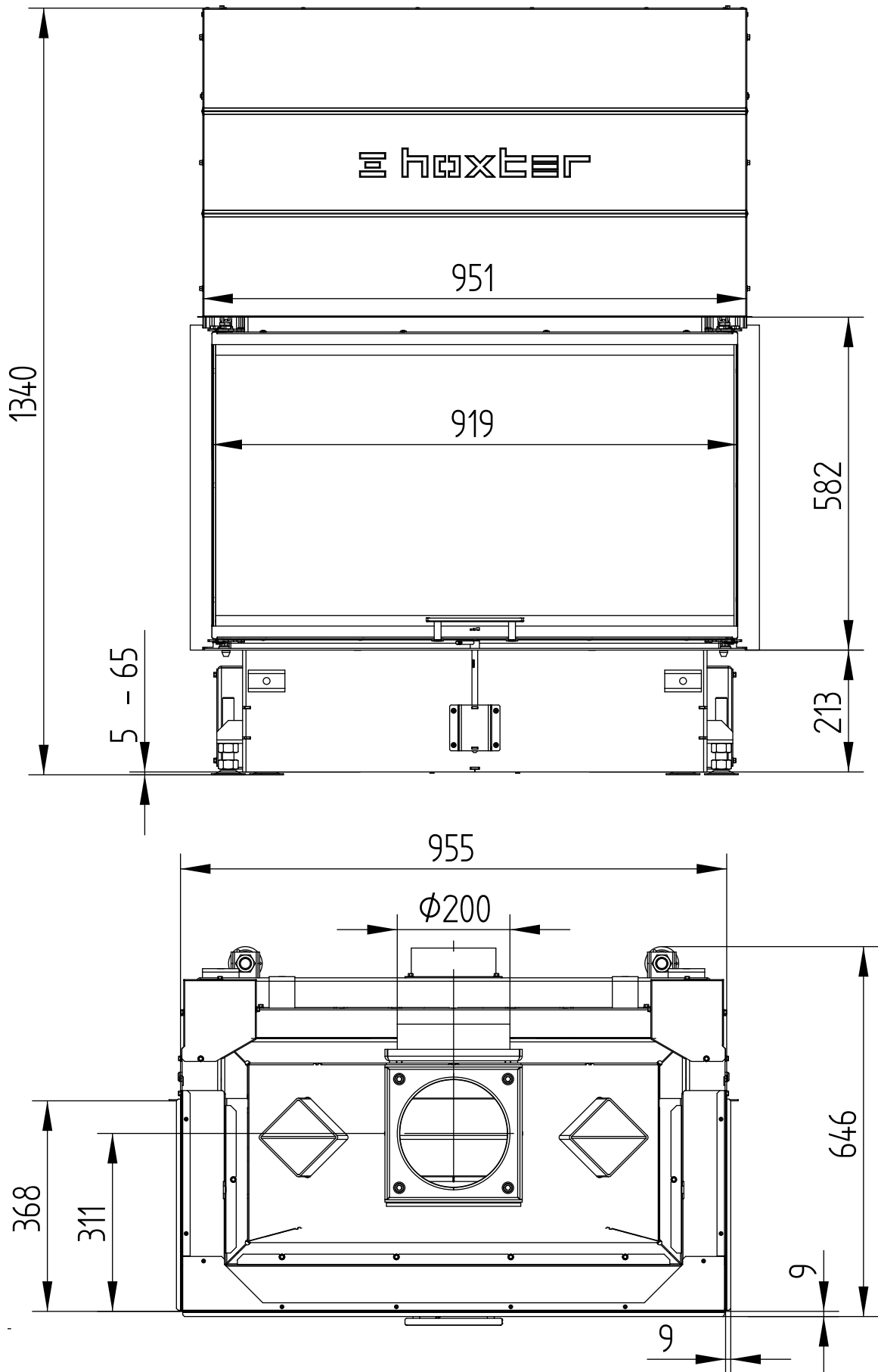
| OPERATION WITH CONNECTED ACCUMULATION MASS | |
|---|----------------------|
| Load of wood | 5 kg |
| Total heat output of the burning chamber | 20 kW |
| Mass flow of flue gas | 15 g/s |
| Average flue gas temperature on the output ¹⁾ past 2,4 m of ceramic accumulation system KMS 300 ²⁾ | 369 °C 233 °C |
| Heat distribution | |
| fireplace insert | 35 % |
| door glass (single / double) | 52 / - % |
| adjoining accumulation mass | 13 % |
| Required chimney pressure | 12 Pa |
| Minimum radiant area ³⁾ | ca. 5 m ² |
| Required amount of combustion air | 50 m ³ /h |

| GENERAL TECHNICAL INFORMATION | |
|--|---------------------------|
| Combustion air connection | Ø 150 mm |
| Total weight / lining weight | ca. 326 / 89 kg |
| Use in non-ventilated accumulation builds according to craft rules | suitable |
| Meets values | BlmSchV (Stufe2), 15a BVG |

- 1) The Hoxter products are available in the Austrian stove-calculation program for evaluation of firebrick accumulation systems.
- 2) Only a sample calculation! For accurate results is evaluation of each system in the KMS-calculation program from the Ortner company necessary.
- 3) Depends on accumulation period and material characteristics and its thickness. Calculated with heat emission of the radiant area ca. 500 W/m².hr

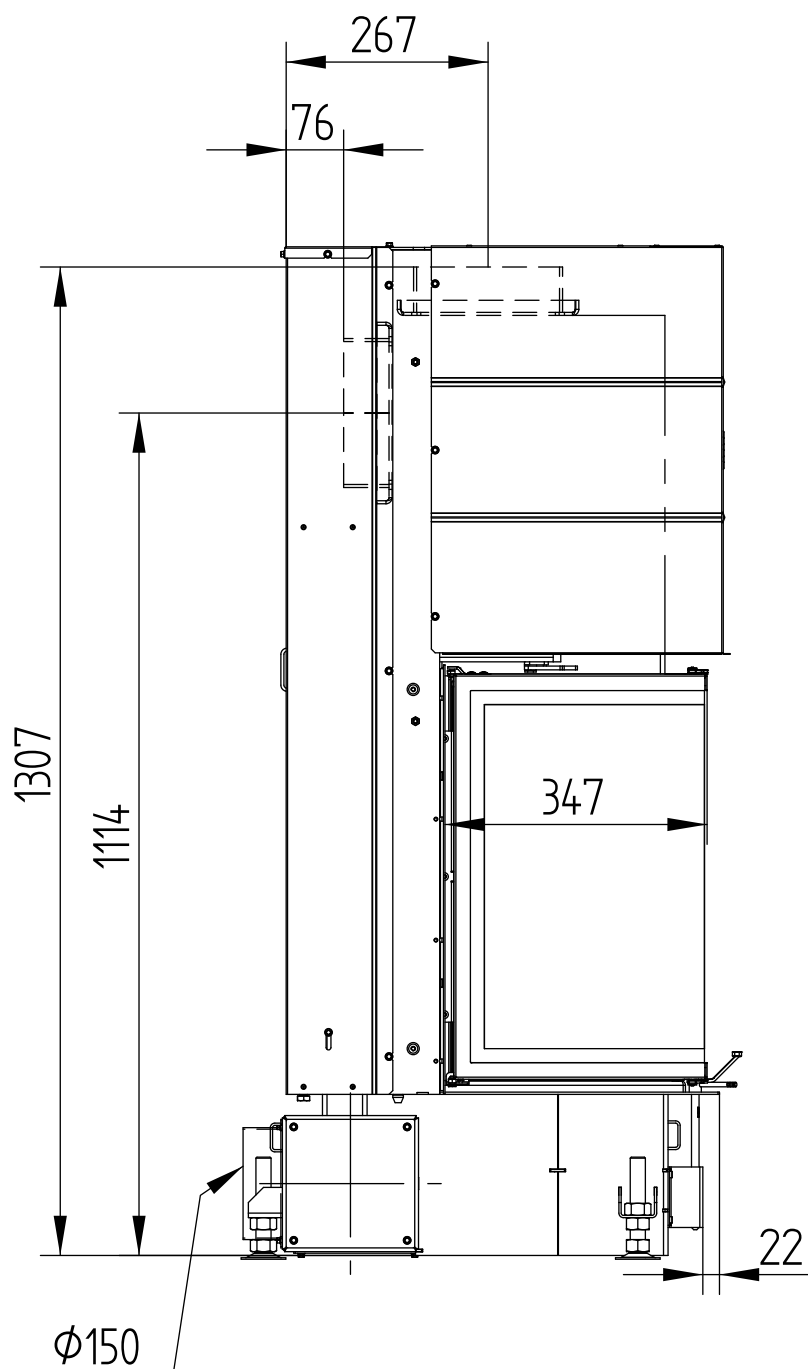
UKA 37/95/37/57h

Technical data
Version 04/2017



UKA 37/95/37/57h

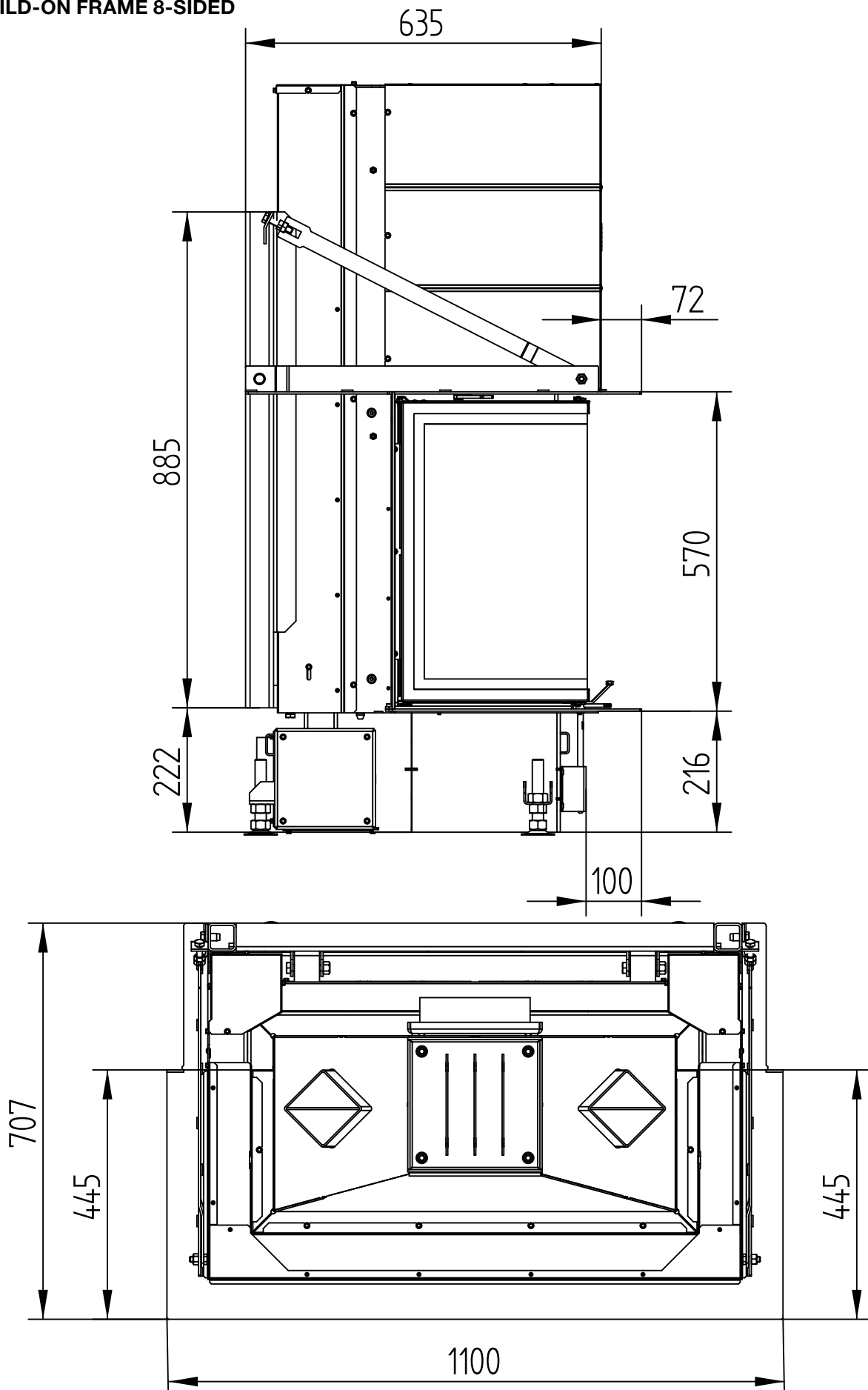
Technical data
Version 04/2017



UKA 37/95/37/57h

Technical data
Version 04/2017

BUILD-ON FRAME 8-SIDED



UKA 37/95/37/57h

Technical data
Version 04/2017

BUILD-ON FRAME 3-SIDED

