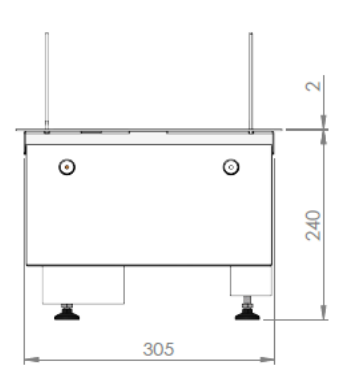
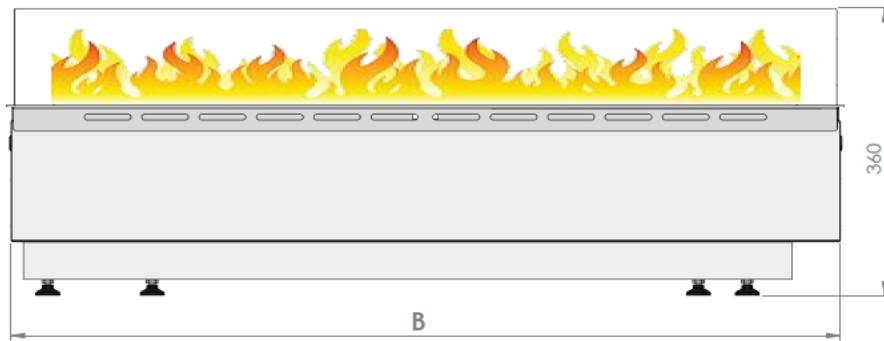
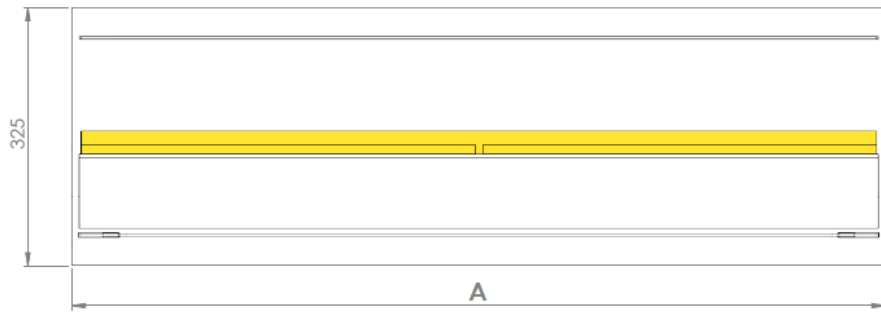


Magic-Fire[®]

by safretti



Technical specifications mistero	Ventilation	Power consumption	Power supply	Weight	Water reservoir	Burning time	Dimensions	
							A	B
Mistero 500	Requires a minimum of 210 cm ² free ventilation	225-240 Watt	220-240 Volt	13,5 kg	1 x 2 Liters	8 hours on 2 Liters	515 mm	508 mm
Mistero 1000	Requires a minimum of 420 cm ² free ventilaton	450-480 Watt	220-240 Volt	27 kg	2 x 2 Liters	8 hours on 4 Liters	1023 mm	1017 mm
Mistero 1500	Requires a minimum of 630 cm ² free ventilation	675-720 Watt	220-240 Volt	40,5 kg	3 x 2 Liters	8 hours on 6 Liters	1534 mm	1522 mm
Mistero 2000	Requires a minimum of 840 cm ² free ventilation	900-960 Watt	220-240 Volt	54 kg	4 x 2 Liters	8 hours on 8 Liters	2054 mm	2030 mm

It is still very important to read the manual, and follow the instructions precisely.