

	operation when directly connected to chimney		operation when connected accumulation mass	
	cupola	hot air exchanger	cupola	adaptor
Energy label	<b>A+</b>	<b>A</b>	<b>A</b>	<b>A</b>
<b>Operating data</b>				
Nominal heat power	8 kW	12 kW	----	----
Efficiency	> 80 %	> 80 %	----	----
Consumption of wood	2,4 kg/h	3,5 kg/h	5,5 kg	5,1 kg
Total heat output of the burning chamber	----	----	22 kW	19 kW
Mass flow of flue gas	8 g/s	10 g/s	20 g/s	12,8 g/s
Required chimney pressure	12 Pa	12 Pa	12 Pa	15 Pa
Required amount of combustion air	20 m <sup>3</sup> /h	30 m <sup>3</sup> /h	60 m <sup>3</sup> /h	50 m <sup>3</sup> /h
<b>Average flue gas temperature</b>				
on the output	230 °C	277 °C	382 °C	360 °C
past 3,6 m of ceramic accumulation system KMS 300 <sup>1</sup>	----	----	180 °C	----
past accumulation rings (5x acc. ring Ø440mm)	----	----	----	181 °C
<b>Heat distribution</b>				
fireplace insert	65–82 %	65–82 %	40 %	35 %
door glass (single / double)	35 / 18 %	35 / 18 %	35 / 18 %	35 / 18 %
adjoining accumulation mass	----	----	25–42 %	30–47 %
<b>Information for ventilated builds</b>				
Minimal grill area supply / outgoing	900 / 1050 cm <sup>2</sup>	1200 / 1400 cm <sup>2</sup>	1200 / 1400 cm <sup>2</sup>	1200 / 1400 cm <sup>2</sup>
Minimum distance from insulated areas / floor	80 / 0 mm		80 / 0 mm	
Reference insulation <sup>2</sup> ceiling / back wall / side wall / floor	120 / 80 / 80 / 0 mm		120 / 80 / 80 / 0 mm	
Calciumsilicate insulation <sup>3</sup> ceiling / back wall / side wall / floor	90 / 60 / 60 / 0 mm		90 / 60 / 60 / 0 mm	
<b>Information for non-ventilated builds (closed grills)</b>				
Minimum radiant area <sup>4</sup>	3,5 m <sup>2</sup>		5 m <sup>2</sup>	
Minimum distance from insulated areas / floor	80 / 20 mm		80 / 20 mm	
Reference insulation <sup>2</sup> ceiling / back wall / side wall / floor	160 / 100 / 100 / 20 mm		160 / 100 / 100 / 20 mm	
Calciumsilicate insulation <sup>3</sup> ceiling / back wall / side wall / floor	120 / 75 / 75 / 20 mm		120 / 75 / 75 / 20 mm	
<b>General technical information</b>				
Total weight / lining weight	ca. 290 / 104 kg		ca. 290 / 104 kg	
Burning chamber dimensions (width x depth)	590 x 315 mm			
Combustion air connection	Ø 125 mm			
Use in non-ventilated accumulation builds according to craft rules	suitable			
Tested according to	EN 13229			
Meets values	1. BlmSchV (Stufe2), 15a BVG, NS 3059			

**1** Listed value from testing. For accurate results is evaluation of each system in the Ortner / KOV program necessary.

**2** Mineral wool according to AGI-Q 132

**3** Example SkamoEnclousure Board 225 kg/m<sup>3</sup>

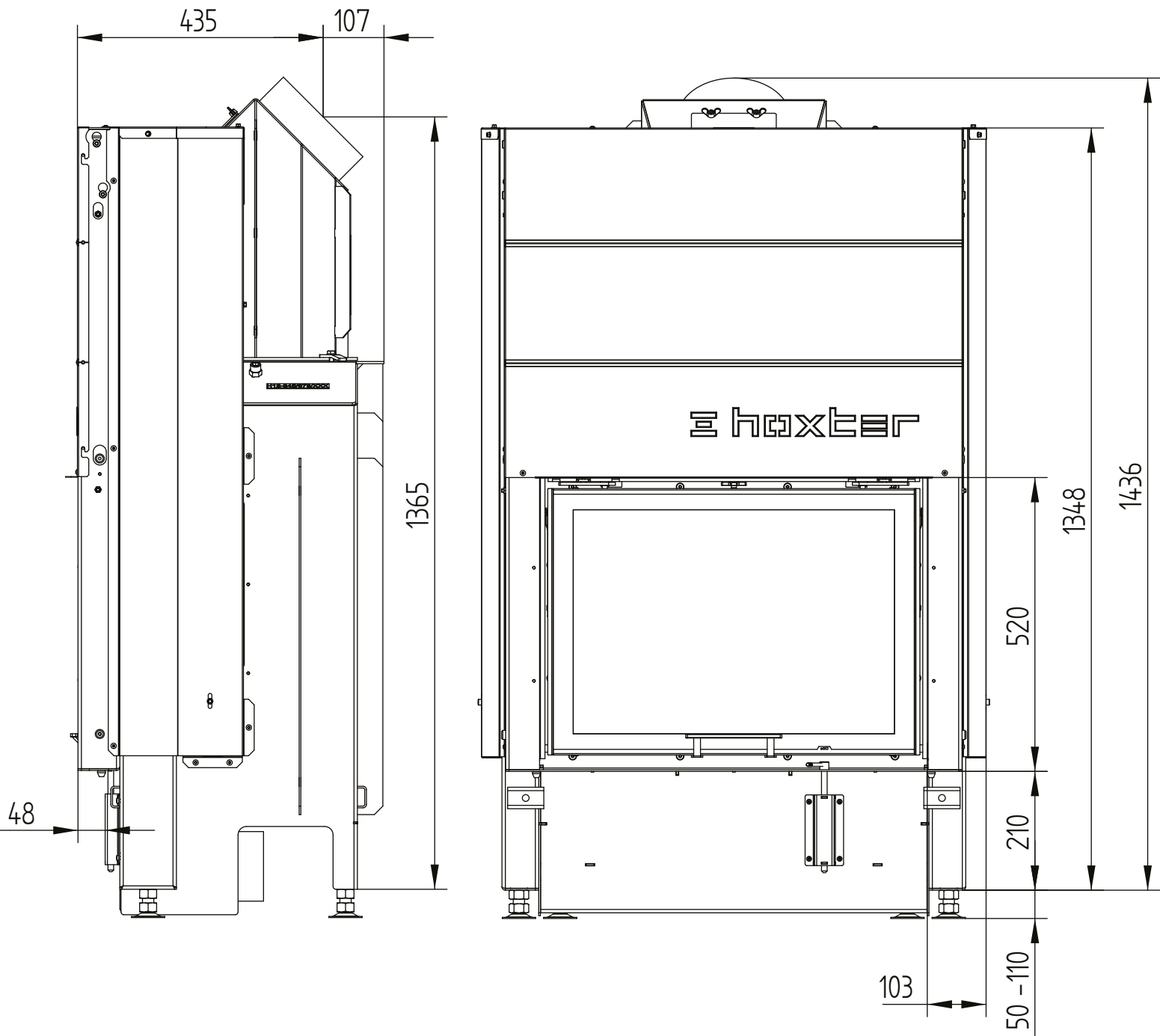
**4** Depends on accumulation period and material characteristics. Listed values calculated with chamotte stone thickness 30 mm with radiant area 500 W/m<sup>2</sup>

# HAKA 67/51

Technical data  
Version 2019/08

hot air exchanger 45°

M 1:10

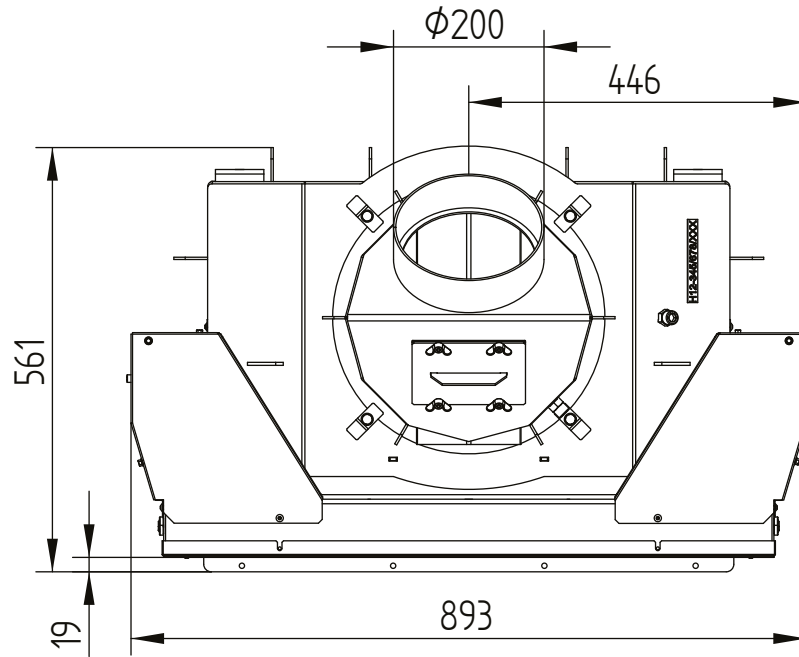


# HAKA 67/51

Technical data  
Version 2019/08

hot air exchanger 45°

M 1:10

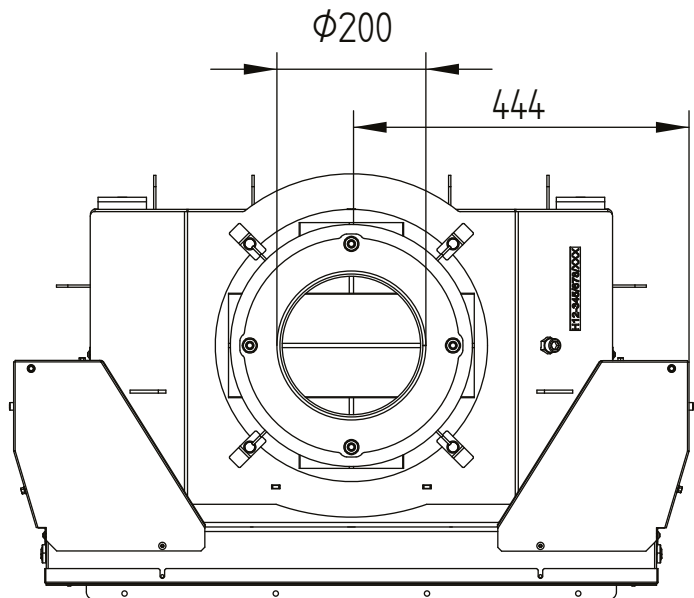
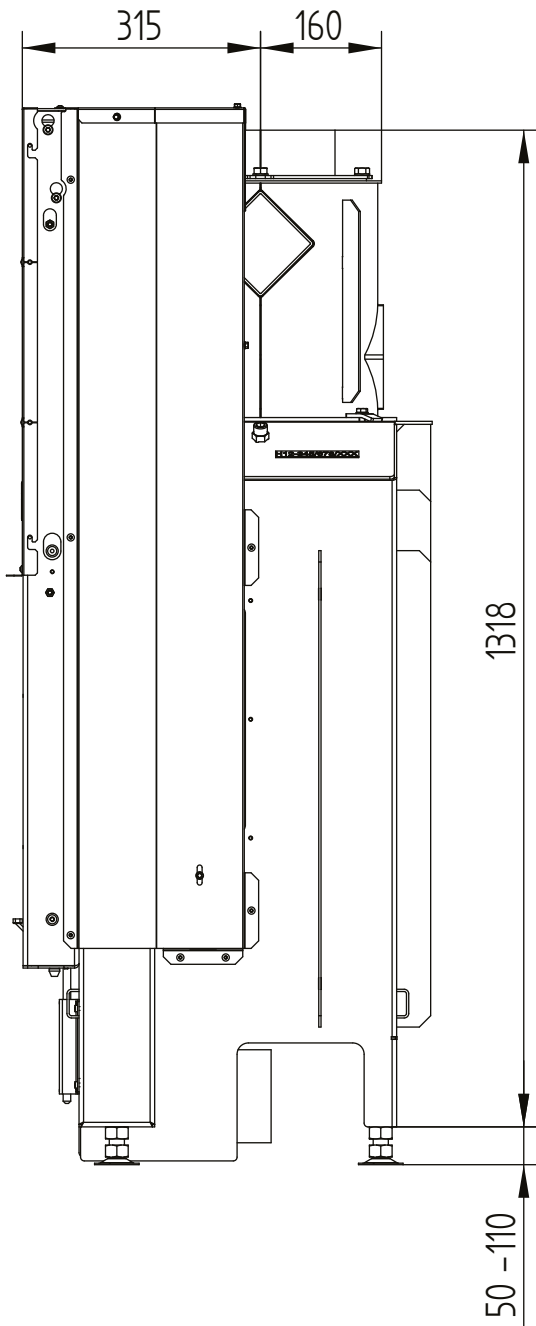


# HAKA 67/51

Technical data  
Version 2019/08

hot air exchanger vertical

M 1:10

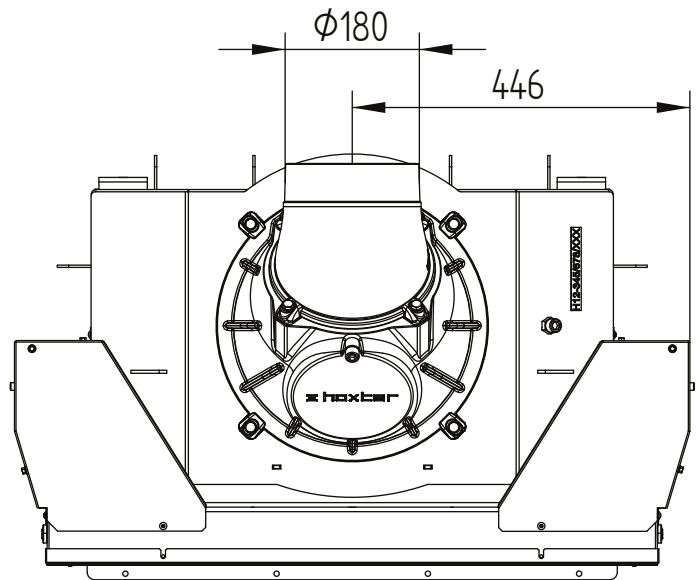
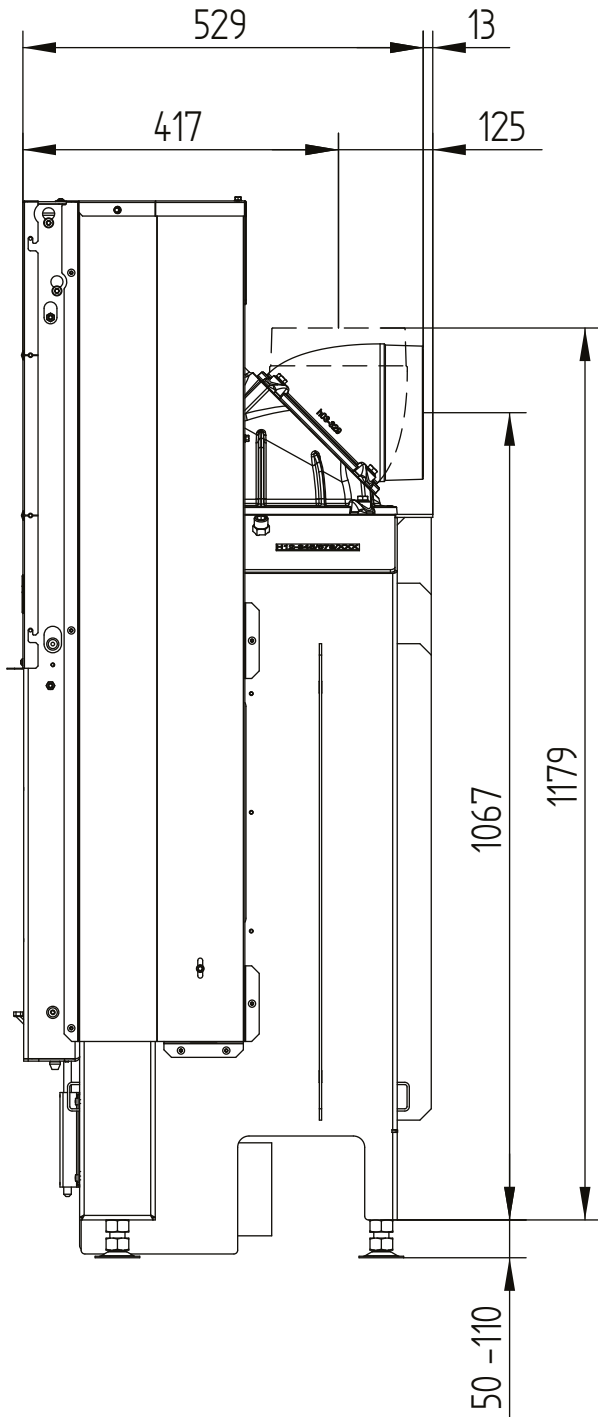


# HAKA 67/51

Technical data  
Version 2019/08

liftdoor cupola

M 1:10

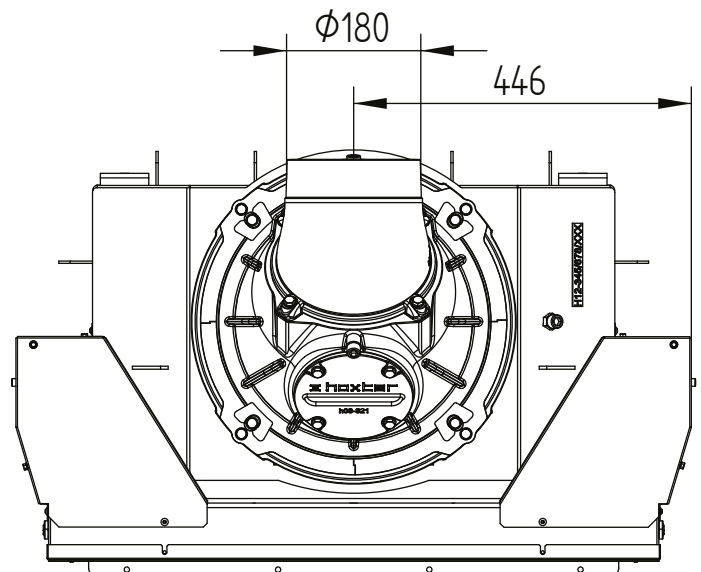
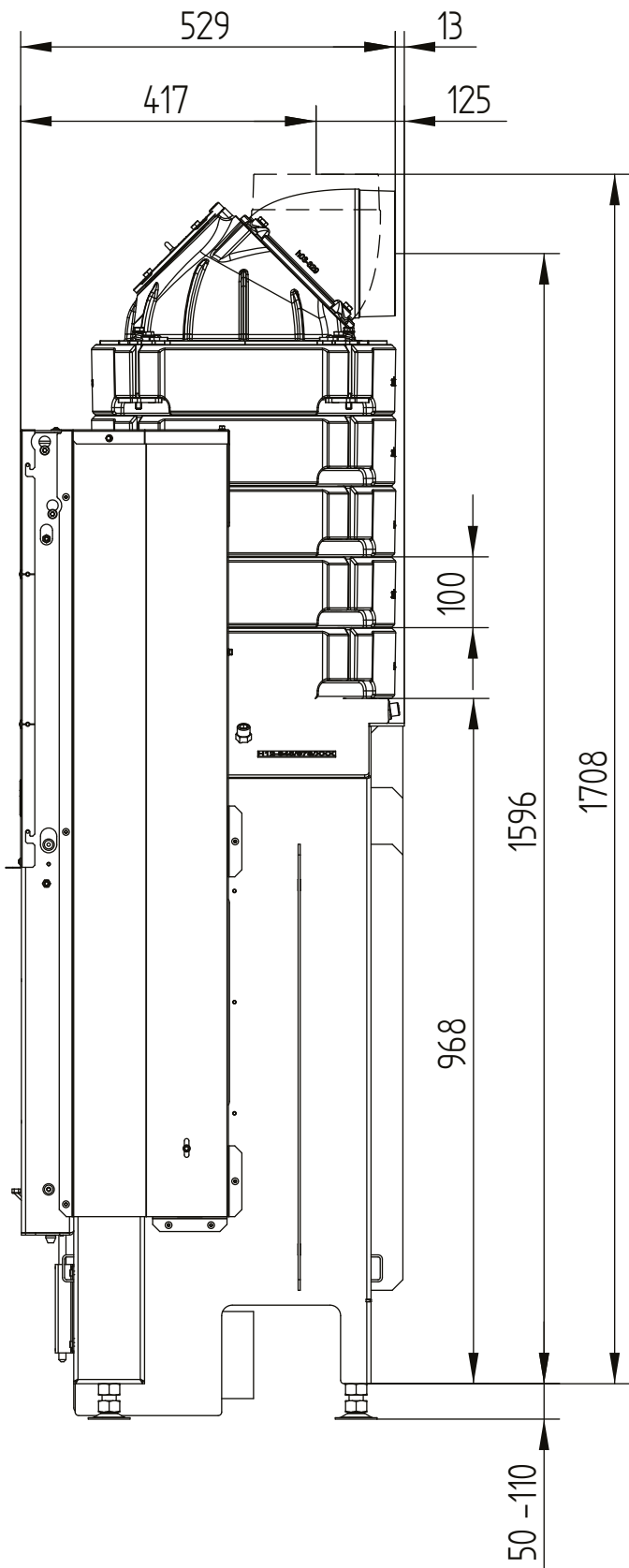


# HAKA 67/51

Technical data  
Version 2019/08

liftdoor accumulation rings

M 1:10

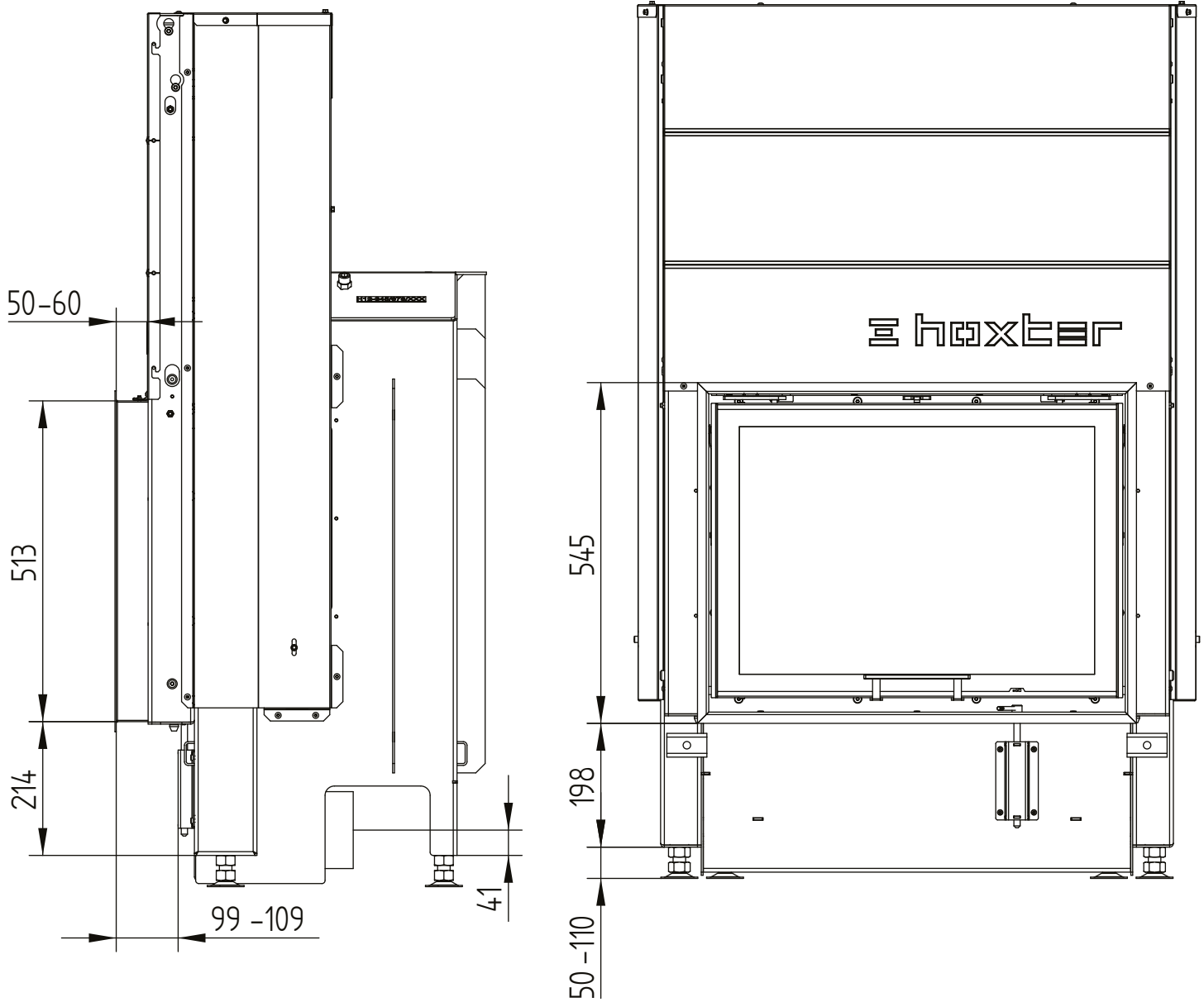


# HAKA 67/51

Technical data  
Version 2019/08

cover frame 67/51h liftdoor 4sides 50 mm 1 x 90° / air intake

M 1:10

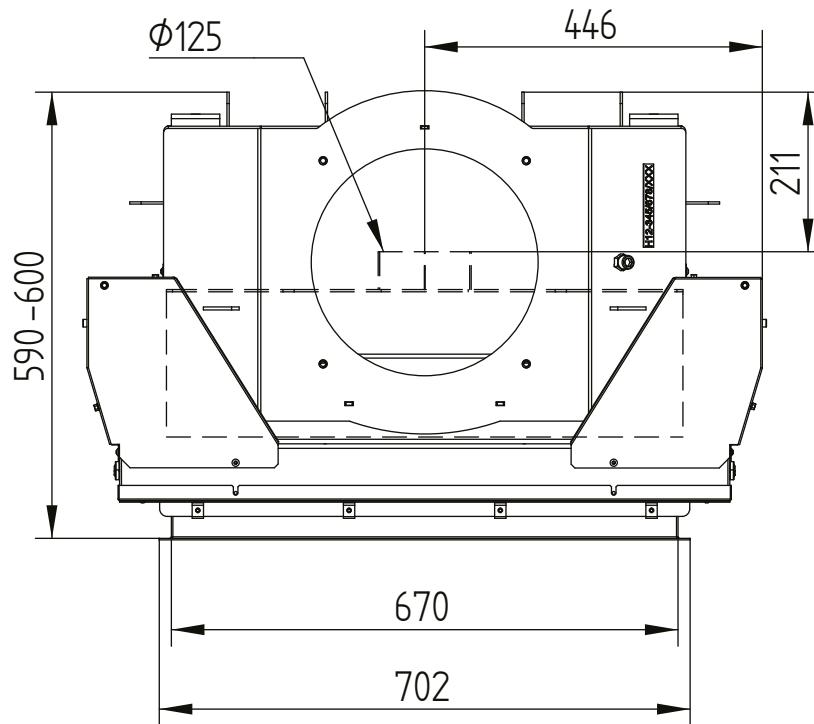


# HAKA 67/51

Technical data  
Version 2019/08

cover frame 67/51h liftdoor 4sides 50 mm 1 x 90° / air intake

M 1:10



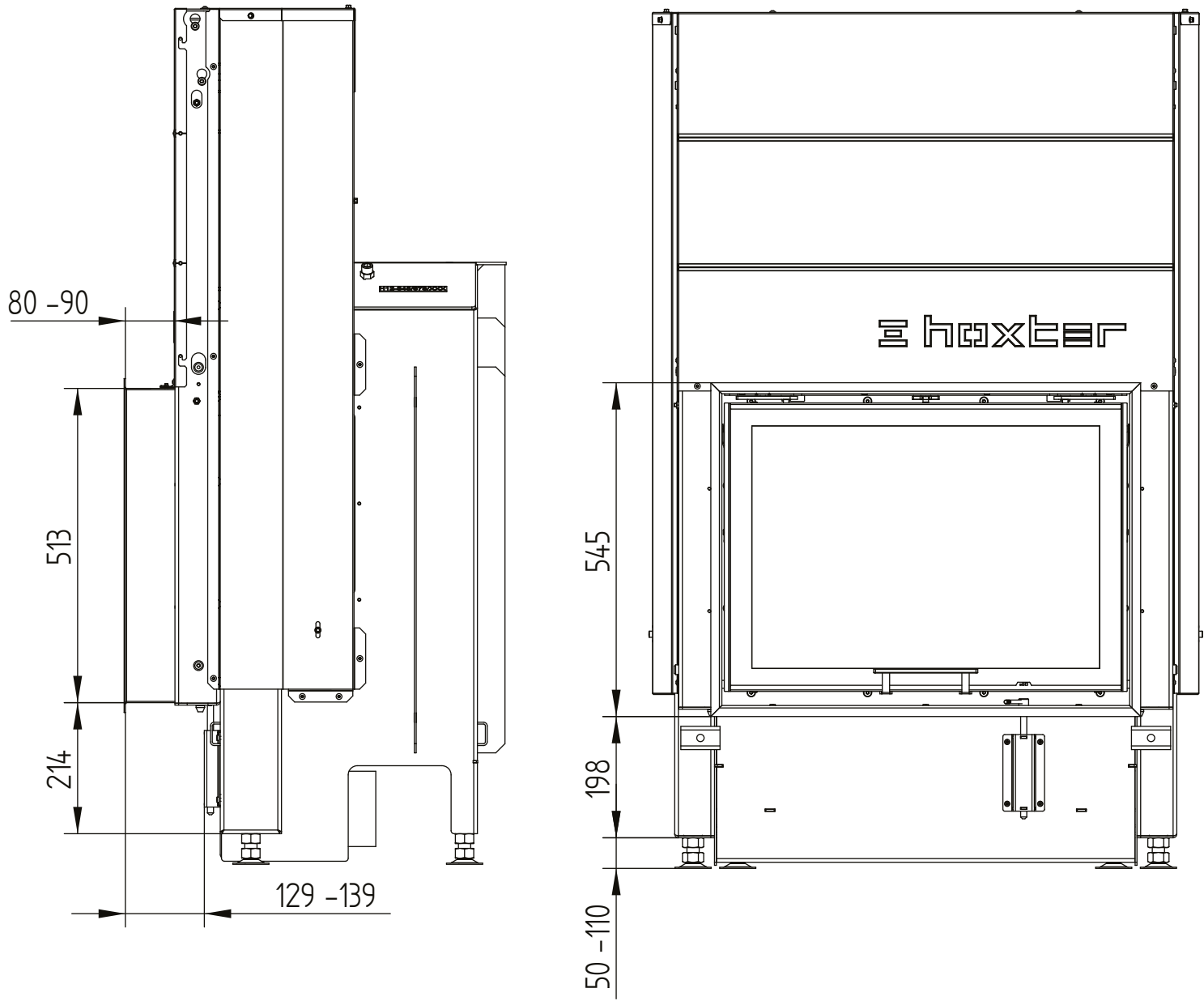


# HAKA 67/51

Technical data  
Version 2019/08

cover frame 67/51h liftdoor 4sides 80 mm 1 x 90°

M 1:10

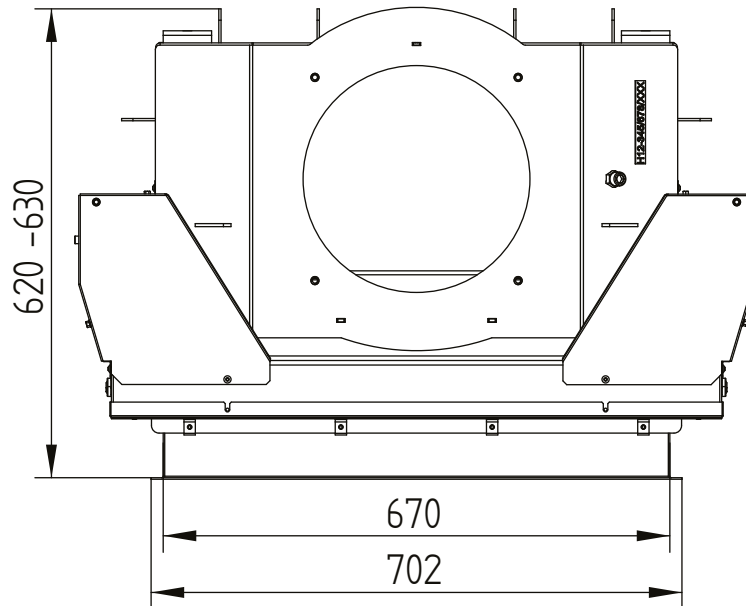


# HAKA 67/51

Technical data  
Version 2019/08

cover frame 67/51h liftdoor 4sides 80 mm 1 x 90°

M 1:10

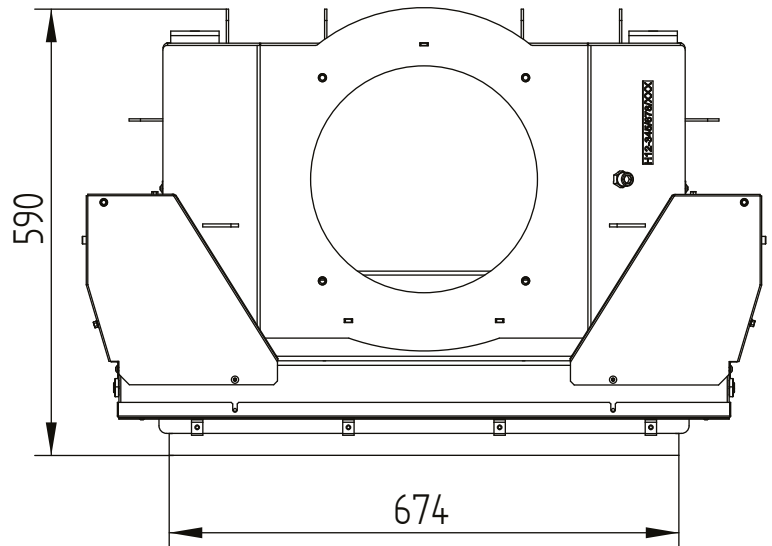
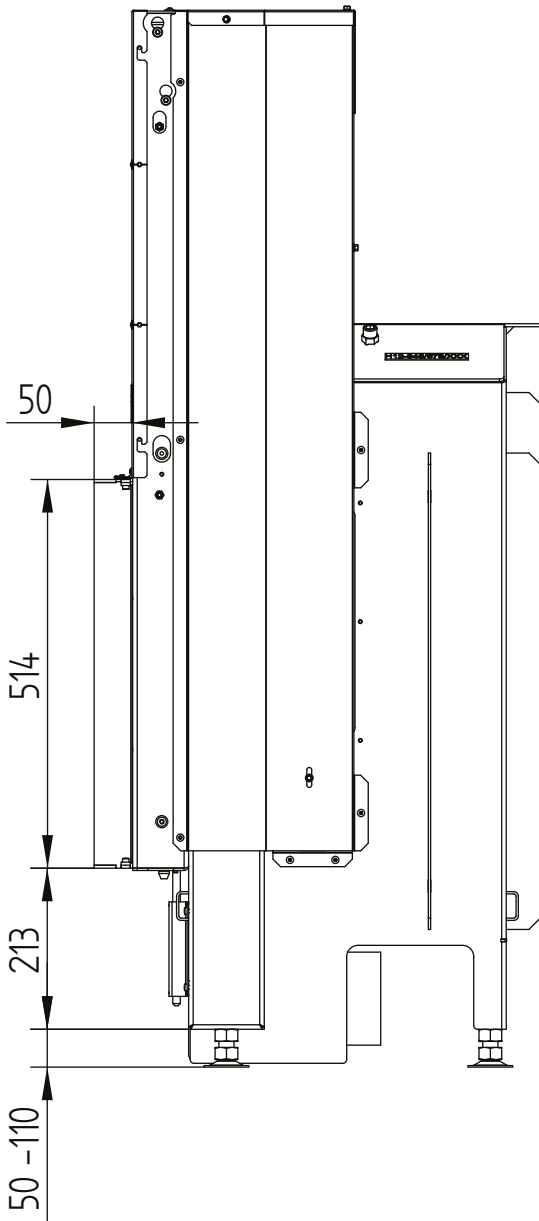


# HAKA 67/51

Technical data  
Version 2019/08

build-on frame 67/51h liftdoor 4sides 50 mm

M 1:10

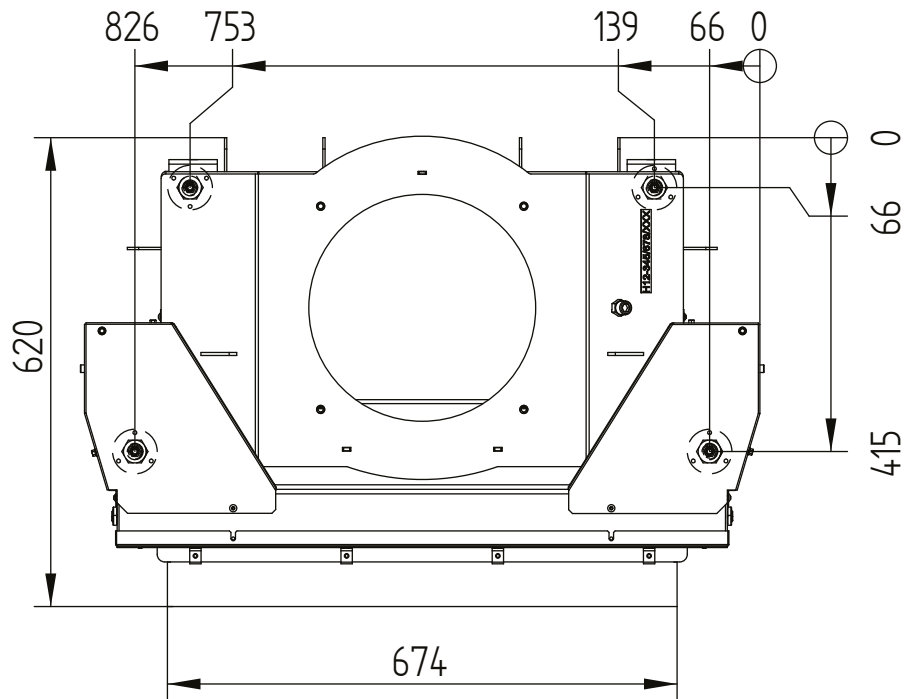
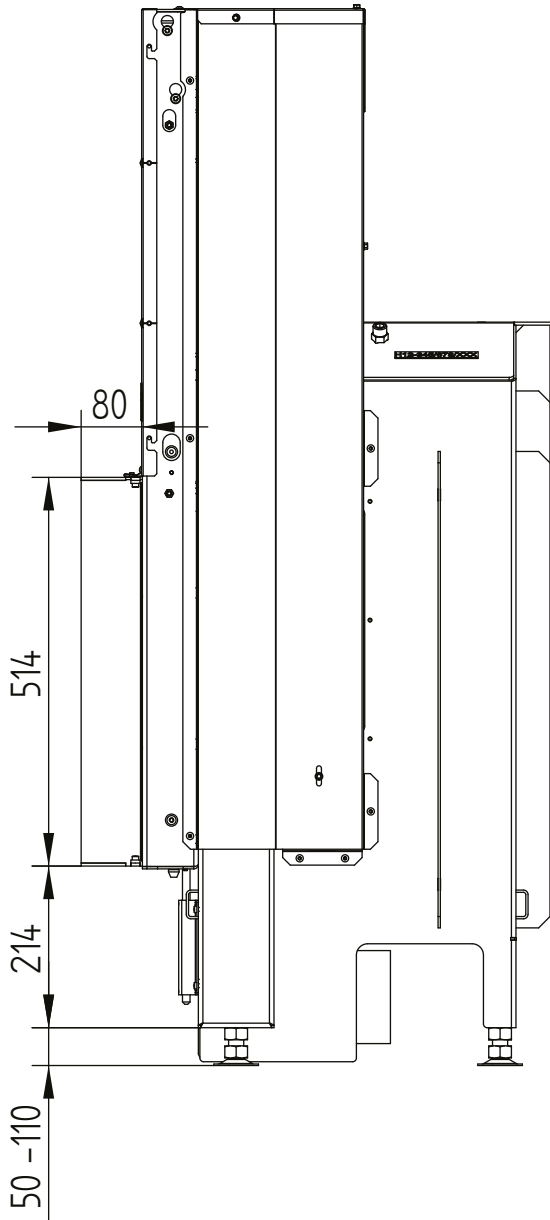


# HAKA 67/51

Technical data  
Version 2019/08

build-on frame 67/51h liftdoor 4sides 80 mm / feet

M 1:10



# HAKA 67/51

Technical data  
Version 2019/08

build-on frame 67/51h liftdoor 3sides 80 mm

M 1:10

