

ECKA 80/35/50SL left

Technical data

Version 2020/08

	operation when directly connected to chimney	operation when connected accumulation mass	
	A	A	A
Energy label	A	A	A
Operating data			
Nominal heat power	9 kW	----	----
Efficiency	> 80 %	----	----
Consumption of wood	2,6 kg/h	5 kg	4,5 kg
Total heat output of the burning chamber	----	20 kW	18 kW
Mass flow of flue gas	9 g/s	17 g/s	15 g/s
Required chimney pressure	12 Pa	12 Pa	15 Pa
Required amount of combustion air	25 m ³ /h	50 m ³ /h	45 m ³ /h
Average flue gas temperature			
on the output	280 °C	380 °C	370 °C
past 2,5 of ceramic accumulation system KMS 240 ¹	----	230 °C	----
past S-accumulation rings (5x S-acc. ring Ø345mm)	----	----	250 °C
Heat distribution			
fireplace insert	60–70 %	37 %	37 %
door glass (single / double)	40 / 30 %	40 / 30 %	40 / 30 %
adjoining accumulation mass	----	23–33 %	23–33 %
Information for ventilated builds			
Minimal grill area supply / outgoing	800 / 900 cm ²	800 / 900 cm ²	800 / 900 cm ²
Minimum distance from insulated areas / floor	50 / 0 mm	50 / 0 mm	
Reference insulation ² ceiling / back wall / side wall / floor	120 / 80 / 80 / 0 mm	120 / 80 / 80 / 0 mm	
Calciumsilicate insulation ³ ceiling / back wall / side wall / floor	90 / 60 / 60 / 0 mm	90 / 60 / 60 / 0 mm	
Information for non-ventilated builds (closed grills)			
Minimum radiant area ⁴	4 m ²	4 m ²	
Minimum distance from insulated areas / floor	50 / 20 mm	50 / 20 mm	
Reference insulation ² ceiling / back wall / side wall / floor	160 / 100 / 100 / 20 mm	160 / 100 / 100 / 20 mm	
Calciumsilicate insulation ³ ceiling / back wall / side wall / floor	120 / 75 / 75 / 20 mm	120 / 75 / 75 / 20 mm	
General technical information			
Total weight / lining weight	ca. 280 / 70 kg	ca. 280 / 70 kg	
Burning chamber dimensions (width x depth)	650 x 210 mm		
Combustion air connection	Ø 125 mm		
Use in non-ventilated accumulation builds according to craft rules	suitable		
Tested according to	EN 13229		
Meets values	1. BlmSchV (Stufe2), 15a BVG		

1 Listed value from testing. For accurate results is evaluation of each system in the Ortnr / KOV program necessary.

2 Mineral wool according to AGI-Q 132

3 Example SkamoEnclosure Board 225 kg/m³

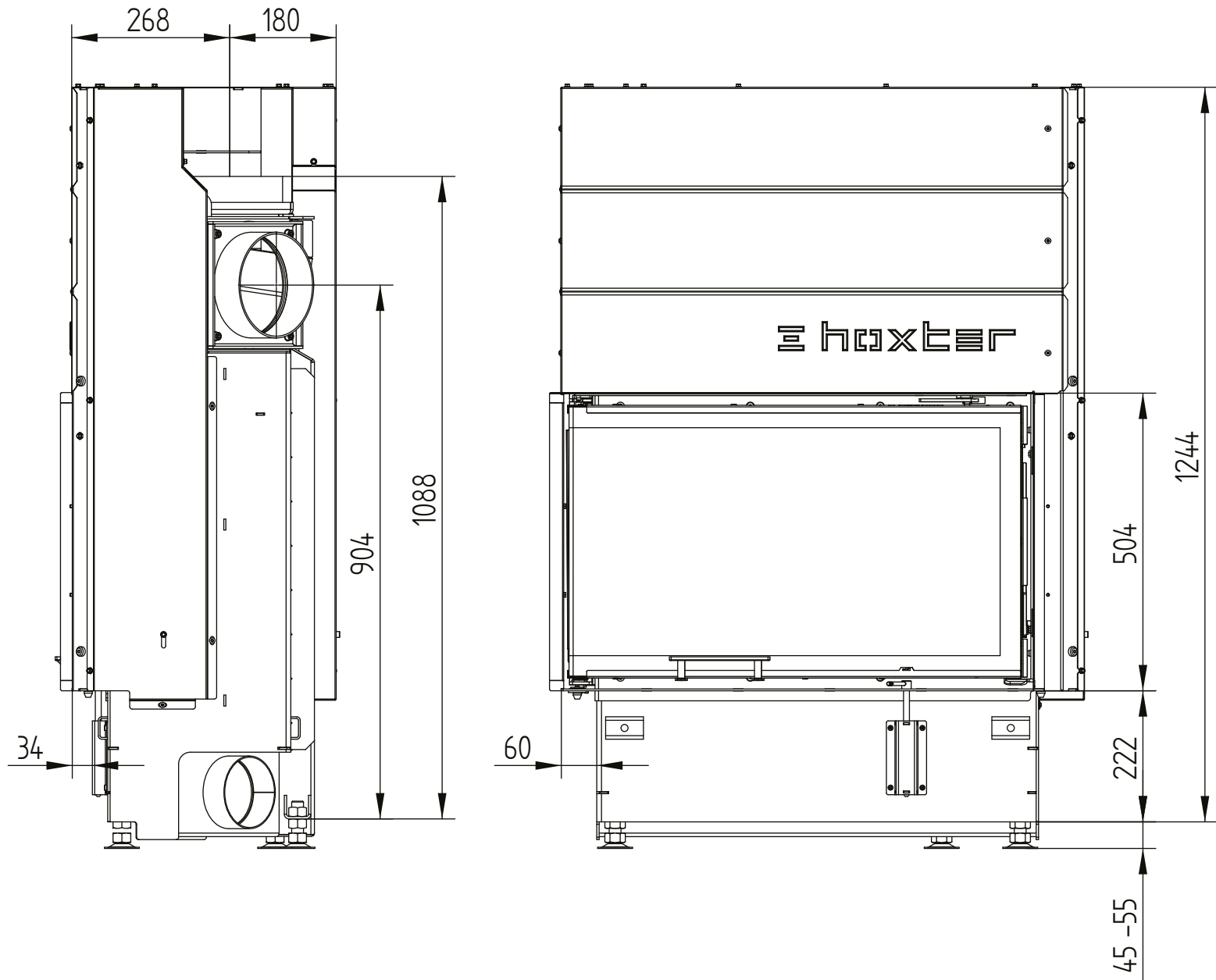
4 Depends on accumulation period and material characteristics. Listed values calculated with chamotte stone thickness 30 mm with radiant area 500 W/m²

ECKA 80/35/50SL left

Technical data
Version 2020/08

small instalation dimensions left liftdoor

M 1:10

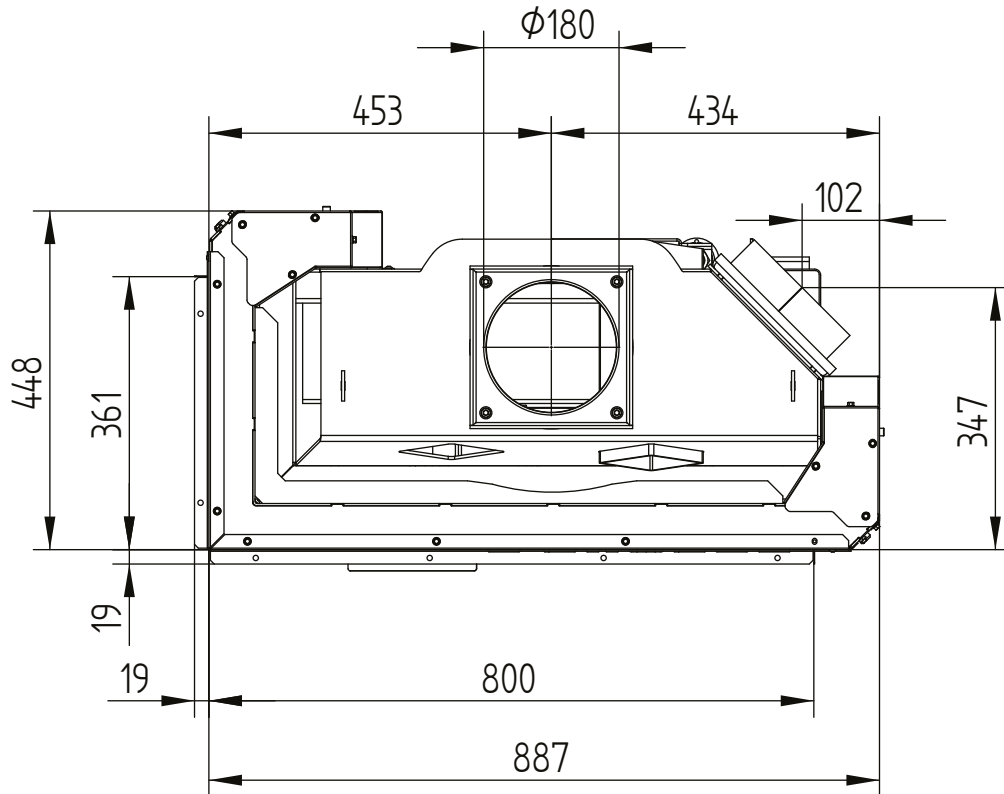


ECKA 80/35/50SL left

Technical data
Version 2020/08

small instalation dimensions left liftdoor

M 1:10

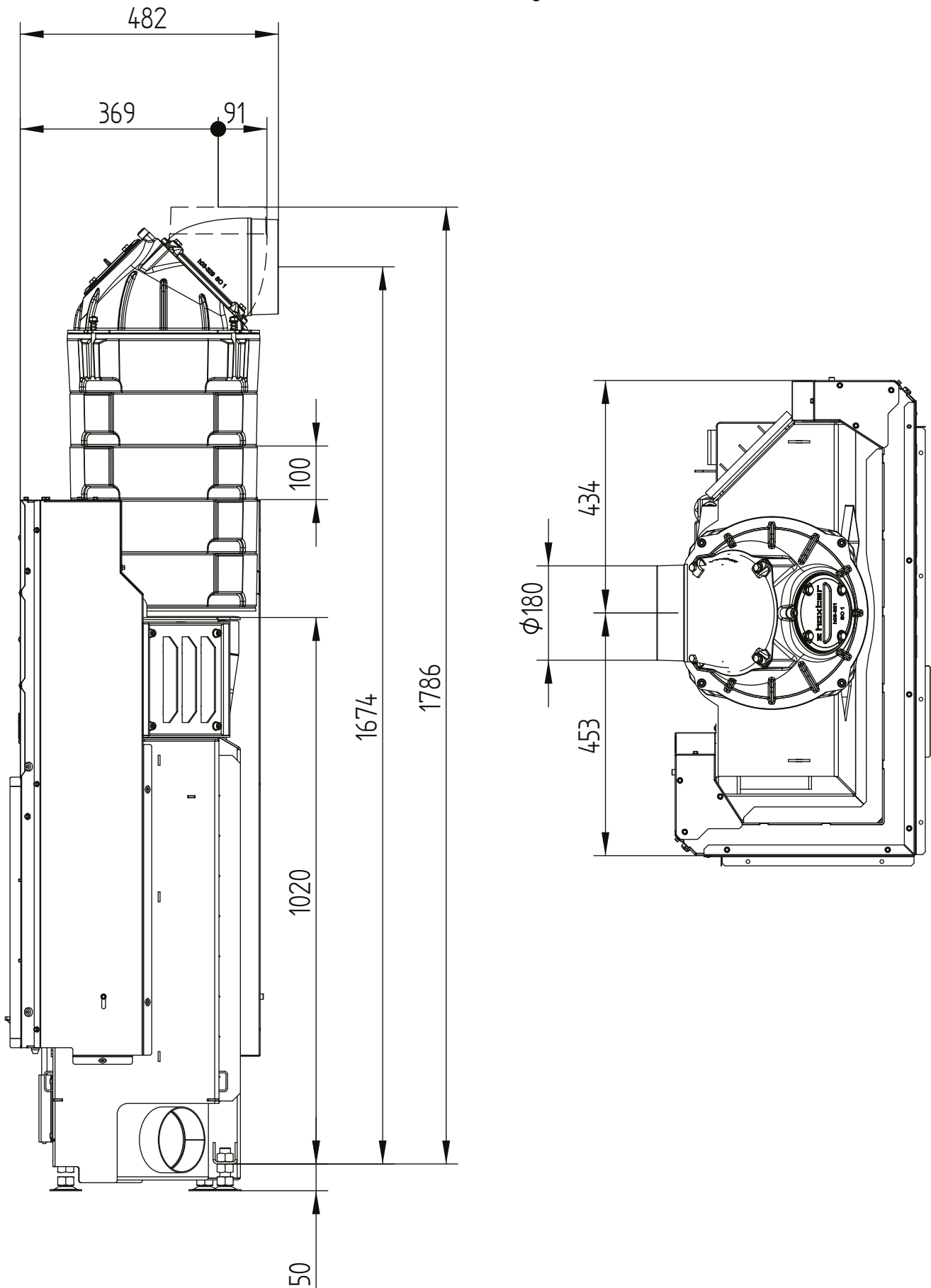


ECKA 80/35/50SL left

Technical data
Version 2020/08

small instalation dimensions left liftdoor S-accumulation rings

M 1:10

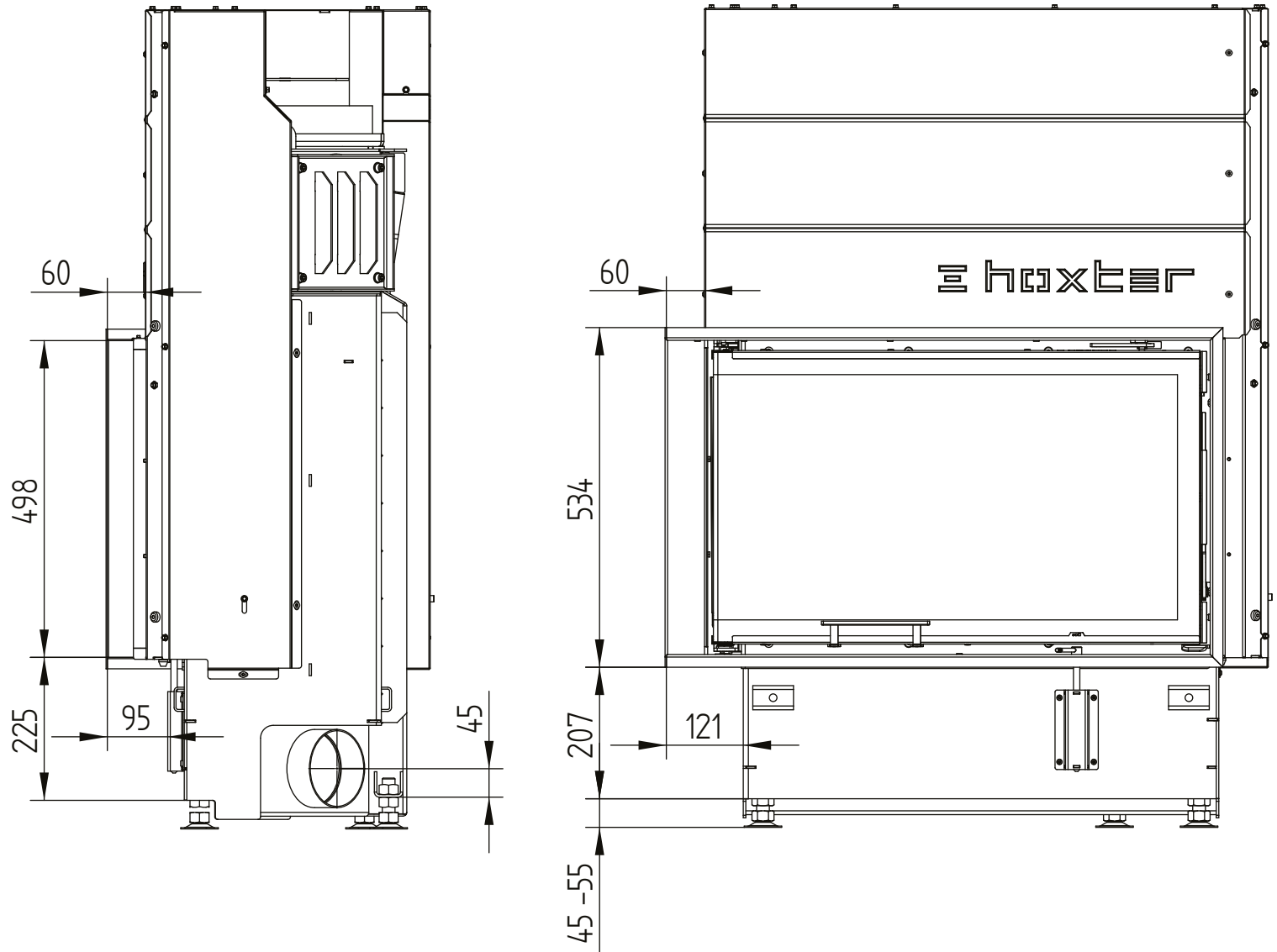


ECKA 80/35/50SL left

Technical data
Version 2020/08

Cover frame 80/35/50Lh left liftdoor 6sides 60 mm 1 x 90° / air inlet

M 1:10

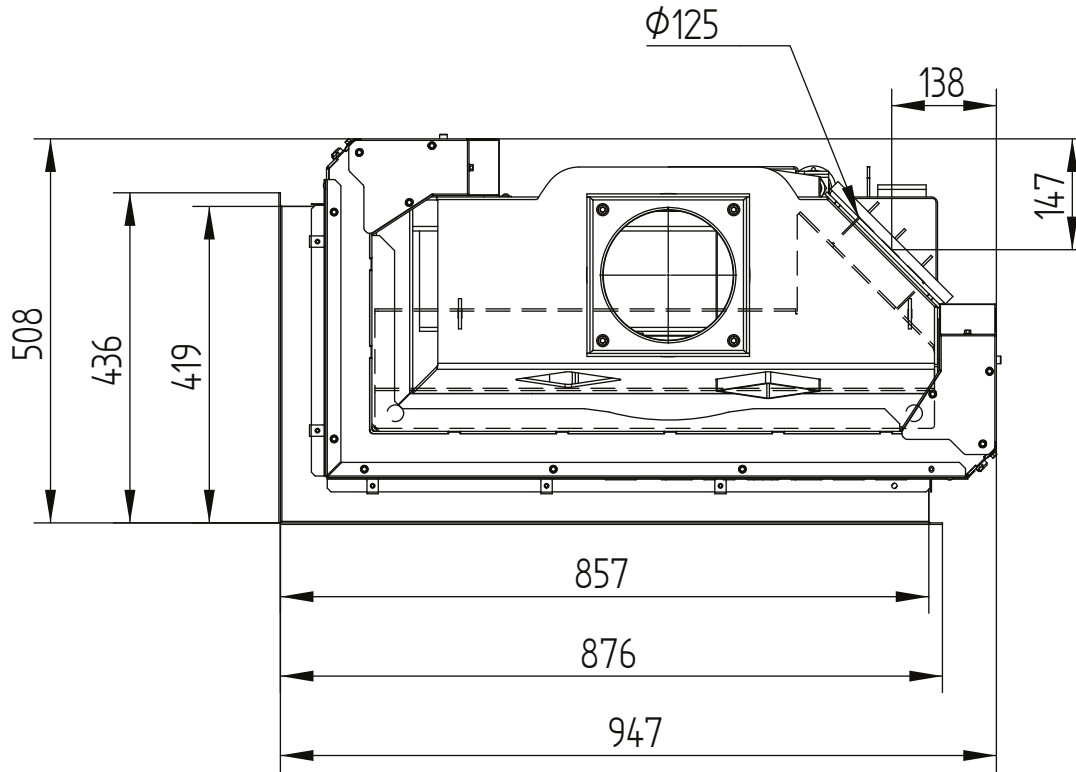


ECKA 80/35/50SL left

Technical data
Version 2020/08

Cover frame 80/35/50Lh left liftdoor 6sides 60 mm 1 x 90° / air inlet

M 1:10

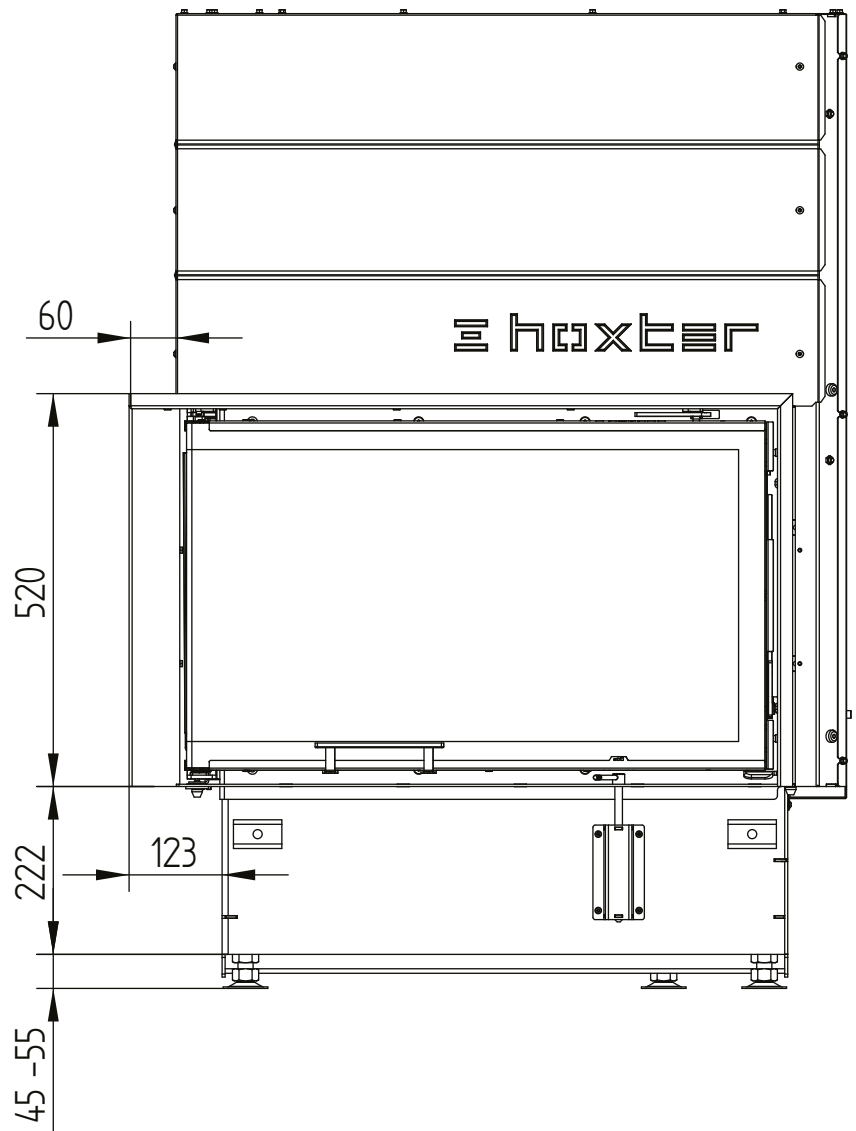
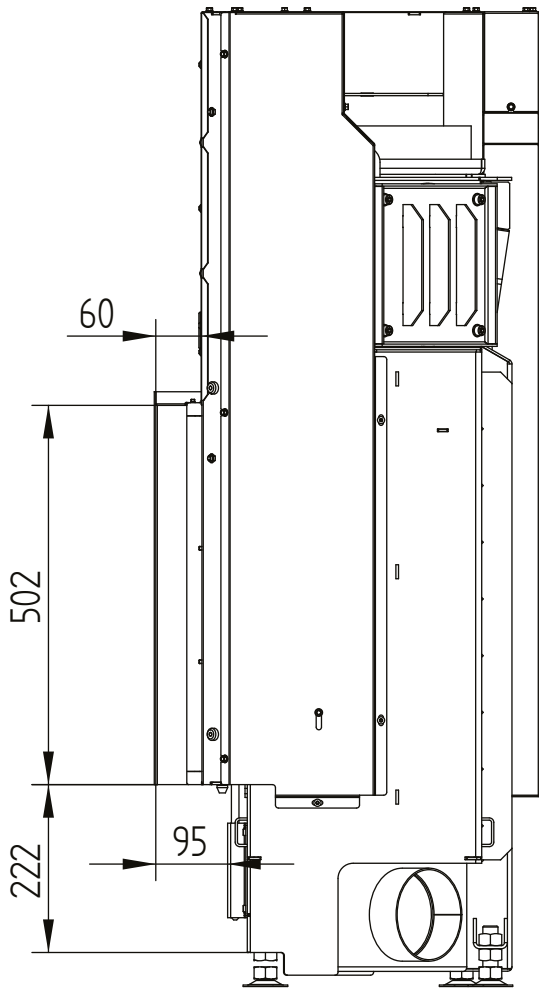


ECKA 80/35/50SL left

Technical data
Version 2020/08

Cover frame 80/35/50Lh left liftdoor 4sides 60 mm 1 x 90°

M 1:10

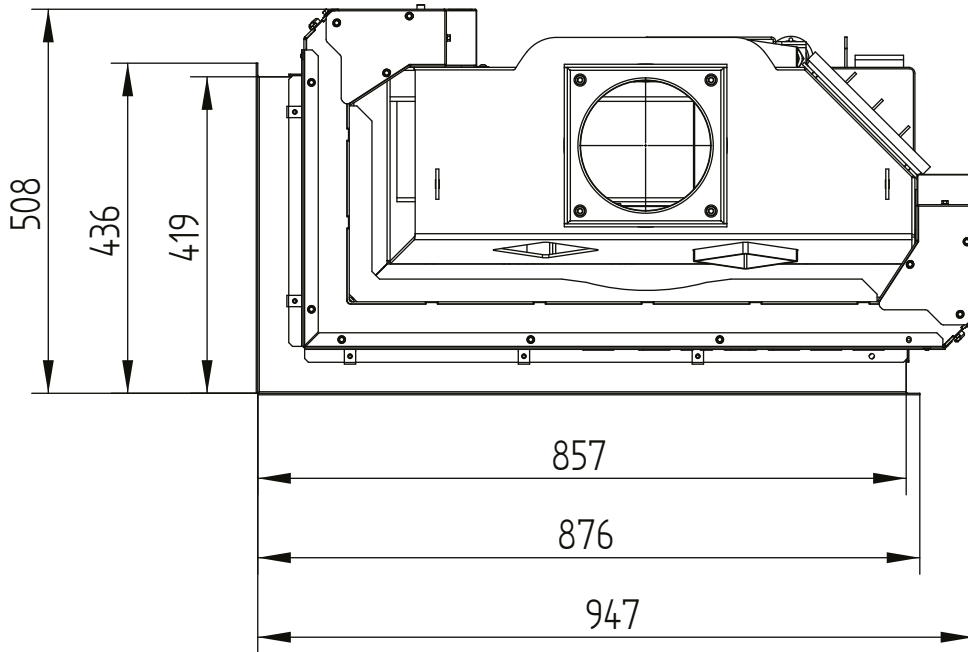


ECKA 80/35/50SL left

Technical data
Version 2020/08

Cover frame 80/35/50Lh left liftdoor 4sides 60 mm 1 x 90°

M 1:10

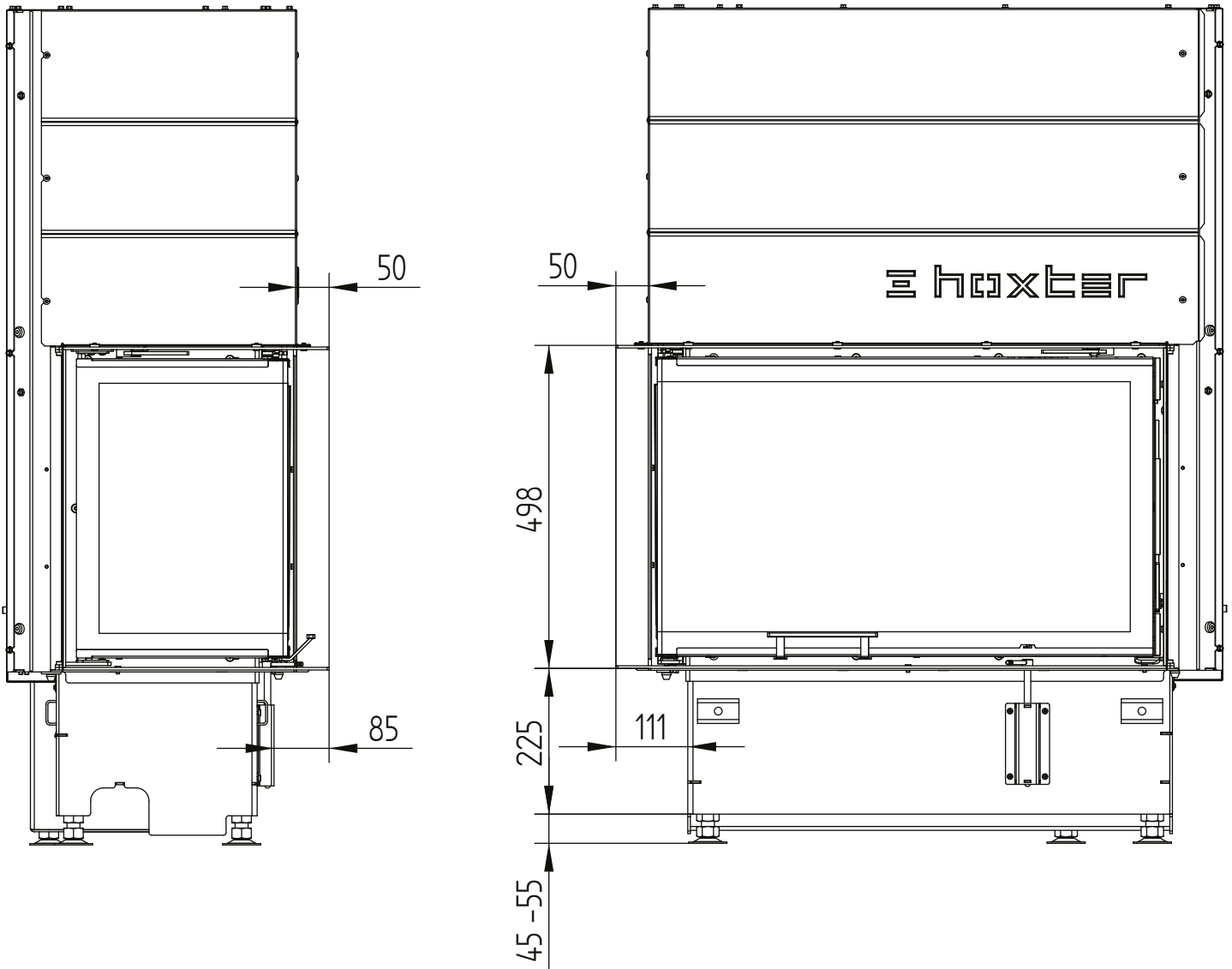


ECKA 80/35/50SL left

Technical data
Version 2020/08

Build-on frame 80/35/50Lh left liftdoor 6sides 50 mm / feet

M 1:10

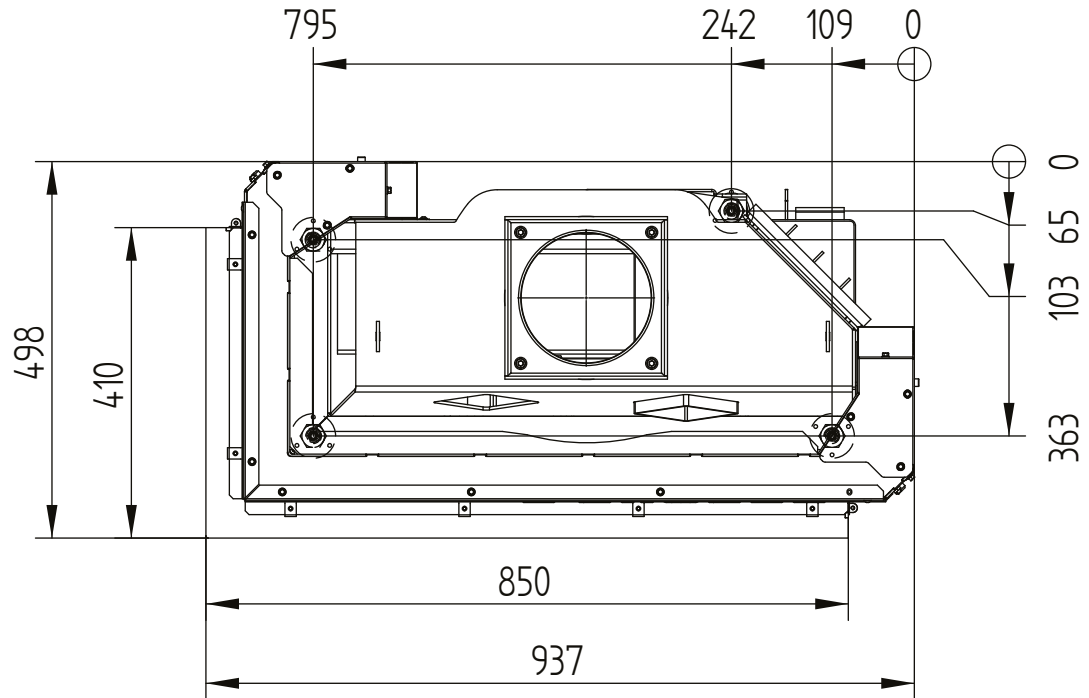


ECKA 80/35/50SL left

Technical data
Version 2020/08

Build-on frame 80/35/50Lh left liftdoor 6sides 50 mm / feet

M 1:10

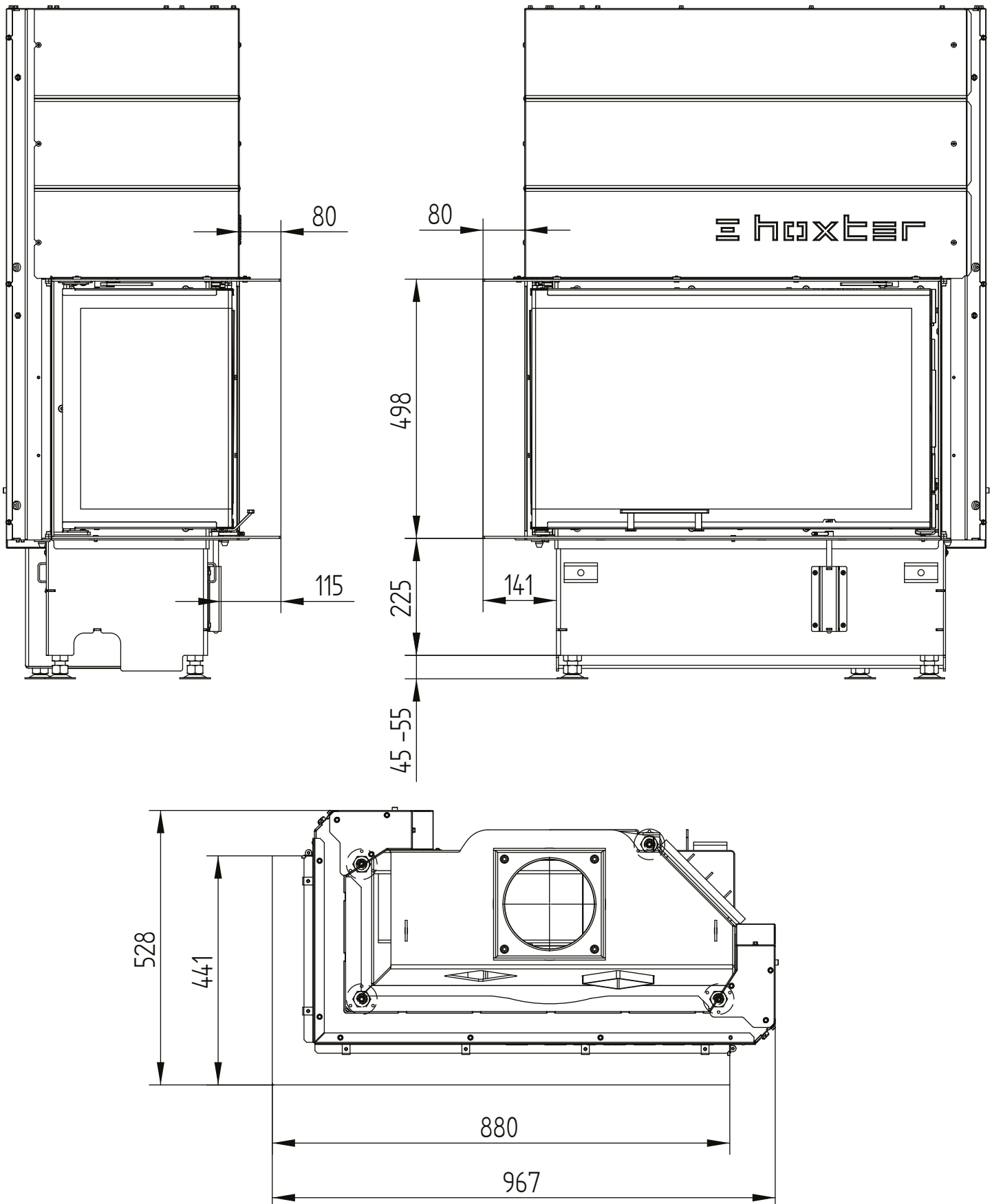


ECKA 80/35/50SL left

Technical data
Version 2020/08

Build-on frame 80/35/50Lh left liftdoor 6sides 80 mm

M 1:10

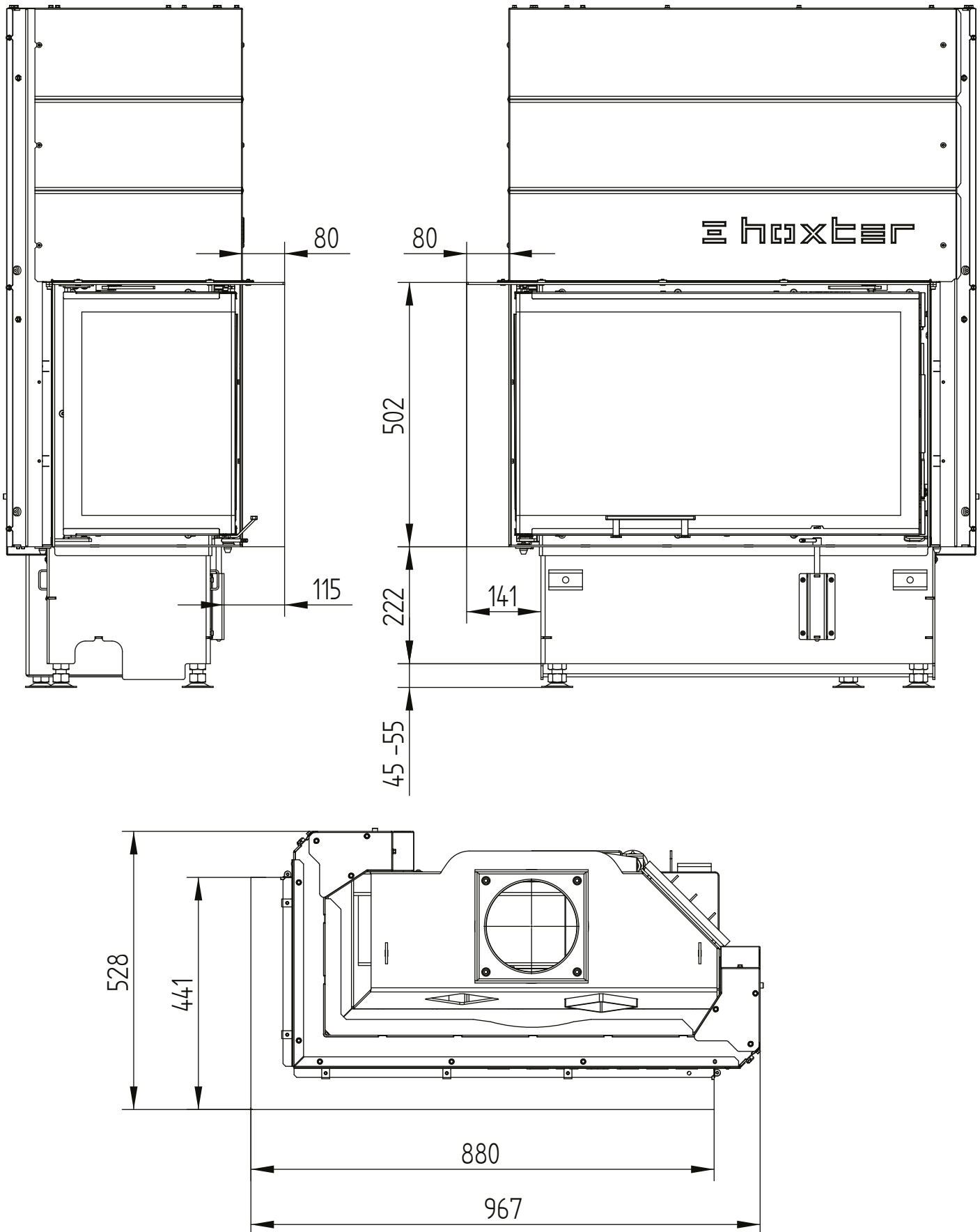


ECKA 80/35/50SL left

Technical data
Version 2020/08

Build-on frame 80/35/50Lh left liftdoor 4sides 80 mm

M 1:10



ECKA 80/35/50SR right

Technical data

Version 2020/08

	operation when directly connected to chimney	operation when connected accumulation mass	
Energy label	A	A	A
Operating data			
Nominal heat power	9 kW	----	----
Efficiency	> 80 %	----	----
Consumption of wood	2,6 kg/h	5 kg	4,5 kg
Total heat output of the burning chamber	----	20 kW	18 kW
Mass flow of flue gas	9 g/s	17 g/s	15 g/s
Required chimney pressure	12 Pa	12 Pa	15 Pa
Required amount of combustion air	25 m ³ /h	50 m ³ /h	45 m ³ /h
Average flue gas temperature			
on the output	280 °C	380 °C	370 °C
past 2,5 of ceramic accumulation system KMS 240 ¹	----	230 °C	----
past S-accumulation rings (5x S-acc. ring Ø345mm)	----	----	250 °C
Heat distribution			
fireplace insert	60–70 %	37 %	37 %
door glass (single / double)	40 / 30 %	40 / 30 %	40 / 30 %
adjoining accumulation mass	----	23–33 %	23–33 %
Information for ventilated builds			
Minimal grill area supply / outgoing	800 / 900 cm ²	800 / 900 cm ²	800 / 900 cm ²
Minimum distance from insulated areas / floor	50 / 0 mm	50 / 0 mm	
Reference insulation ² ceiling / back wall / side wall / floor	120 / 80 / 80 / 0 mm	120 / 80 / 80 / 0 mm	
Calciumsilicate insulation ³ ceiling / back wall / side wall / floor	90 / 60 / 60 / 0 mm	90 / 60 / 60 / 0 mm	
Information for non-ventilated builds (closed grills)			
Minimum radiant area ⁴	4 m ²	4 m ²	
Minimum distance from insulated areas / floor	50 / 20 mm	50 / 20 mm	
Reference insulation ² ceiling / back wall / side wall / floor	160 / 100 / 100 / 20 mm	160 / 100 / 100 / 20 mm	
Calciumsilicate insulation ³ ceiling / back wall / side wall / floor	120 / 75 / 75 / 20 mm	120 / 75 / 75 / 20 mm	
General technical information			
Total weight / lining weight	ca. 280 / 70 kg	ca. 280 / 70 kg	
Burning chamber dimensions (width x depth)	650 x 210 mm		
Combustion air connection	Ø 125 mm		
Use in non-ventilated accumulation builds according to craft rules	suitable		
Tested according to	EN 13229		
Meets values	1. BlmSchV (Stufe2), 15a BVG		

1 Listed value from testing. For accurate results is evaluation of each system in the Ortnr / KOV program necessary.

2 Mineral wool according to AGI-Q 132

3 Example SkamoEnclosure Board 225 kg/m³

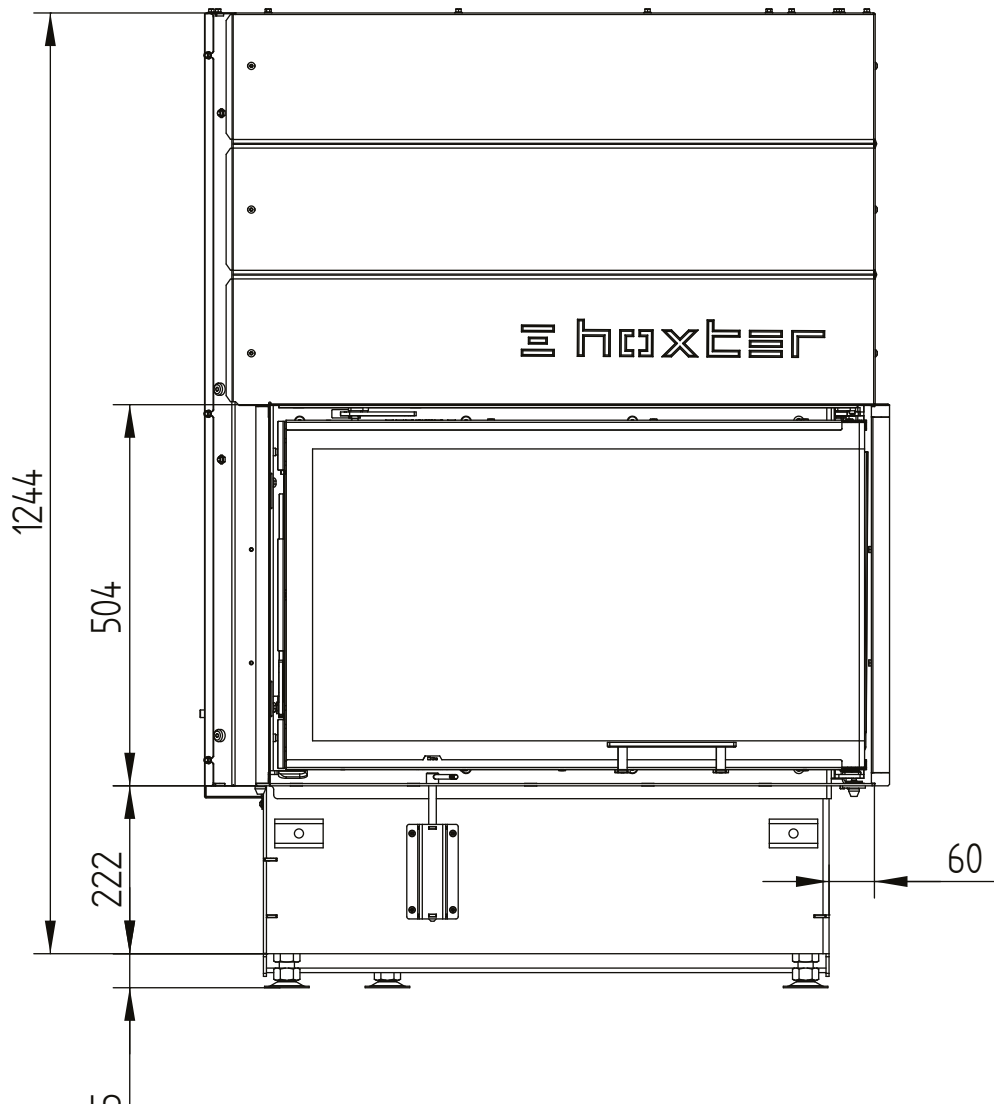
4 Depends on accumulation period and material characteristics. Listed values calculated with chamotte stone thickness 30 mm with radiant area 500 W/m²

ECKA 80/35/50SR right

Technical data
Version 2020/08

small instalation dimensions right liftdoor

M 1:10

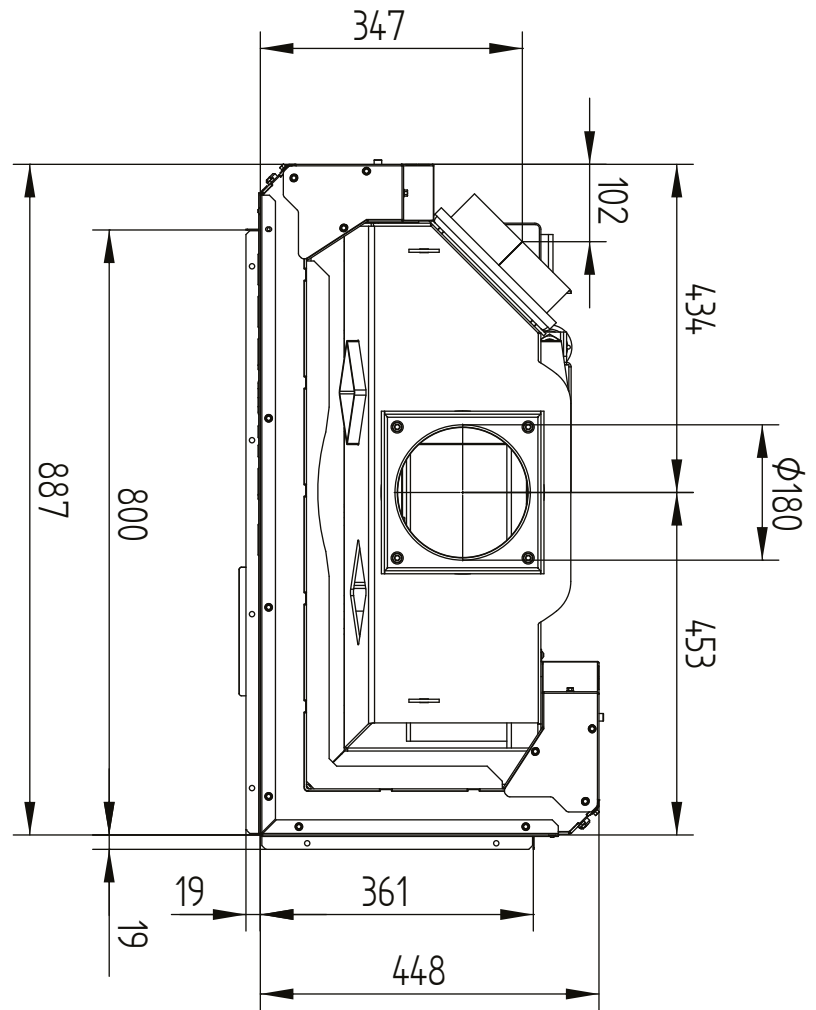
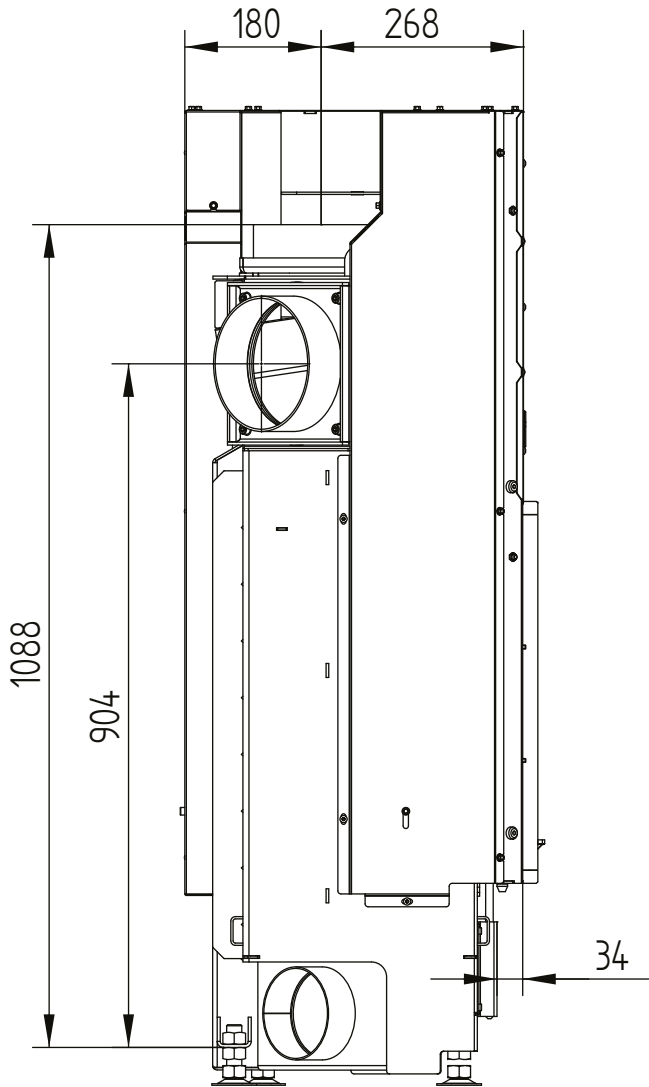


ECKA 80/35/50SR right

Technical data
Version 2020/08

small instalation dimensions right liftdoor

M 1:10

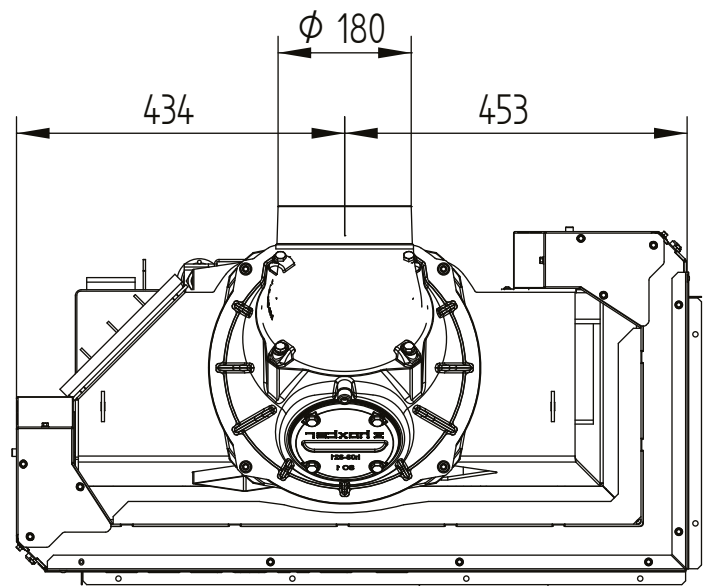
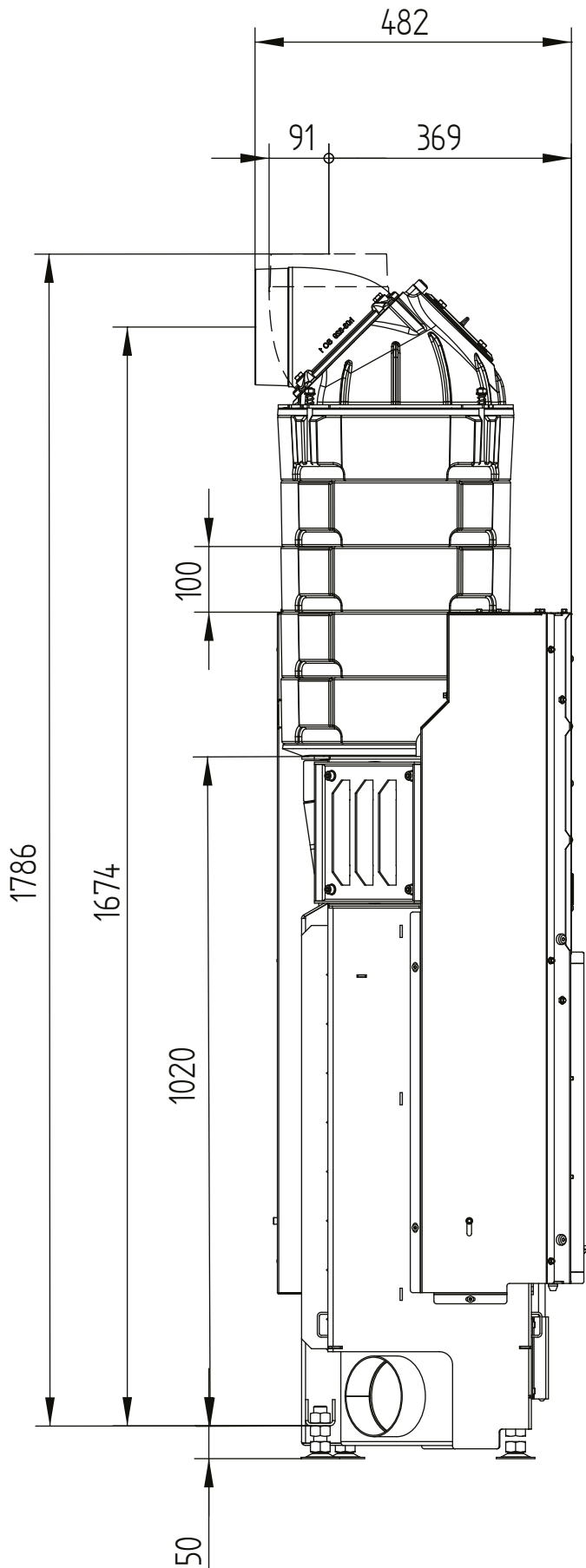


ECKA 80/35/50SR right

Technical data
Version 2020/08

small instalation dimensions right liftdoor S-accumulation rings

M 1:10

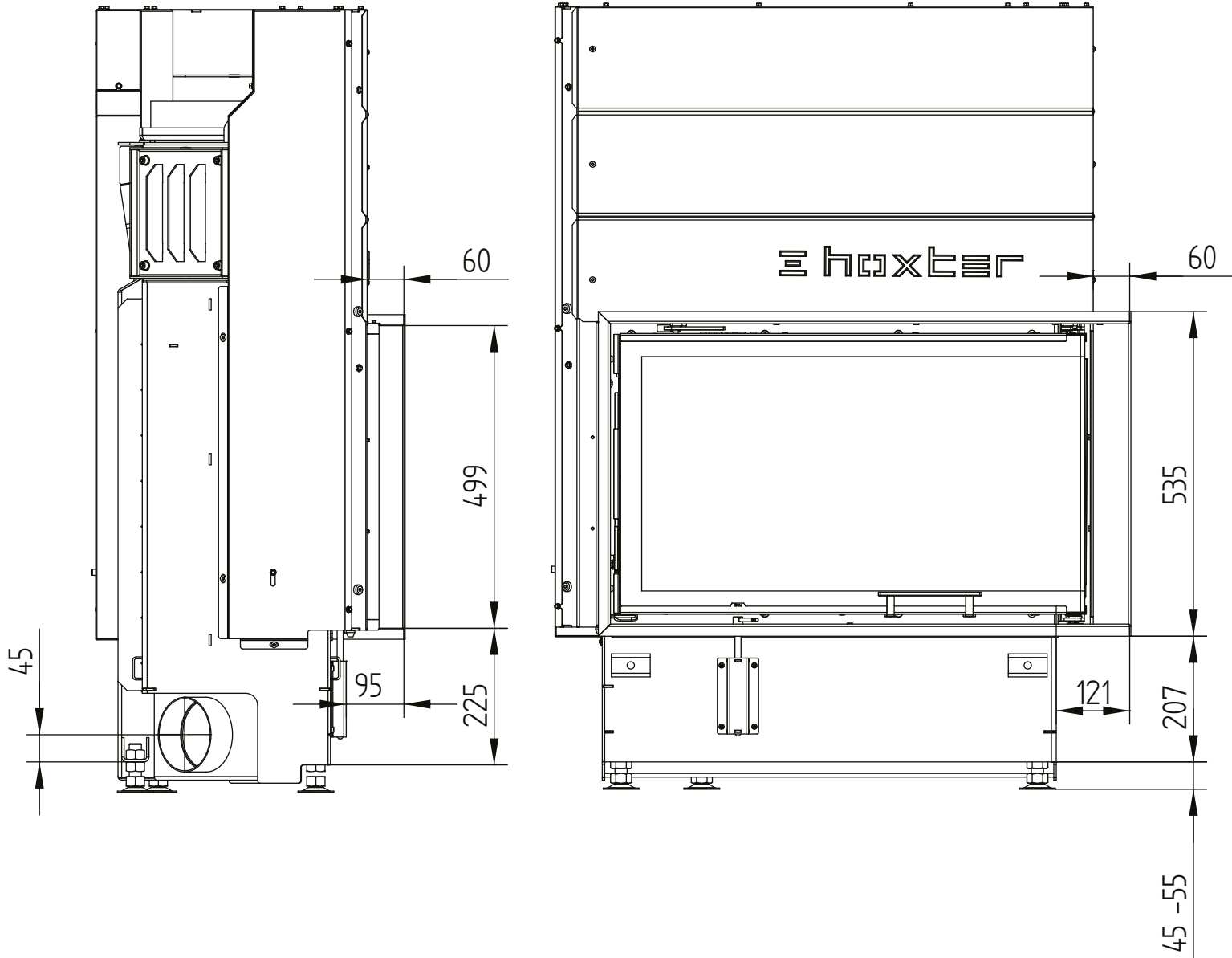


ECKA 80/35/50SR right

Technical data
Version 2020/08

Cover frame 80/35/50Rh right liftdoor 6sides 60 mm 1 x 90° / air inlet

M 1:10

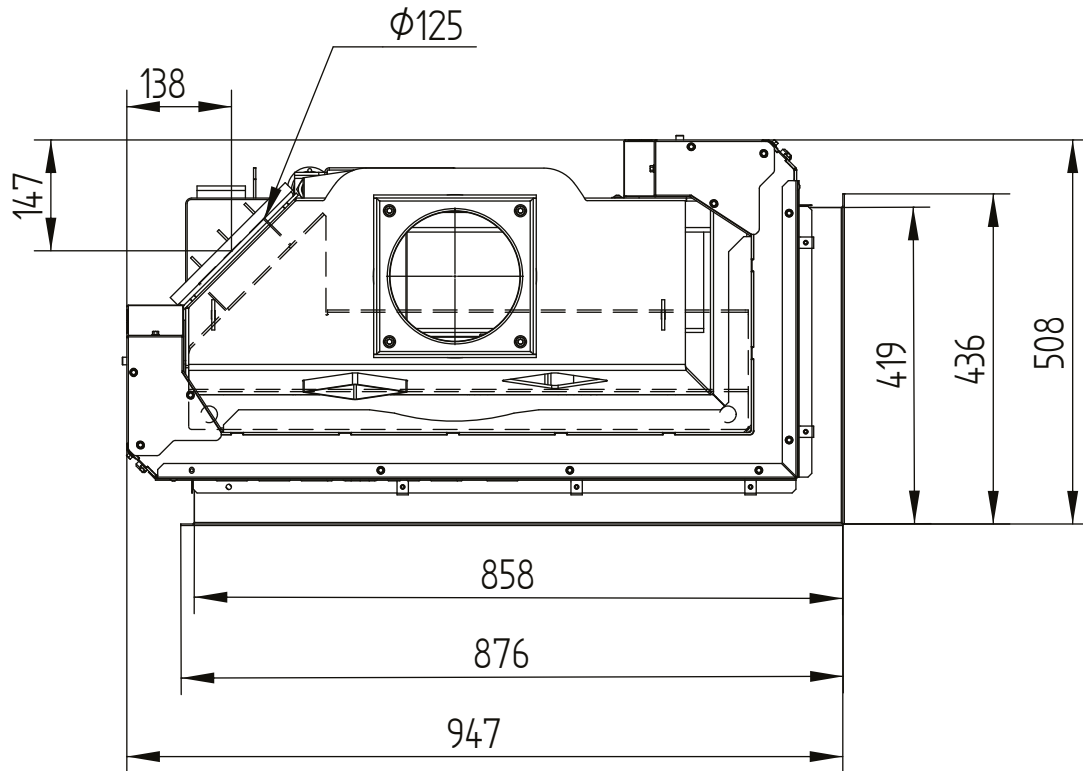


ECKA 80/35/50SR right

Technical data
Version 2020/08

Cover frame 80/35/50Rh right liftdoor 6sides 60 mm 1 x 90° / air inlet

M 1:10

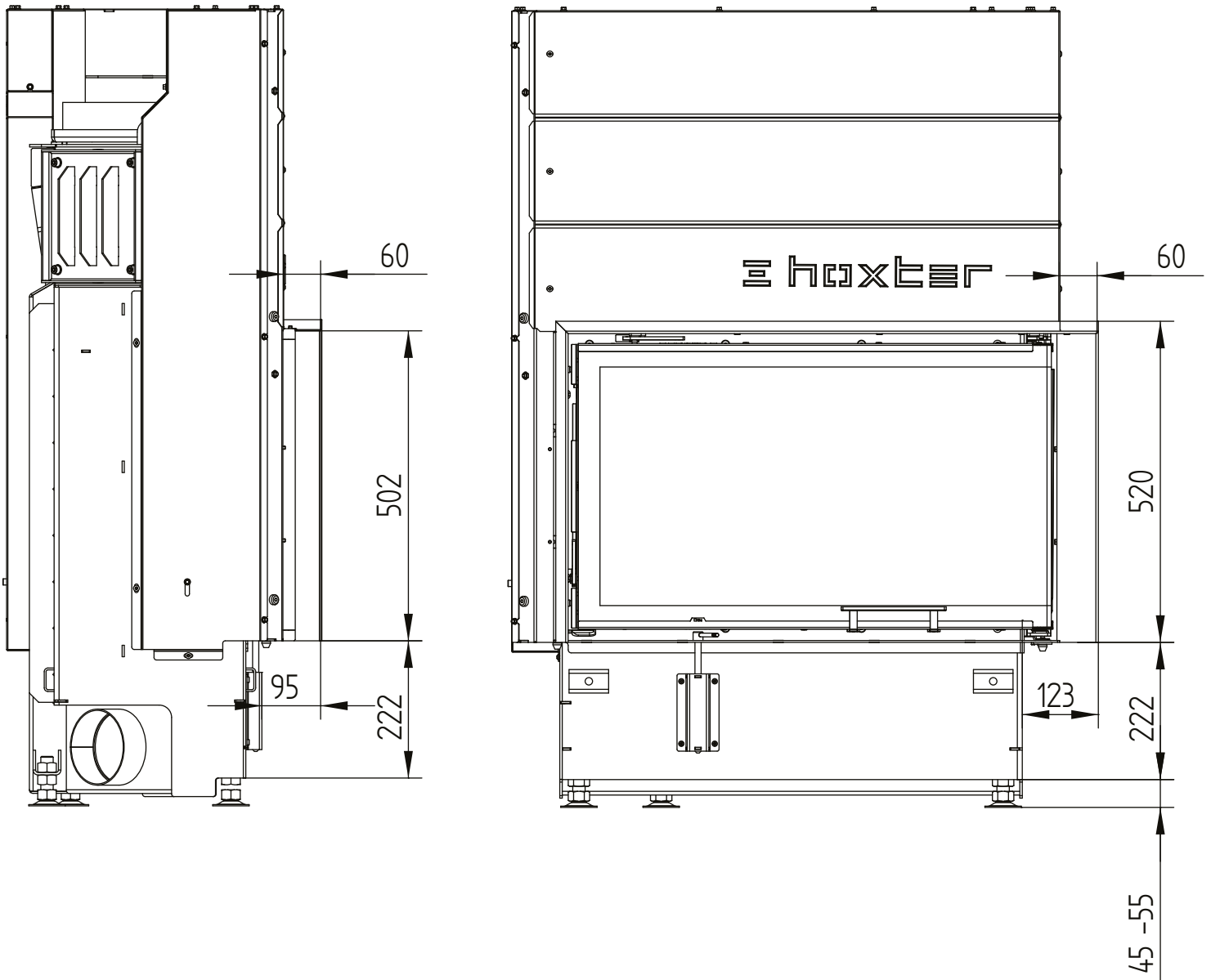


ECKA 80/35/50SR right

Technical data
Version 2020/08

Cover frame 80/35/50Rh right liftdoor 4sides 60 mm 1 x 90°

M 1:10

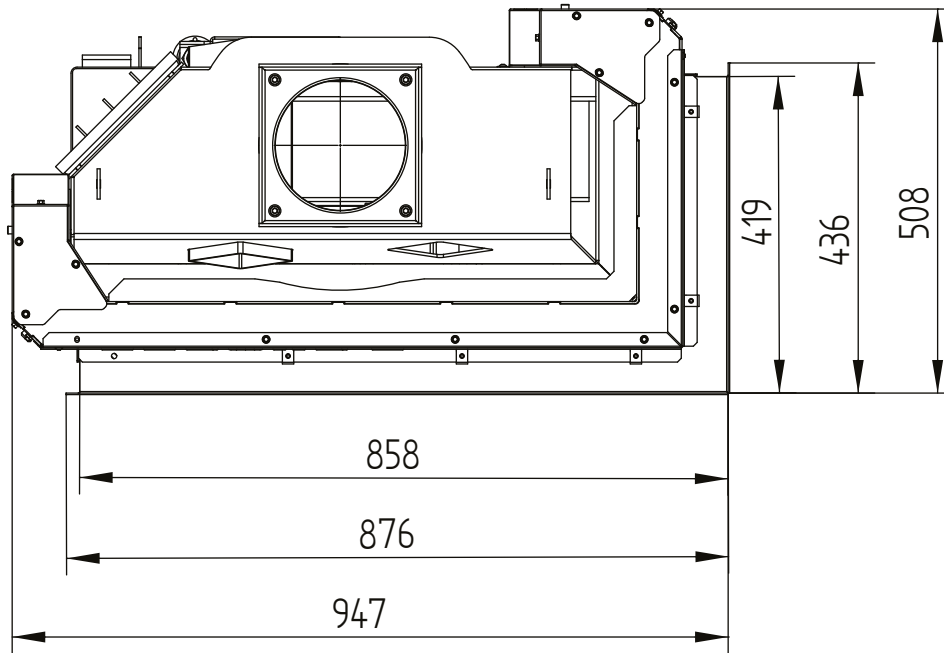


ECKA 80/35/50SR right

Technical data
Version 2020/08

Cover frame 80/35/50Rh right liftdoor 4sides 60 mm 1 x 90°

M 1:10

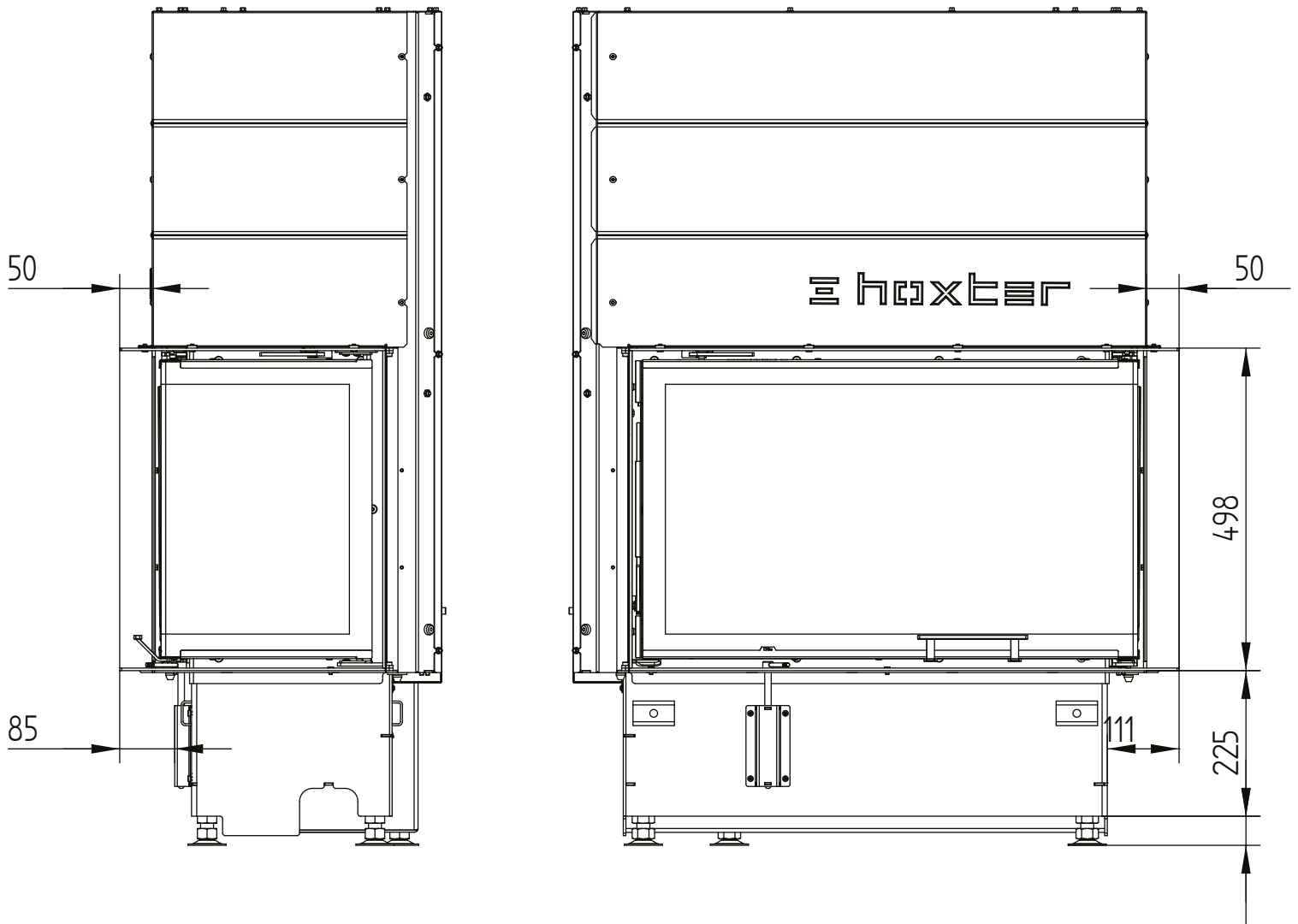


ECKA 80/35/50SR right

Technical data
Version 2020/08

Build-on frame 80/35/50Rh right liftdoor 6sides 50 mm / feet

M 1:10

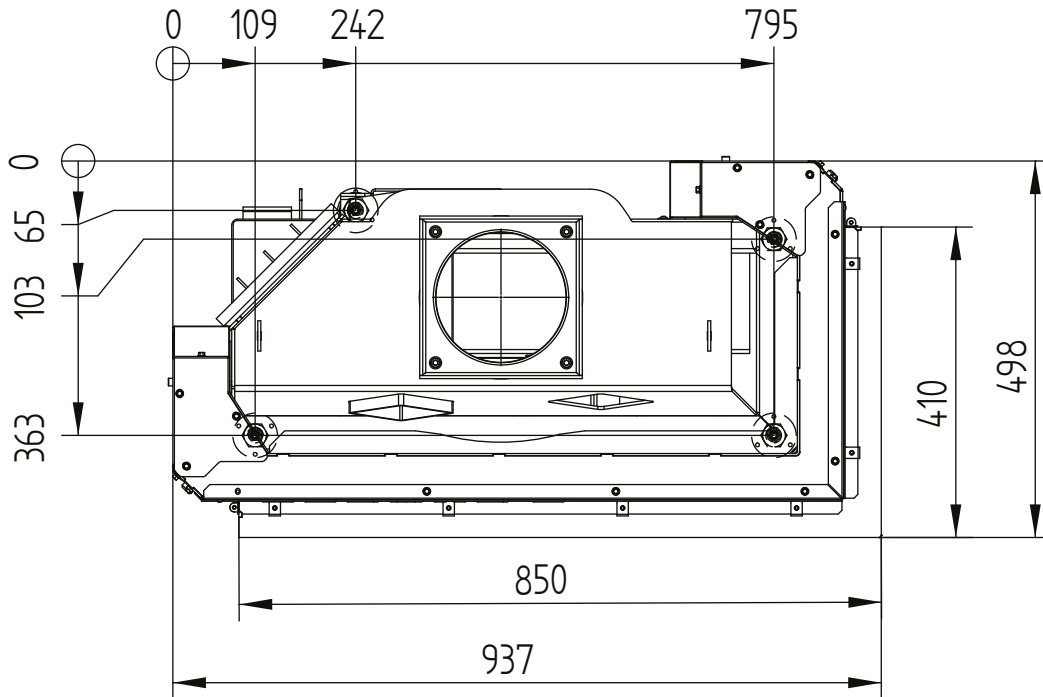


ECKA 80/35/50SR right

Technical data
Version 2020/08

Build-on frame 80/35/50Rh right liftdoor 6sides 50 mm / feet

M 1:10

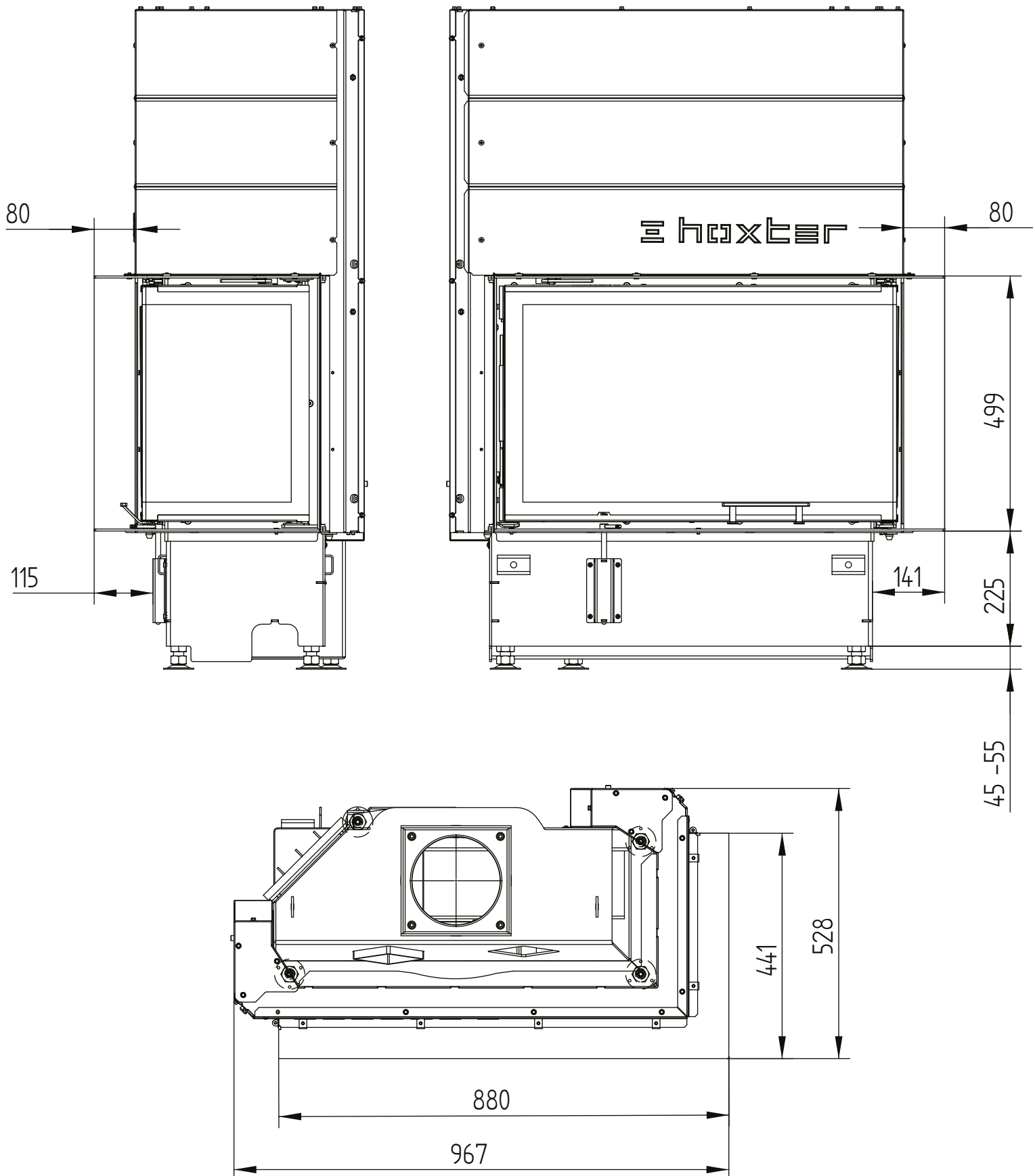


ECKA 80/35/50SR right

Technical data
Version 2020/08

Build-on frame 80/35/50Rh right liftdoor 6sides 80 mm

M 1:10



ECKA 80/35/50SR right

Technical data
Version 2020/08

Build-on frame 80/35/50Rh right liftdoor 4sides 80 mm

M 1:10

