

OPERATION WHEN DIRECTLY CONNECTED TO CHIMNEY	Cupola	Hot air exchanger
Tested according to	EN 13229	EN 13229
Nominal heat power	7 kW	10 kW
Efficiency	> 80 %	> 80 %
Consumption of wood	2,2 kg/h	3 kg/h
Mass flow of flue gas	6,4 g/s	9,6 g/s
<b>Average flue gas temperature</b> on the output	254 °C	269 °C
<b>Heat distribution</b>		
fireplace insert	64–75 %	64–75 %
door glass (single / double)	36 / 25 %	36 / 25 %
Required chimney pressure	12 Pa	12 Pa
Required amount of combustion air	30 m <sup>3</sup> /h	35 m <sup>3</sup> /h
Minimum supply air grating cross-section	650 cm <sup>2</sup>	950 cm <sup>2</sup>
Minimum outgoing air grating cross-section	800 cm <sup>2</sup>	1 150 cm <sup>2</sup>

OPERATION WITH CONNECTED ACCUMULATION MASS	Cupola	Adaptor
Load of wood	5 kg	5 kg
Total heat output of the burning chamber	19 kW	19 kW
Mass flow of flue gas	15 g/s	15 g/s
<b>Average flue gas temperature</b> on the output <sup>1)</sup> past 3,2 m of ceramic accumulation system KMS 300 <sup>2)</sup> past set of HOXTER accumulation rings	394 °C 178 °C –	404 °C – 235 °C
<b>Heat distribution</b>		
fireplace insert	36 %	33 %
door glass (single / double)	36 / 25 %	36 / 25 %
adjoining accumulation mass	29–39 %	32–42 %
Required chimney pressure	12 Pa	12 Pa
Minimum radiant area <sup>3)</sup>	ca. 4,5 m <sup>2</sup>	ca. 4,5 m <sup>2</sup>
Required amount of combustion air	50 m <sup>3</sup> /h	50 m <sup>3</sup> /h

GENERAL TECHNICAL INFORMATION	
Combustion air connection	Ø 125 mm
Total weight / lining weight	ca. 261 / 67 kg
Use in non-ventilated accumulation builds according to craft rules	suitable
Meets values	BImSchV (Stufe2), 15a BVG

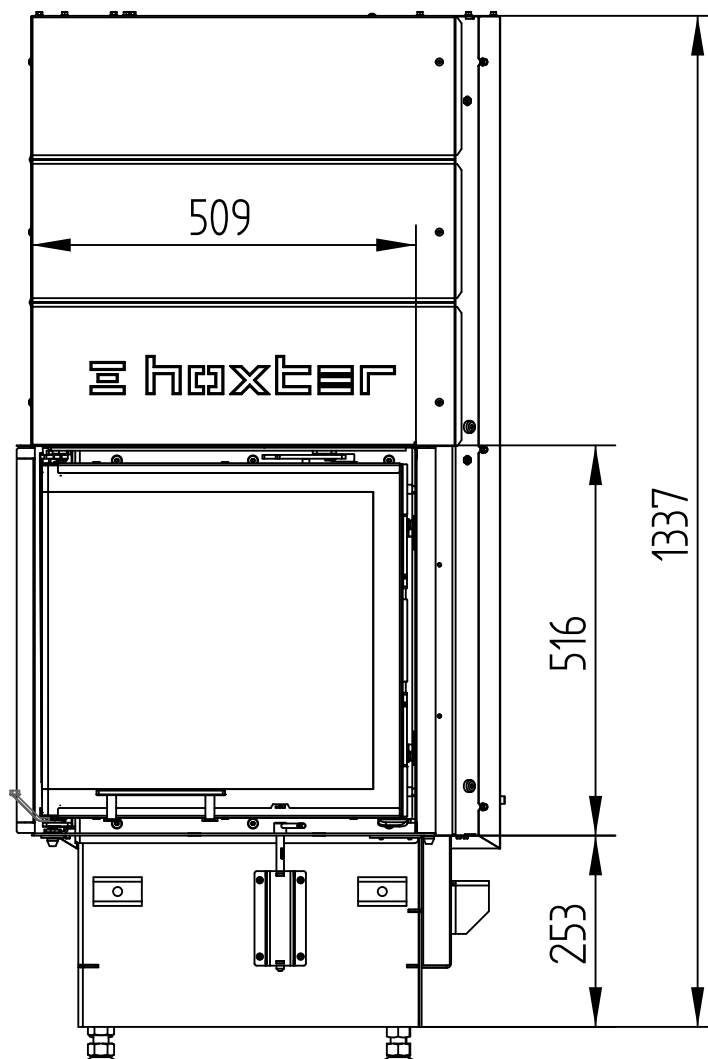
- 1) The Hoxter products are available in the Austrian stove-calculation program for evaluation of firebrick accumulation systems.
- 2) Only a sample calculation! For accurate results is evaluation of each system in the KMS-calculation program from the Ortner company necessary.
- 3) Depends on accumulation period and material characteristics and its thickness. Calculated with heat emission of the radiant area ca. 500 W/m<sup>2</sup>.hr

# ECKA 51/51/51h

WITH CUPOLA

Technical data  
Version 07/2017

M 1 : 10

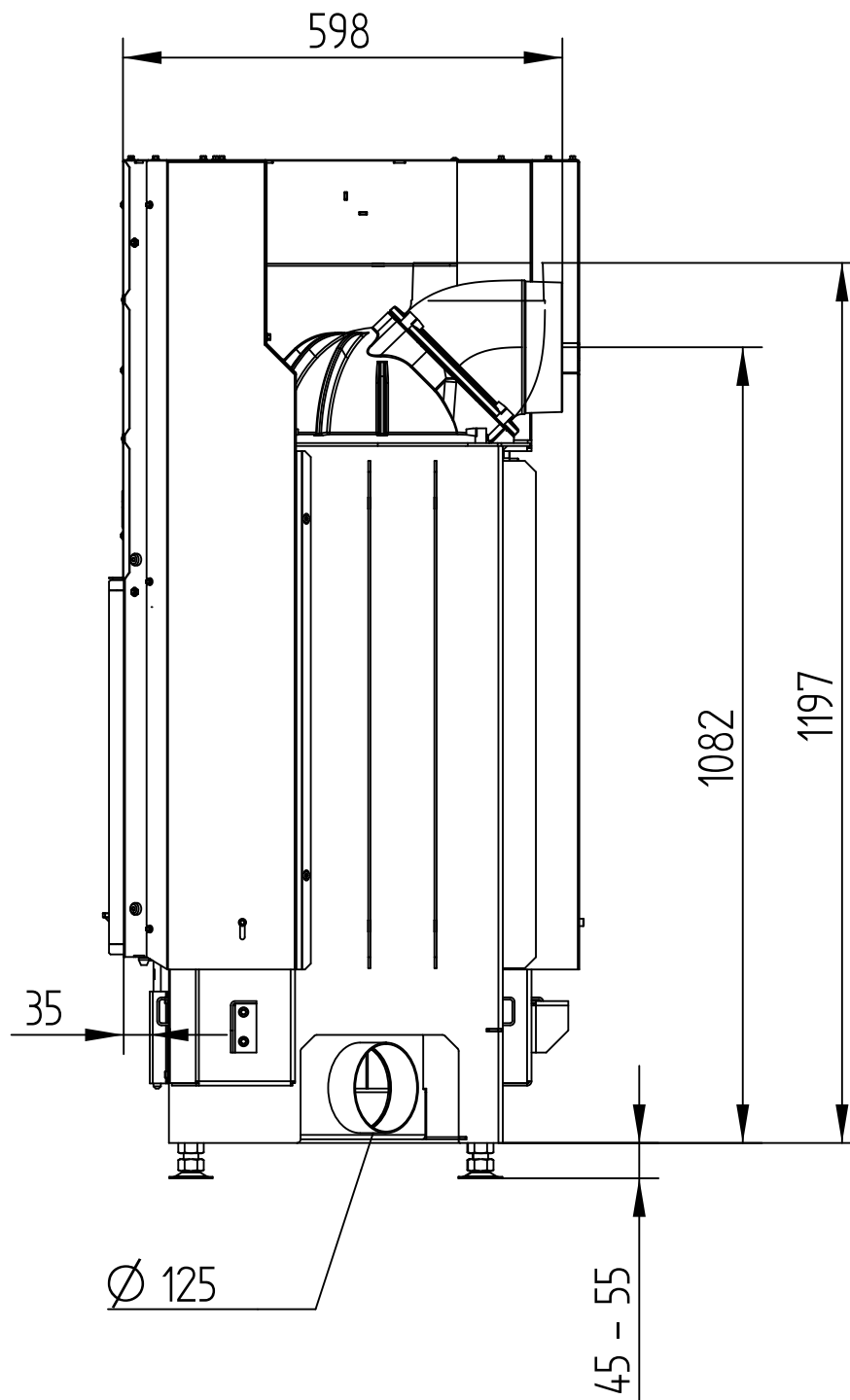


# ECKA 51/51/51h

WITH CUPOLA

Technical data  
Version 07/2017

M 1 : 10

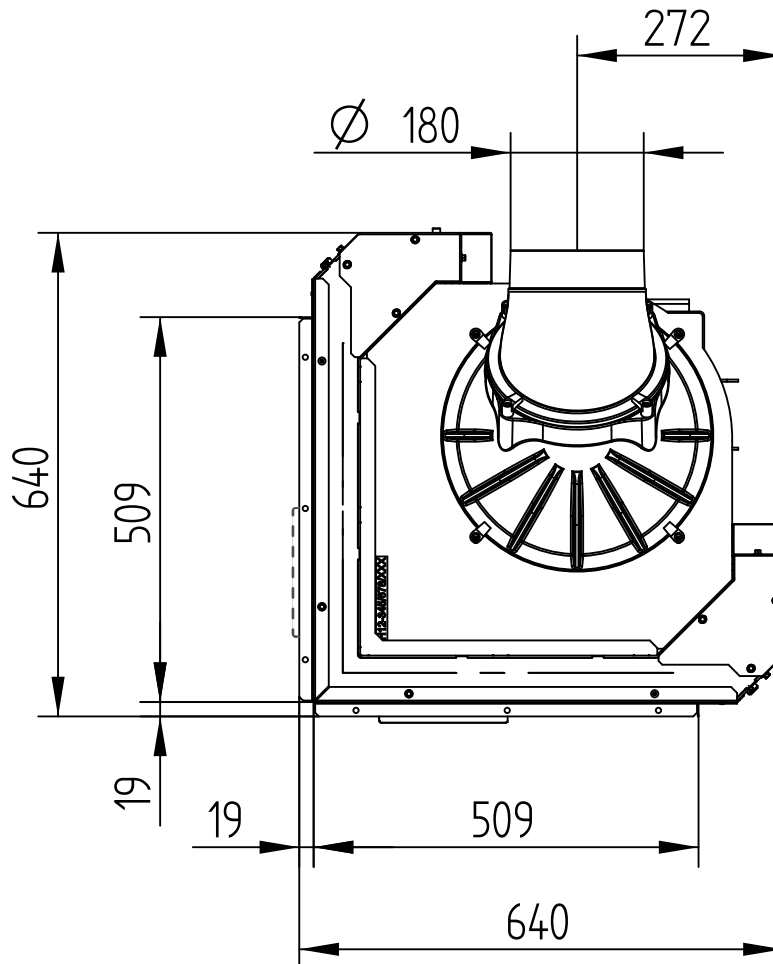


# ECKA 51/51/51h

WITH CUPOLA

Technical data  
Version 07/2017

M 1 : 10

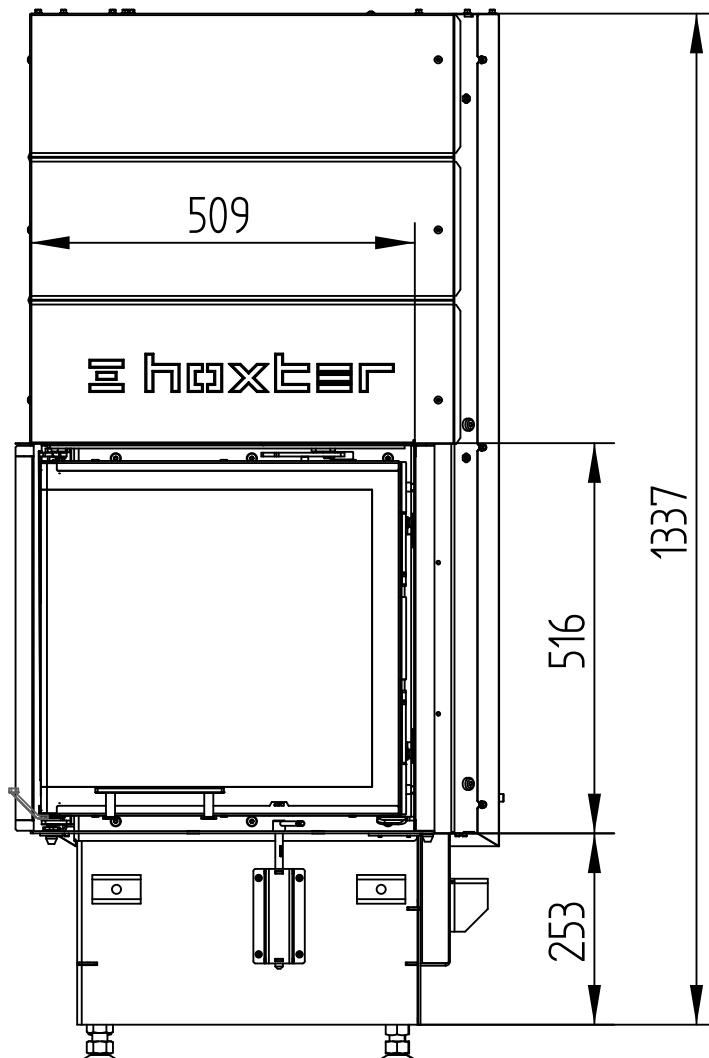


# ECKA 51/51/51h

WITH ADAPTOR

Technical data  
Version 07/2017

M 1 : 10

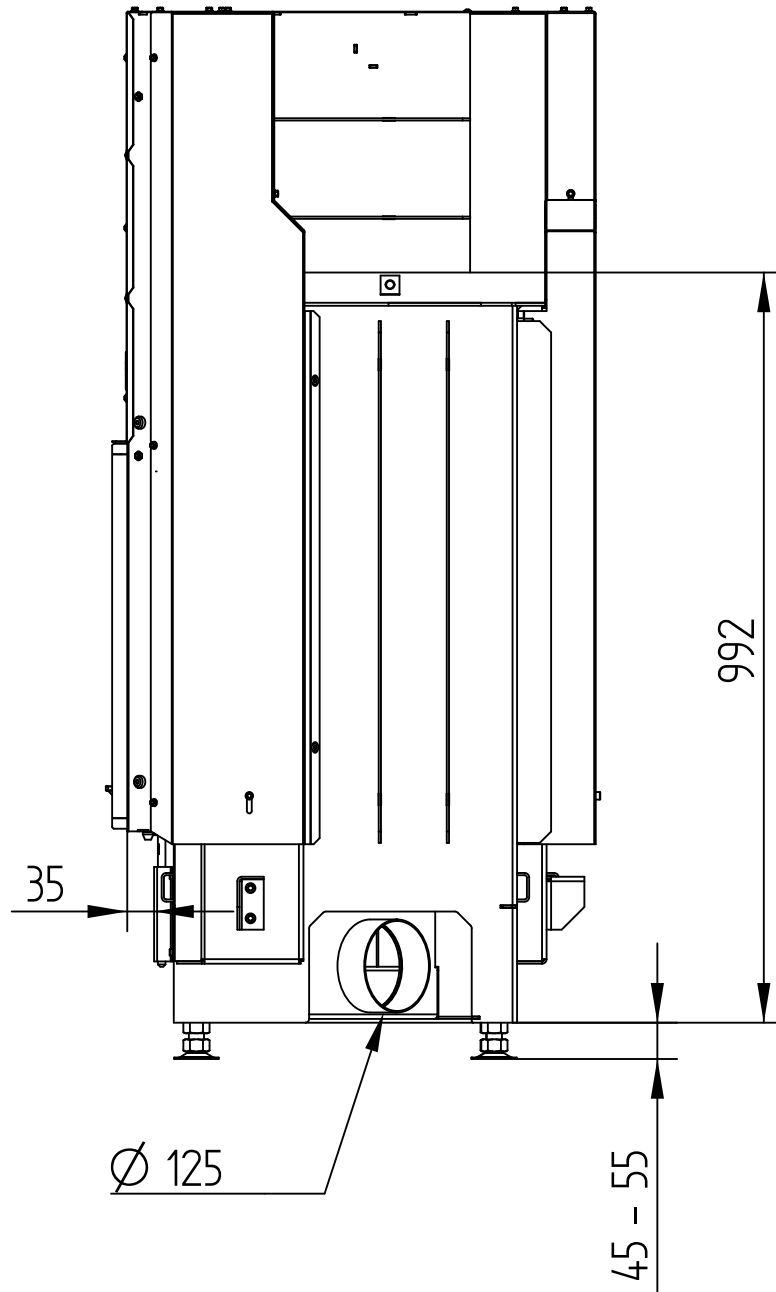


# ECKA 51/51/51h

WITH ADAPTOR

Technical data  
Version 07/2017

M 1 : 10

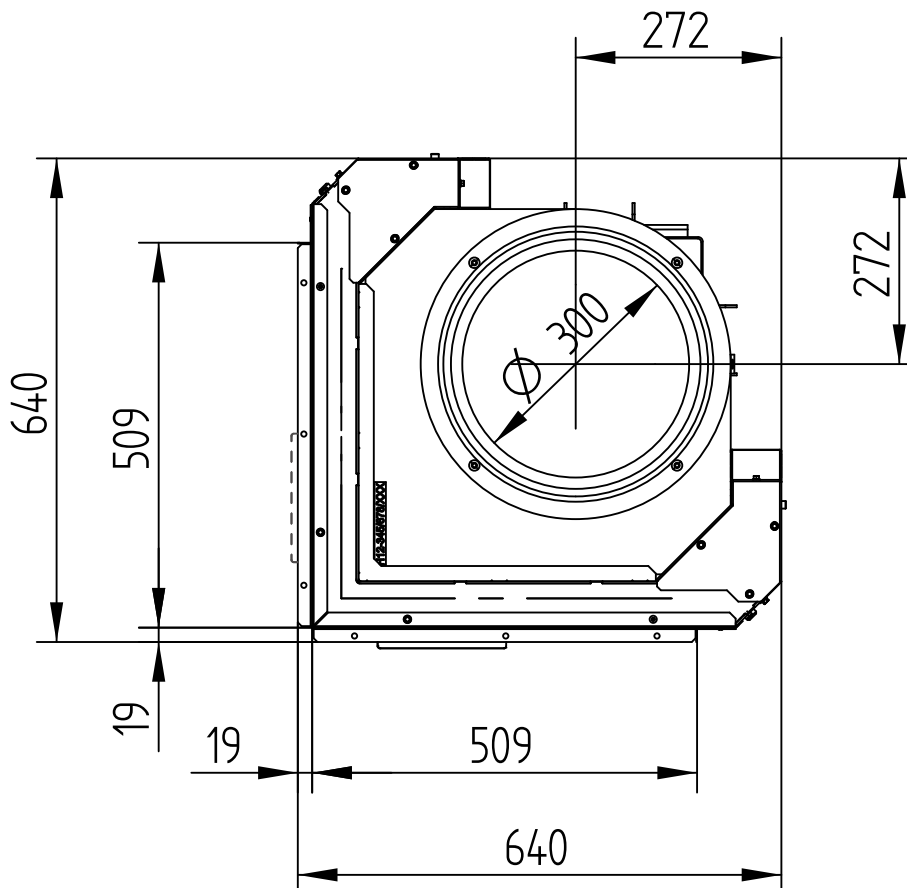


# ECKA 51/51/51h

WITH ADAPTOR

Technical data  
Version 07/2017

M 1 : 10

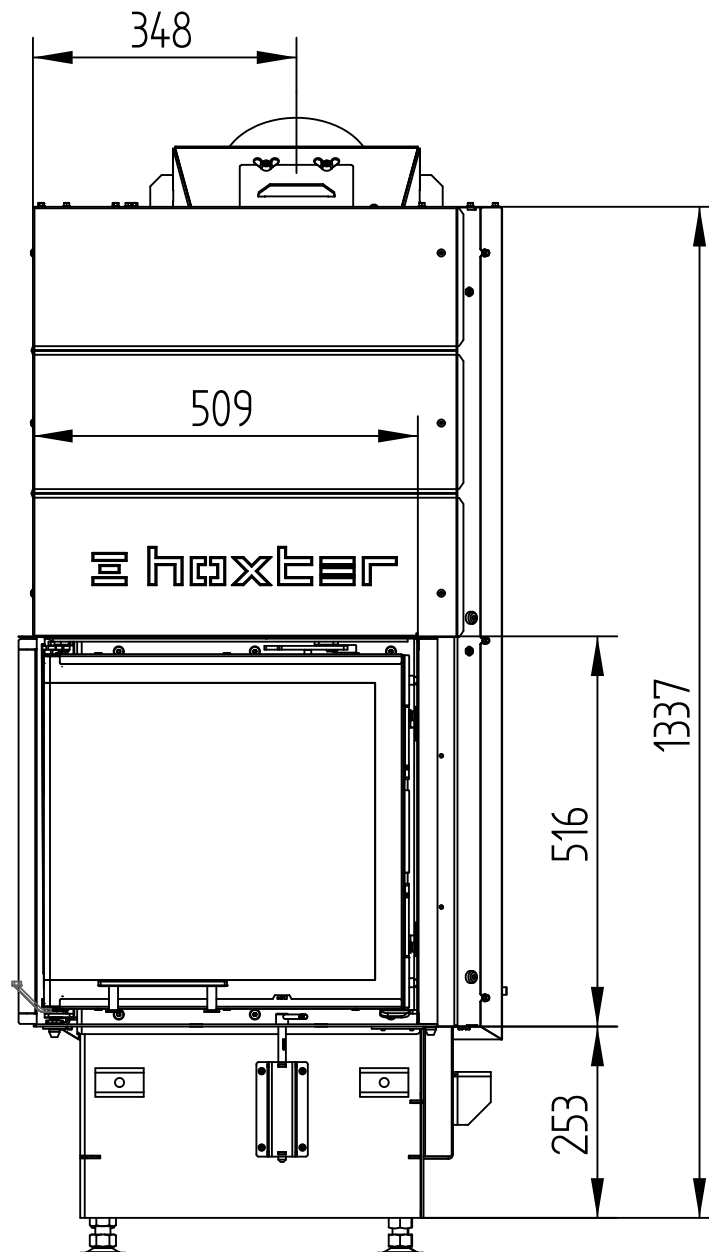


# ECKA 51/51/51h

WITH HOT AIR EXCHANGER

Technical data  
Version 07/2017

M 1 : 10



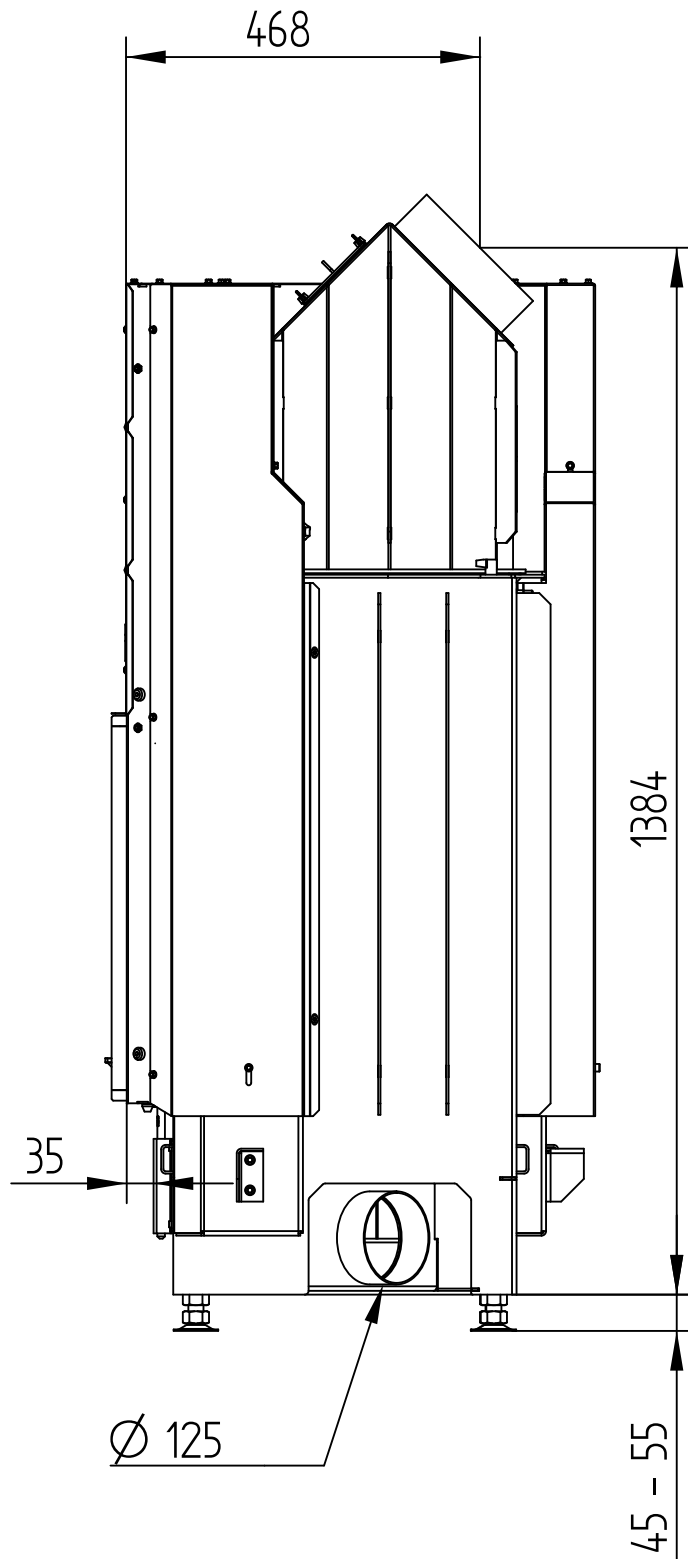


# ECKA 51/51/51h

WITH HOT AIR EXCHANGER

Technical data  
Version 07/2017

M 1 : 10

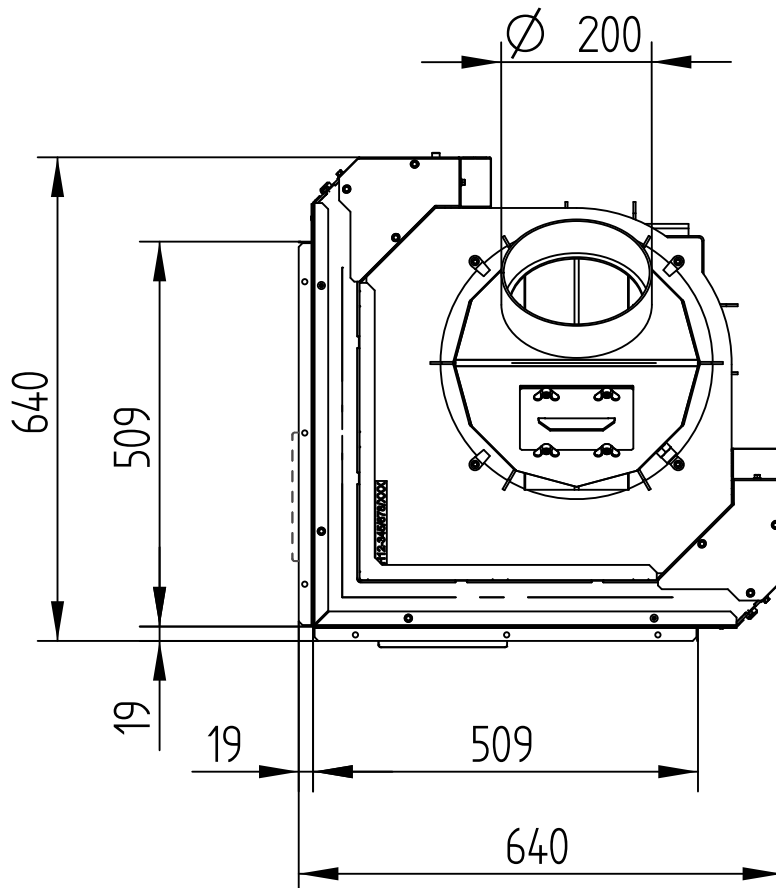


# ECKA 51/51/51h

WITH HOT AIR EXCHANGER

Technical data  
Version 07/2017

M 1 : 10

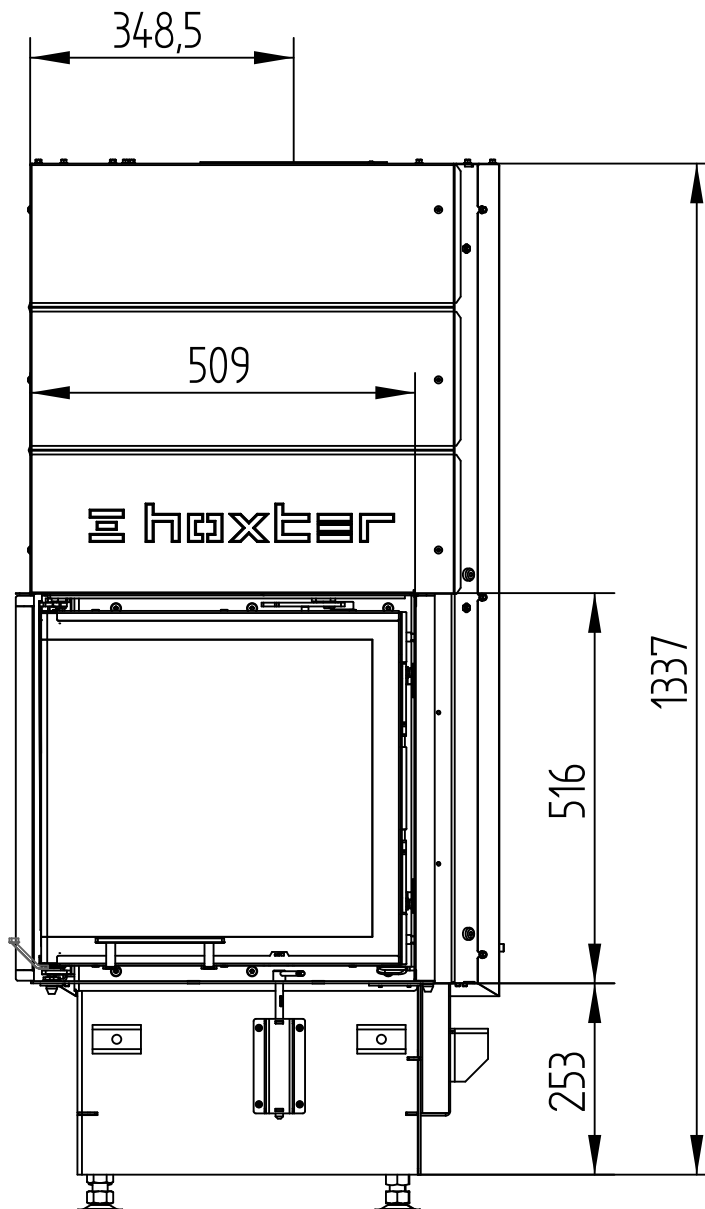


# ECKA 51/51/51h

WITH HOT AIR EXCHANGER VERTICAL

Technical data  
Version 07/2017

M 1 : 10

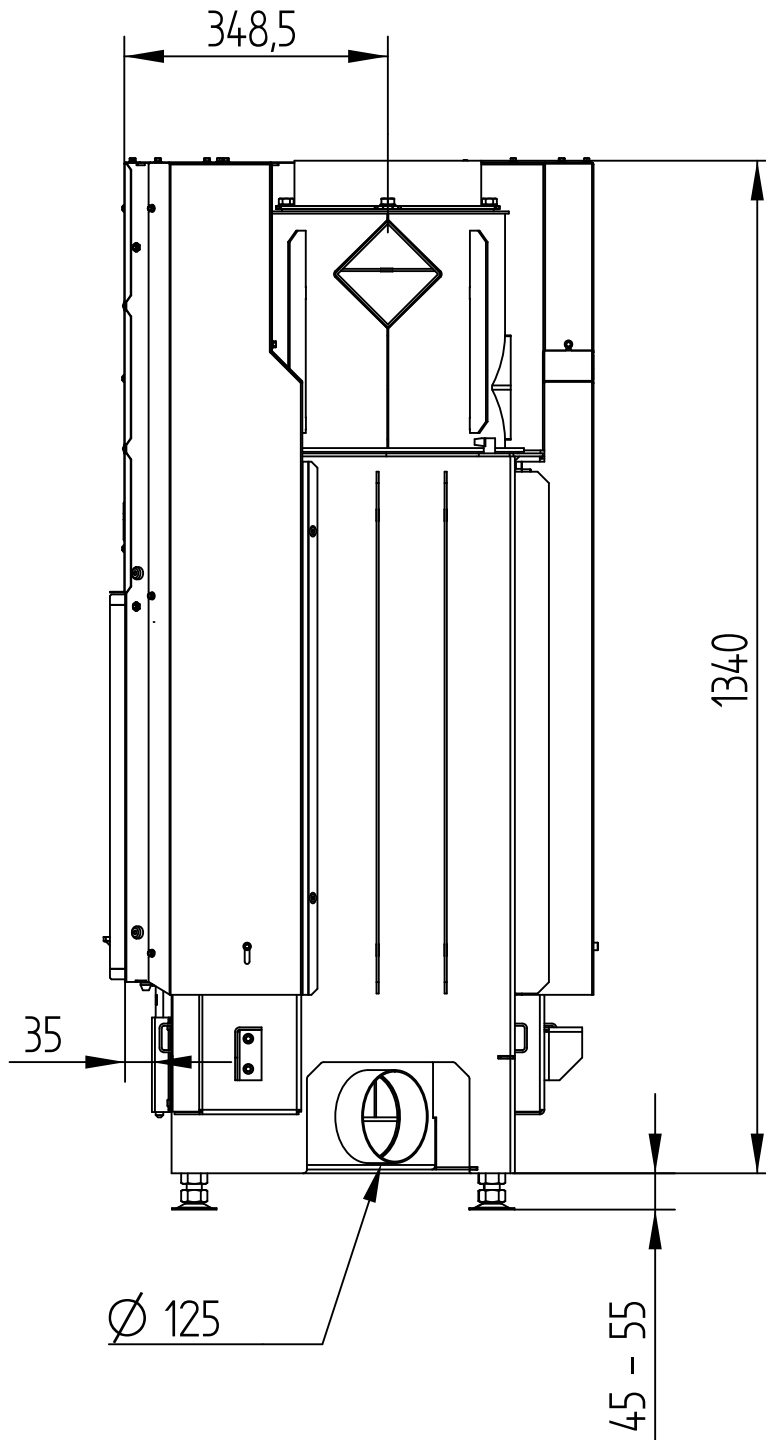


# ECKA 51/51/51h

WITH HOT AIR EXCHANGER VERTICAL

Technical data  
Version 07/2017

M 1 : 10

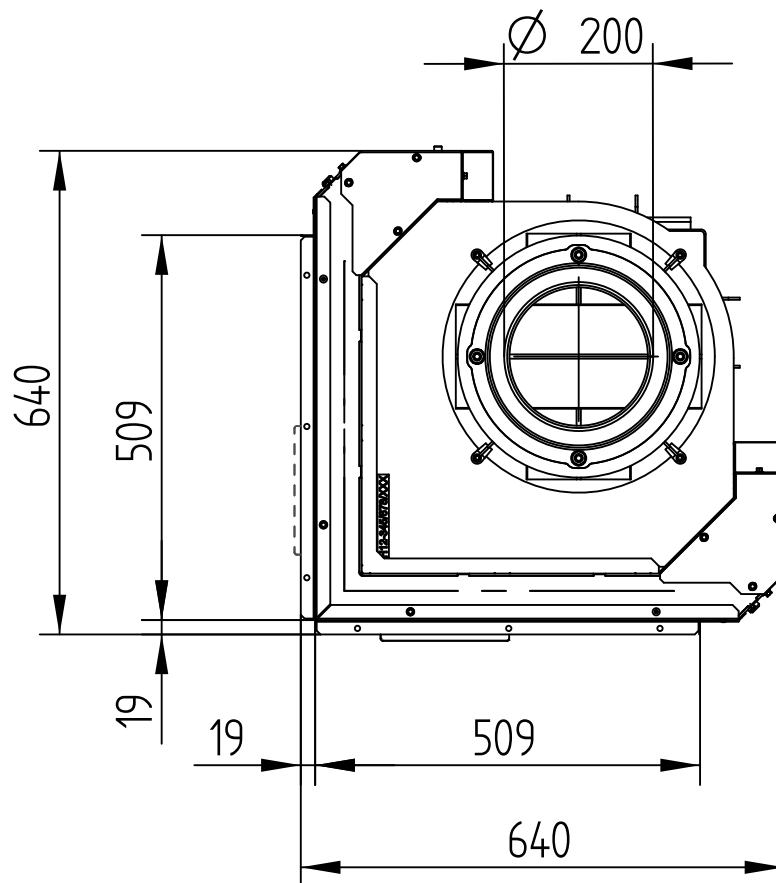


# ECKA 51/51/51h

WITH HOT AIR EXCHANGER VERTICAL

Technical data  
Version 07/2017

M 1 : 10

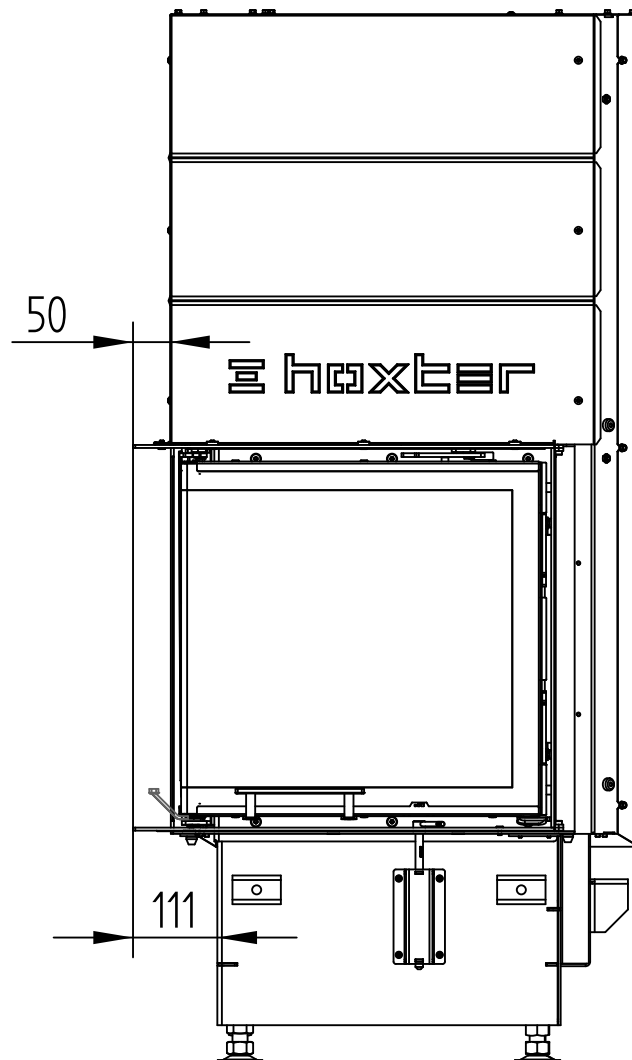


# ECKA 51/51/51h

BUILD-ON FRAME 6-SIDED, 50 mm

Technical data  
Version 07/2017

M 1 : 10

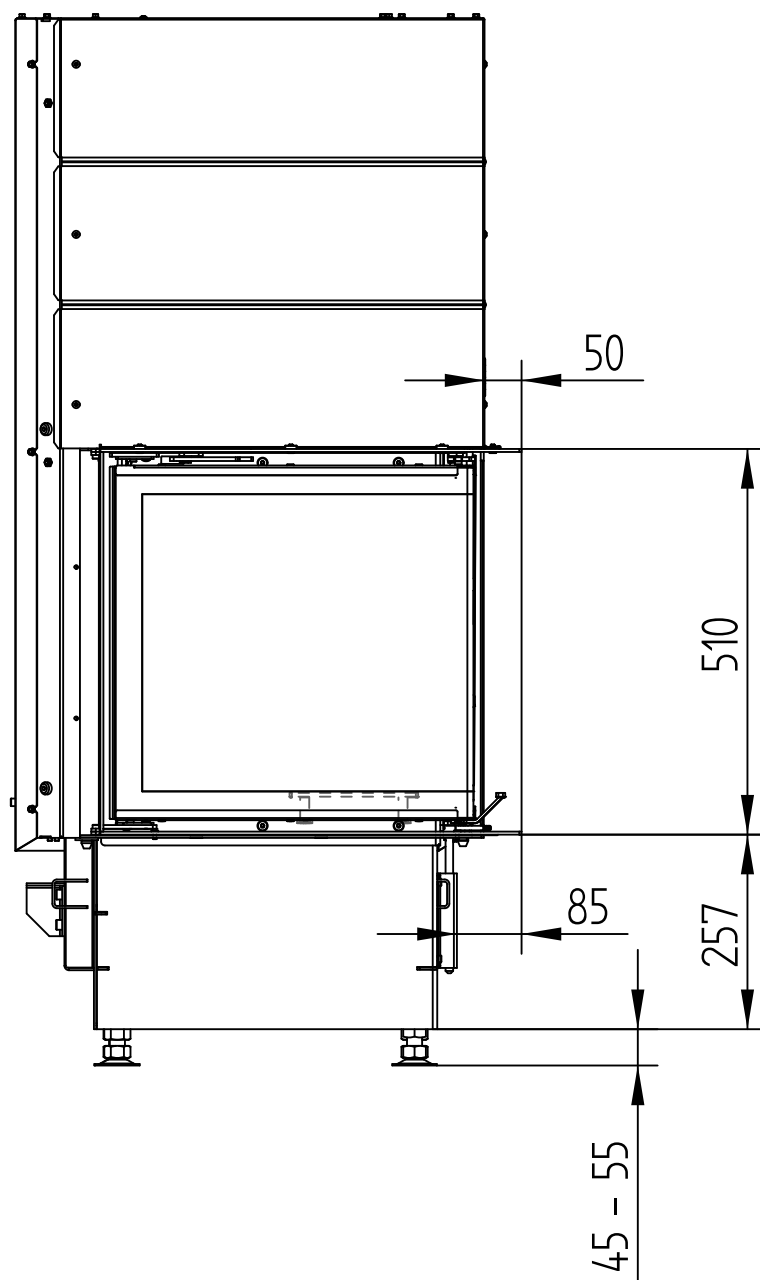


# ECKA 51/51/51h

Technical data  
Version 07/2017

BUILD-ON FRAME 6-SIDED, 50 mm

M 1 : 10

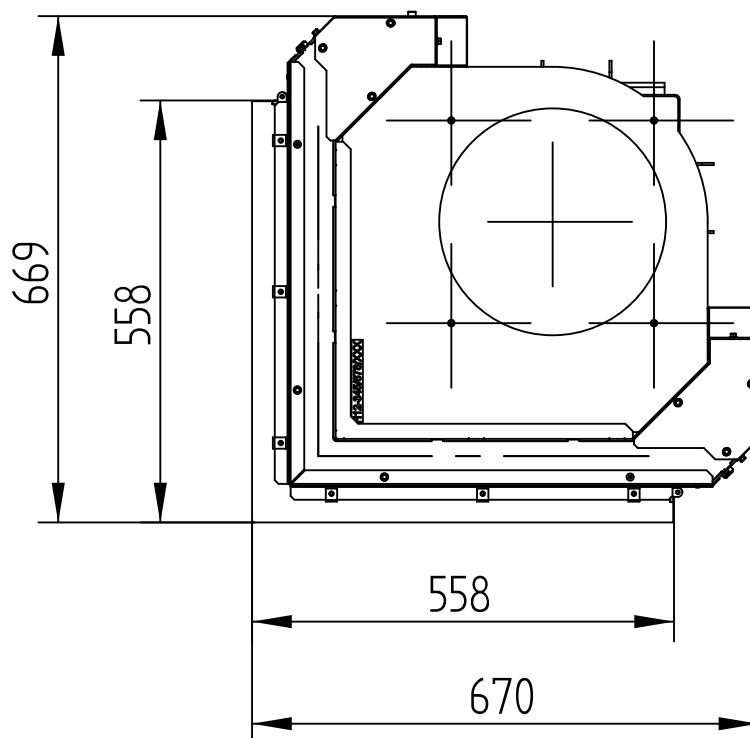


# ECKA 51/51/51h

BUILD-ON FRAME 6-SIDED, 50 mm

Technical data  
Version 07/2017

M 1 : 10



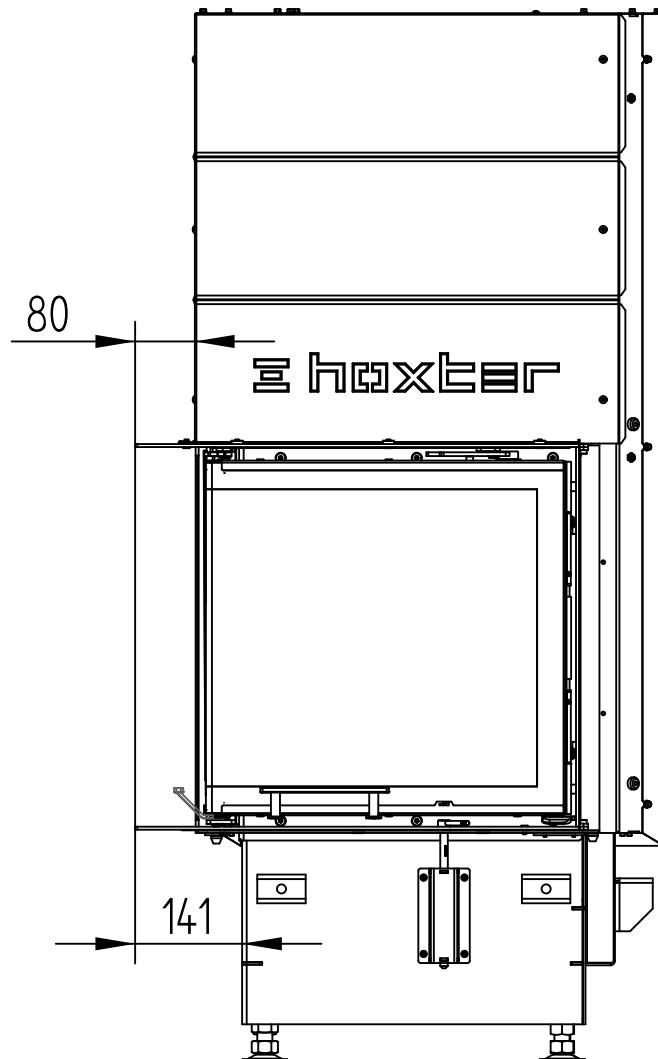


# ECKA 51/51/51h

BUILD-ON FRAME 6-SIDED, 80 mm

Technical data  
Version 07/2017

M 1 : 10

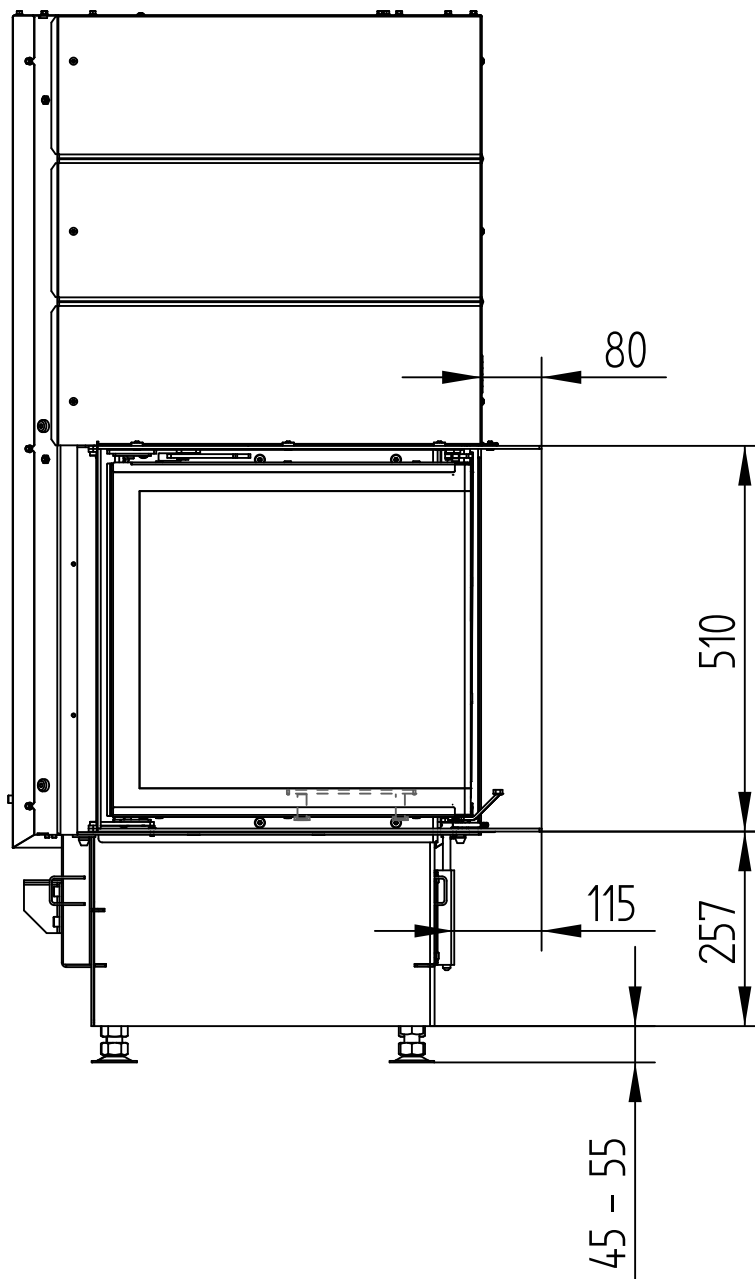


# ECKA 51/51/51h

BUILD-ON FRAME 6-SIDED, 80 mm

Technical data  
Version 07/2017

M 1 : 10

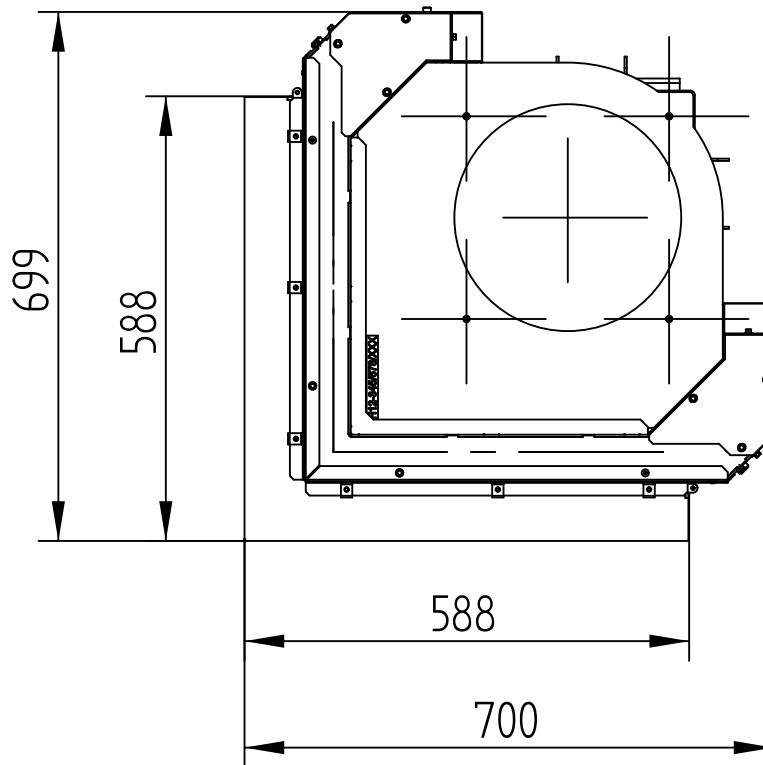


# ECKA 51/51/51h

BUILD-ON FRAME 6-SIDED, 80 mm

Technical data  
Version 07/2017

M 1 : 10

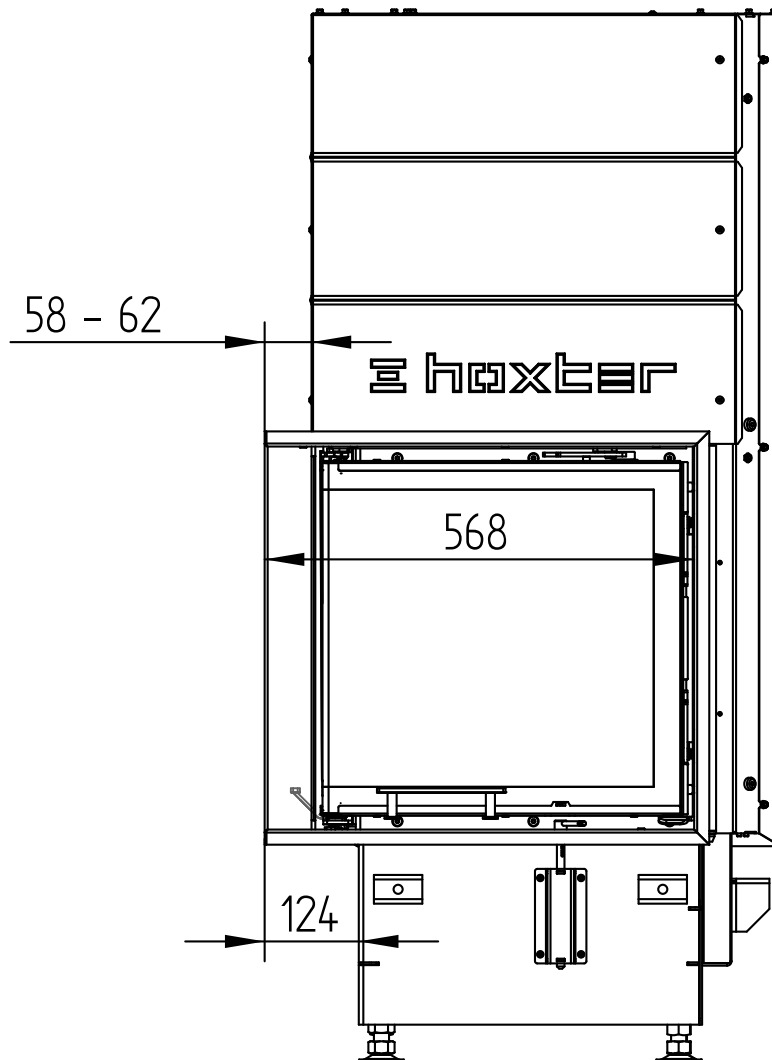


# ECKA 51/51/51h

COVER FRAME 6-SIDED, 60 mm

Technical data  
Version 07/2017

M 1 : 10

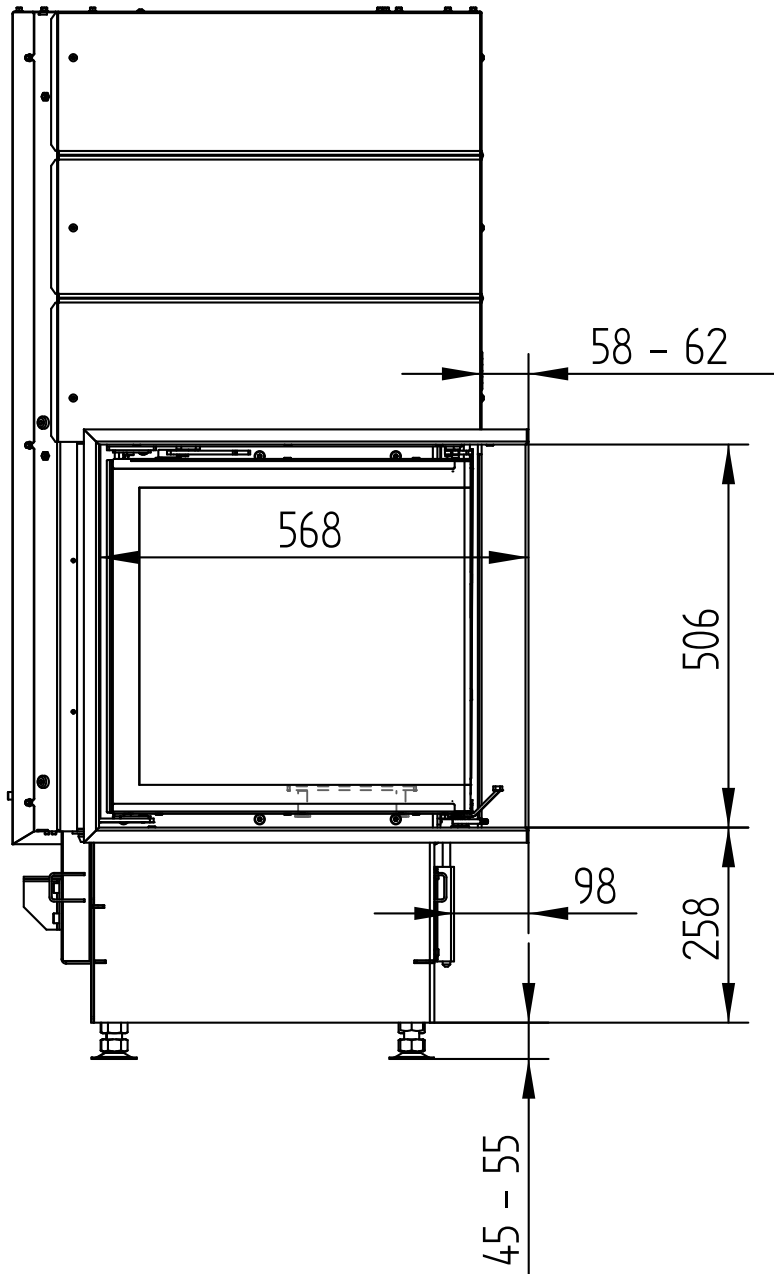


# ECKA 51/51/51h

COVER FRAME 6-SIDED, 60 mm

Technical data  
Version 07/2017

M 1 : 10



# ECKA 51/51/51h

Technical data  
Version 07/2017

COVER FRAME 6-SIDED, 60 mm

M 1 : 10

