



BRIGHT EYES

**DIFFUSER
LENS**

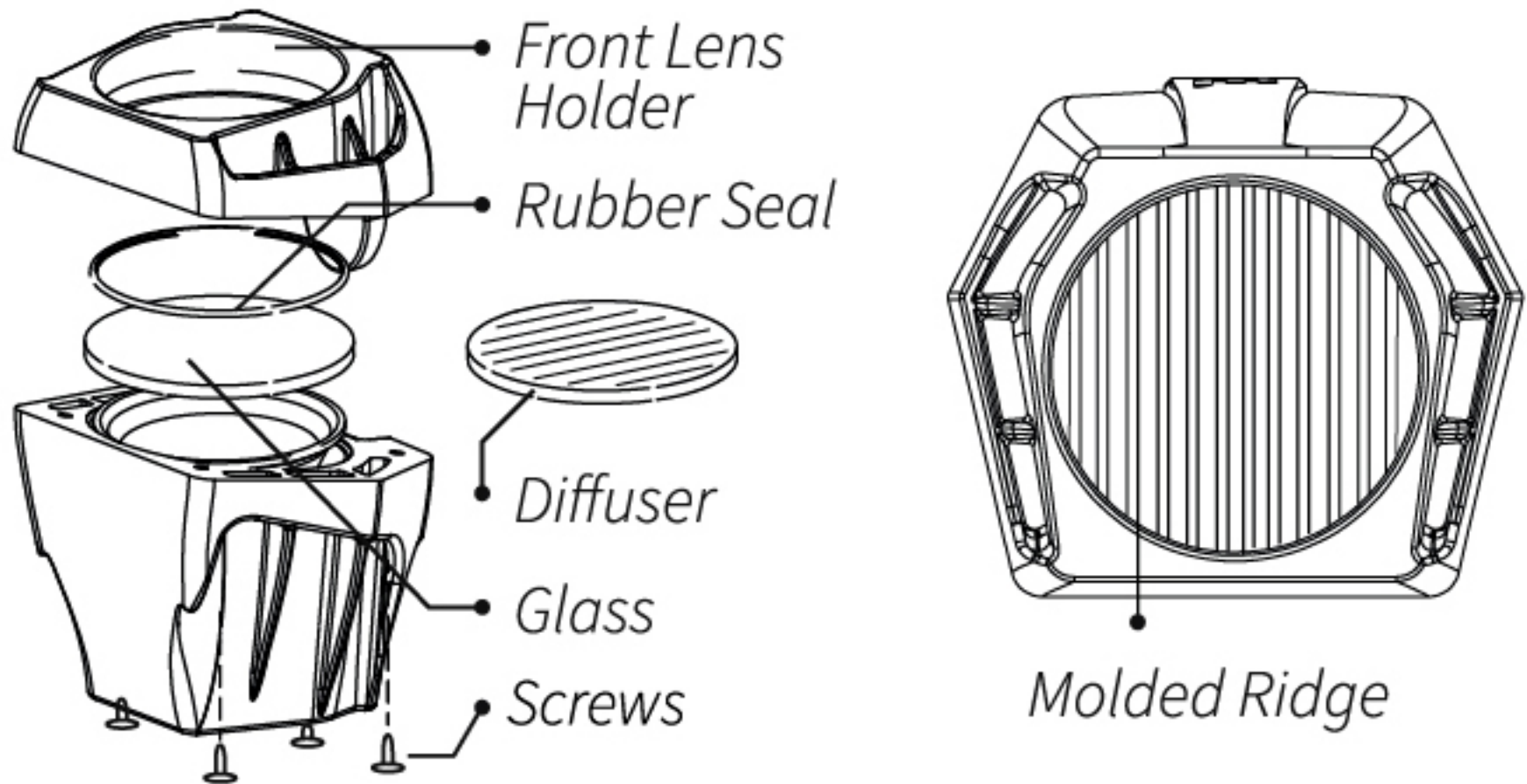


FROM THIS

TO THIS



DIFFUSER LENS INSTALLATION GUIDE



1. Use the Allen wrench provided in the box to remove the 4 screws on the body of the headlight. Make sure the headlight is positioned upwards (as shown in the diagram) before removing the Lens Holder.
2. Remove Lens Holder and replace original glass lens with diffuser lens. (Note that the rubber seal goes before the diffuser lens)
3. While reattaching the Lens Holder and screws, make sure the molded ridges of the diffuser lens are straight up and down (as shown in the diagram) and that the Lens Holder is screwed on tightly.
4. For questions or concerns please contact us at:

service@brighteyesproducts.com
www.brighteyesproducts.com