



BRIGHT EYES

**DIFFUSER
LENS**

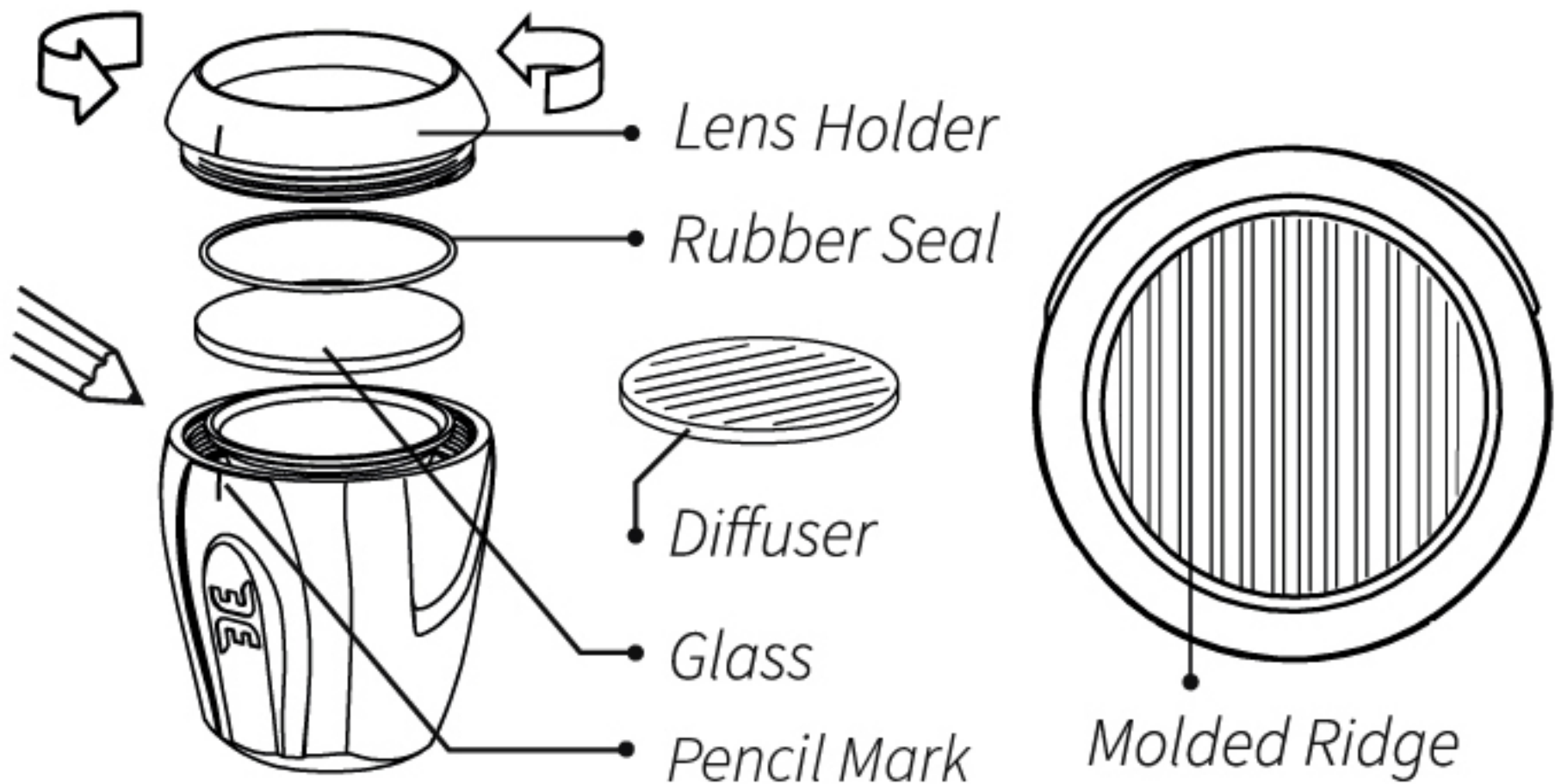


FROM THIS

TO THIS



DIFFUSER LENS INSTALLATION GUIDE



1. To get diffuser lens to line up straight as needed, mark the Lens Holder and headlight with a pencil (as shown in image) before removing lens holder.
2. Holding the front of the headlight upwards, Unscrew the Lens Holder.
3. Replace original glass lens with the diffuser lens lining up with the pencil mark. (Note that the rubber seal goes before the diffuser lens)
4. Screw the Lens Holder back in place so the pencil mark on both the Lens Holder and Headlight Body line up. The Molded Ridge of diffuser should now be straight up and down when light is placed on handlebars.
5. For questions or concerns please contact us at:

service@brighteyesproducts.com
www.brighteyesproducts.com