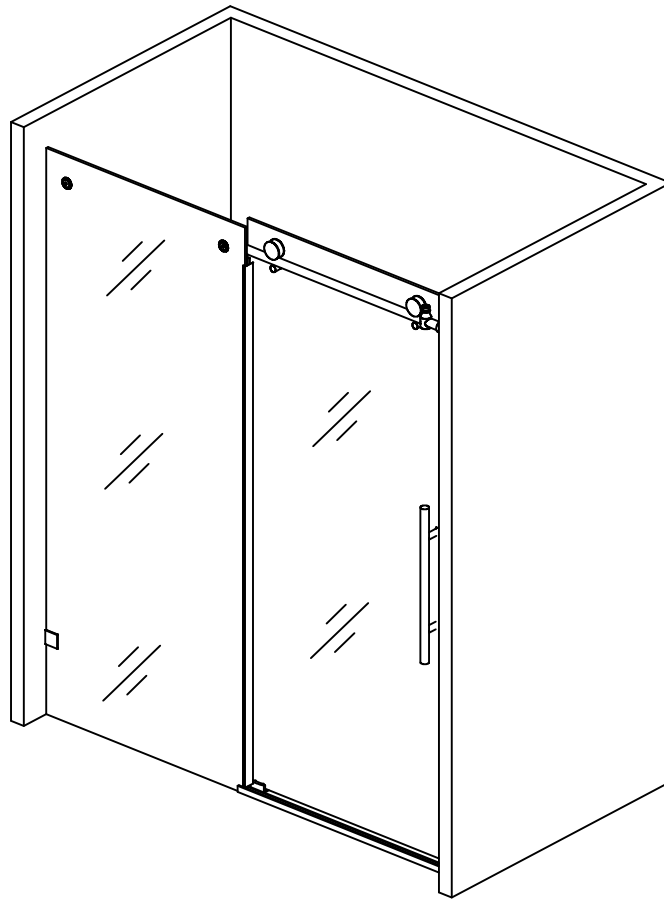


# SUNNY

## SHOWER DOOR (SHOWER ENCLOSURE) INSTALLATION INSTRUCTION

PLEASE REVIEW THIS ENTIRE MANUAL PRIOR TO INSTALLATION

### BP05P2(BP89P2)



**NOTE:**

In order to improve the product and customer experience, we reserve the right to change, modify or re-design the product at any time without notice.

Please refer to the latest technical drawings, installation manuals, warranty information or other product details.

Contact us for any issue prior to return.



**Questions?**

Please Call Customer Support: 626-575-3837

Installation Instructions Video

SUNNY 25/07/23 A01

# SUNNY

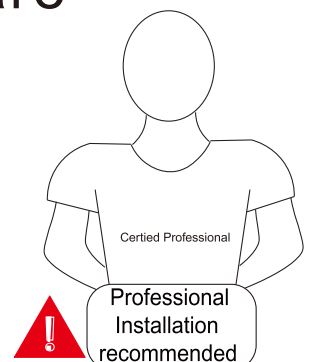
## Important Notice

This product should be installed by personnel familiar with the construction requirements of such projects, and pay attention to safe installation and operation.

- \* To prevent damage or serious injury, do not lean on installed panels/doors/glass.
- \* Do not attempt to lift or move heavy glass alone, use professional glass suction cups when handling alone.
- \* Installation of some models may require drilling holes in the threshold, for any questions regarding drilling holes in the base, tub or threshold material, contact the manufacturer of the base, tub or threshold material.
- \* All drawings in this installation manual are for reference only.



This product should be installed by someone familiar with the construction requirements for this type of project and the care necessary for the safe installation and operation of the product.



# Table of Contents

<b>Section Title</b>	<b>Page #</b>
Warnings and preparations	<b>1</b>
Shower door assembly diagram and bill of materials	<b>2</b>
Clip for wall installation procedure	<b>3</b>
Glass and tension rods installation procedure	<b>4-6</b>
Guide block and water retaining block installation procedure	<b>8-9</b>
Adhesive strip and restricted block installation procedure	<b>10</b>
Adhesive strip and guling installation procedure	<b>11</b>
Product maintenance	<b>12</b>

## ◆ General information

Please inspect the product immediately upon receipt for transit damage, missing packs/parts or manufacturing fault. Damage reported later cannot be accepted. Please handle the product with care avoiding knocks and shock loading to all sides and edges of the glass.



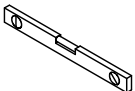
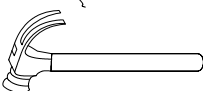
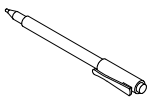
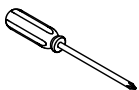
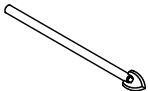

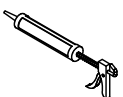
**Note: Safety glass can not be re-worked.**

- Please read these instructions carefully before start of installation.
- Special care should be taken when drilling walls to avoid hidden pipes or electrical cables.
- Note: this product is heavy and required two persons install.

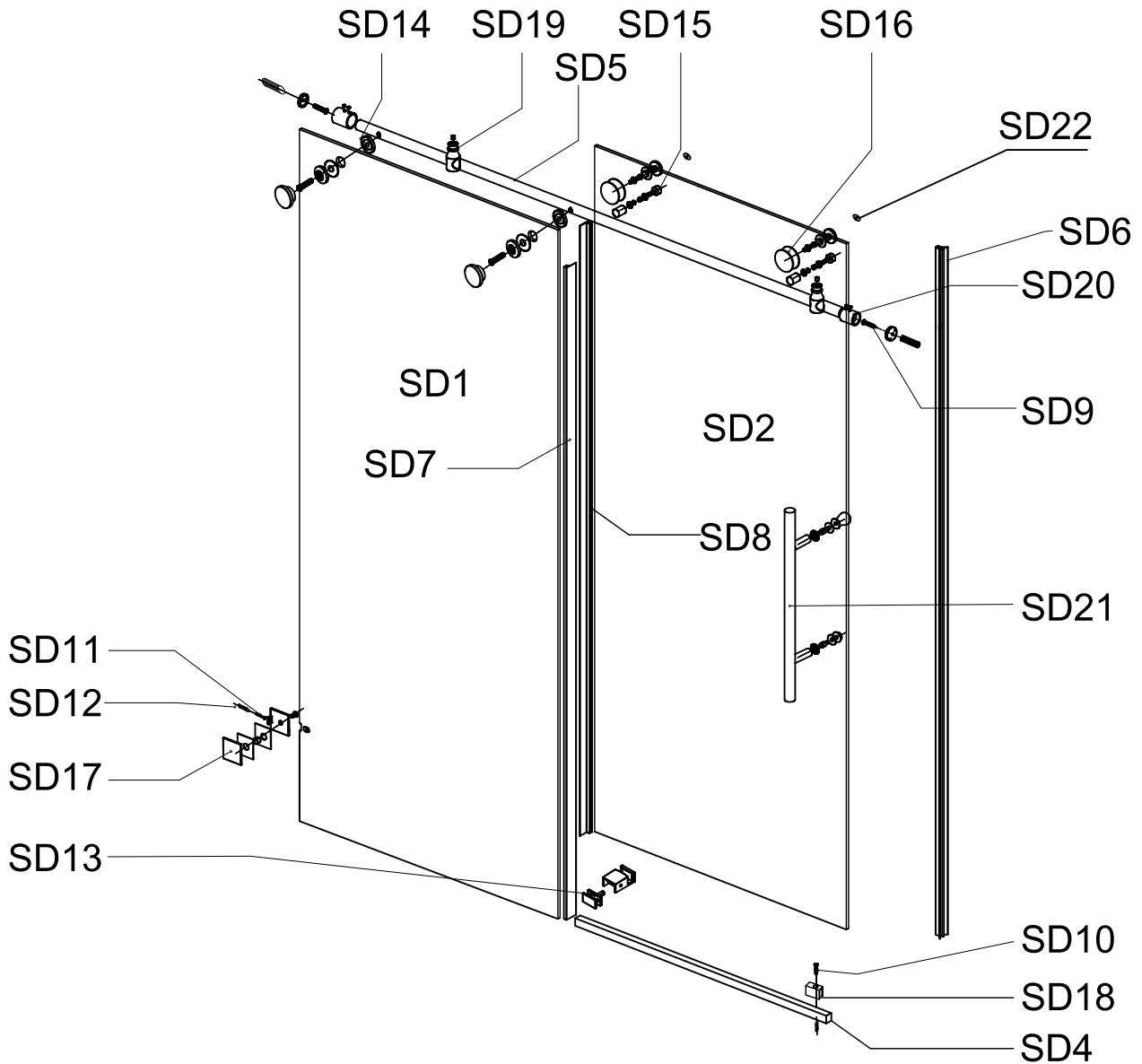
## Aftercare instructions

- After use, your shower should be cleaned with soap and water. This is particularly important in hard water districts where insoluble lime salts may be deposited and allowed to build up.
- Cleaners of gritty or abrasive nature should not be used. Care should be taken to avoid contact with strong chemicals such as organic solvents and strippers.
- Glass cleaners can be used but with caution, if in doubt contact the manufacturer of the cleaner in question.
- Please keep these instructions for aftercare and customer service details.

## TOOLS REQUIRED

DESCRIPTION	PART IMAGE	DESCRIPTION	PART IMAGE
Tape measure		Drill	
Spirit level		Hammer	
Pencil		Cross head Screwdriver	
Ø6/3.2mm Drill bit		Inner hexagon Spanner	
Silicone Sealant			

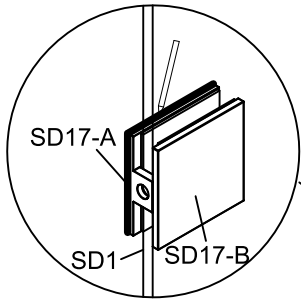
# ASSEMBLY INSTRUCTIONS-DRAWING



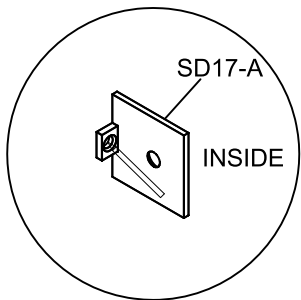
NO.	Description	QTY	Diagram
SD9	Metric Screw(3.9x30)	2	
SD10	Metric Screw(3.9x25)	1	
SD11	Metric Screw(3.9x30)	1	
SD12	Wall anchor	4	
SD13	Guide block	1	
SD14	Fixed clip	2	
SD15	Restricted block	2	

NO.	Description	QTY	Diagram
SD16	Roller	2	
SD17	Wall clamp	1	
SD18	Restricted block	1	
SD19	Locating block	2	
SD20	Tension rods component	2	
SD21	Handle	1	
SD22	Cap	4	

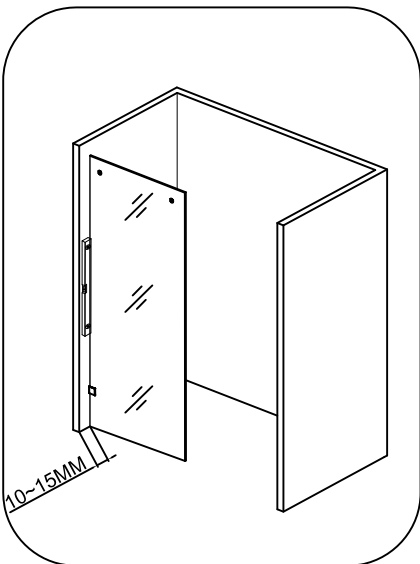
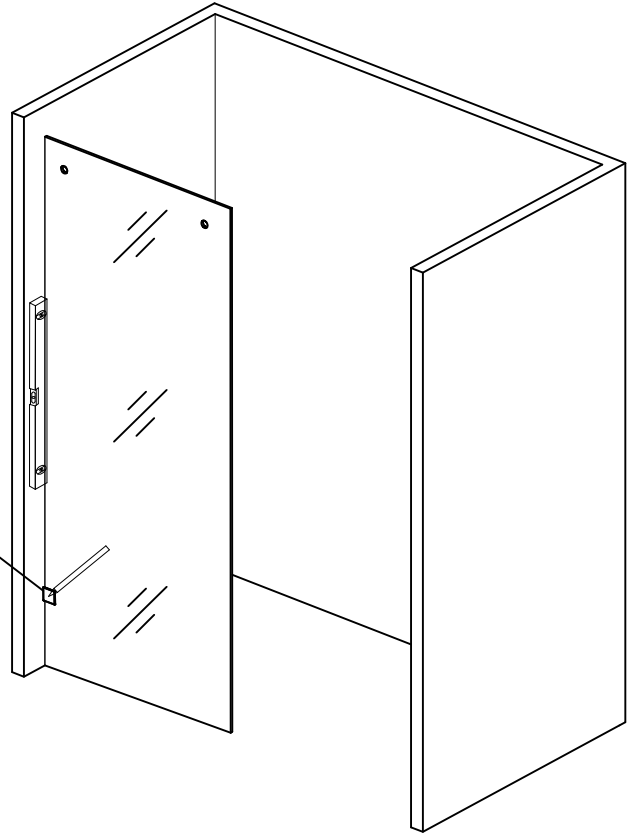
# Step 1



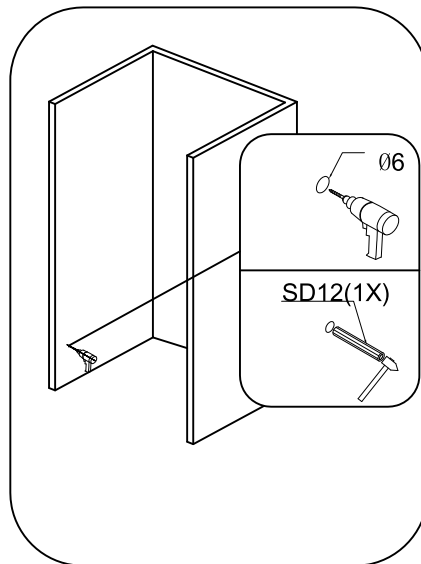
For position the Part SD17-A, use a pencil to draw the outer outline of Part SD17-A on the inside of the room body.



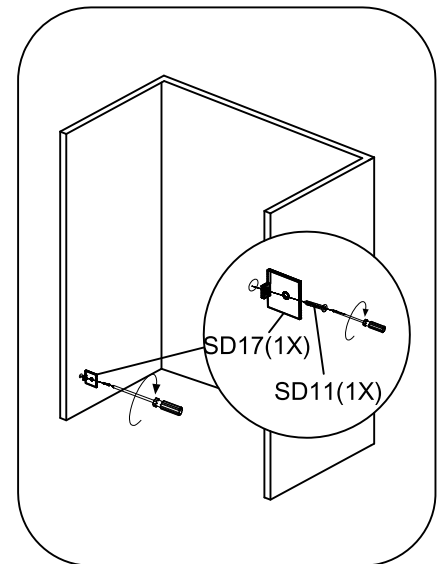
Remove the glass Part SD1, keep Part SD7-A on the wall and draw its outline, and finally mark the positioning holes of Part SD7-A with a pencil.



1.1 Firstly, put the Part SD17 and the glass Part SD1 together and place them against the wall at 10~15mm from the edge of the sump, use a level to determine the horizontal position, make sure the glass Part SD1 is vertical, and then draw the hole position with a pen.



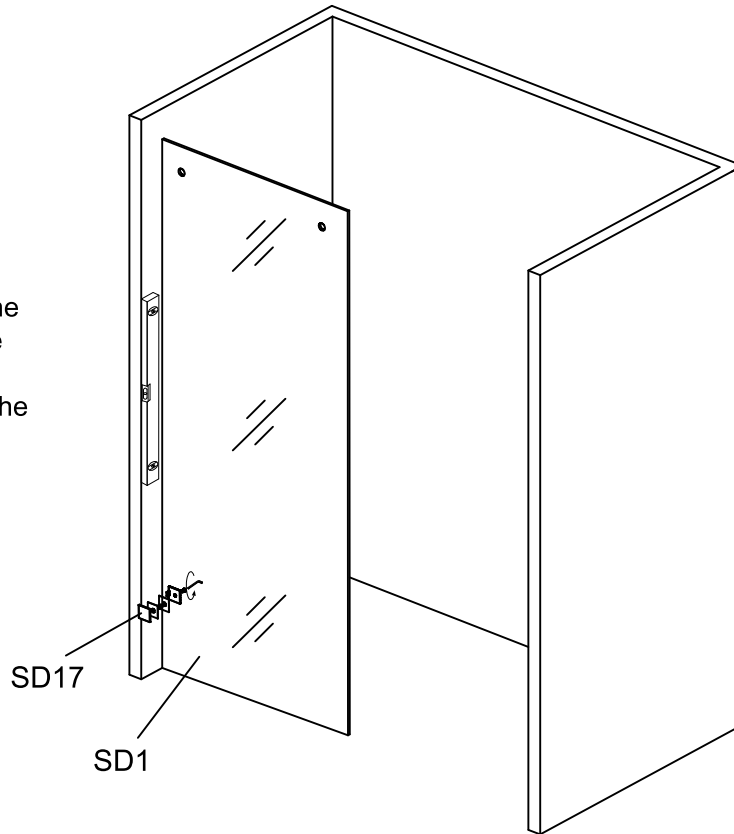
1.2. Use  $\varnothing 6$ mm drill bit to drill holes on the drawn holes, and then punch in Part SD12.



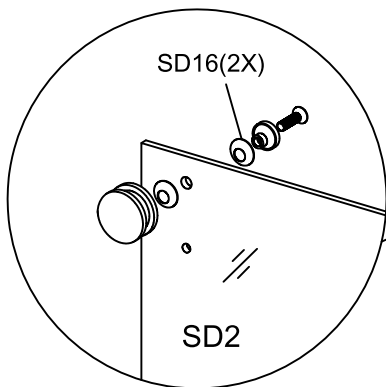
1.3. Securing Part SD17 to the wall with Part SD11.

## Step 2

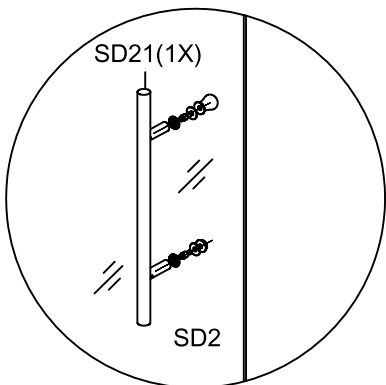
2.1. Place the Part SD17 and the glass Part SD1 firmly against the wall and mark the horizontal line with a spirit level to ensure that the glass is vertical.



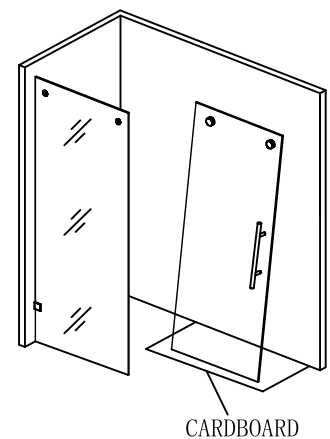
## Step 3



3.1. Attach Part SD16 to the hole at the top of the glass Part SD2.

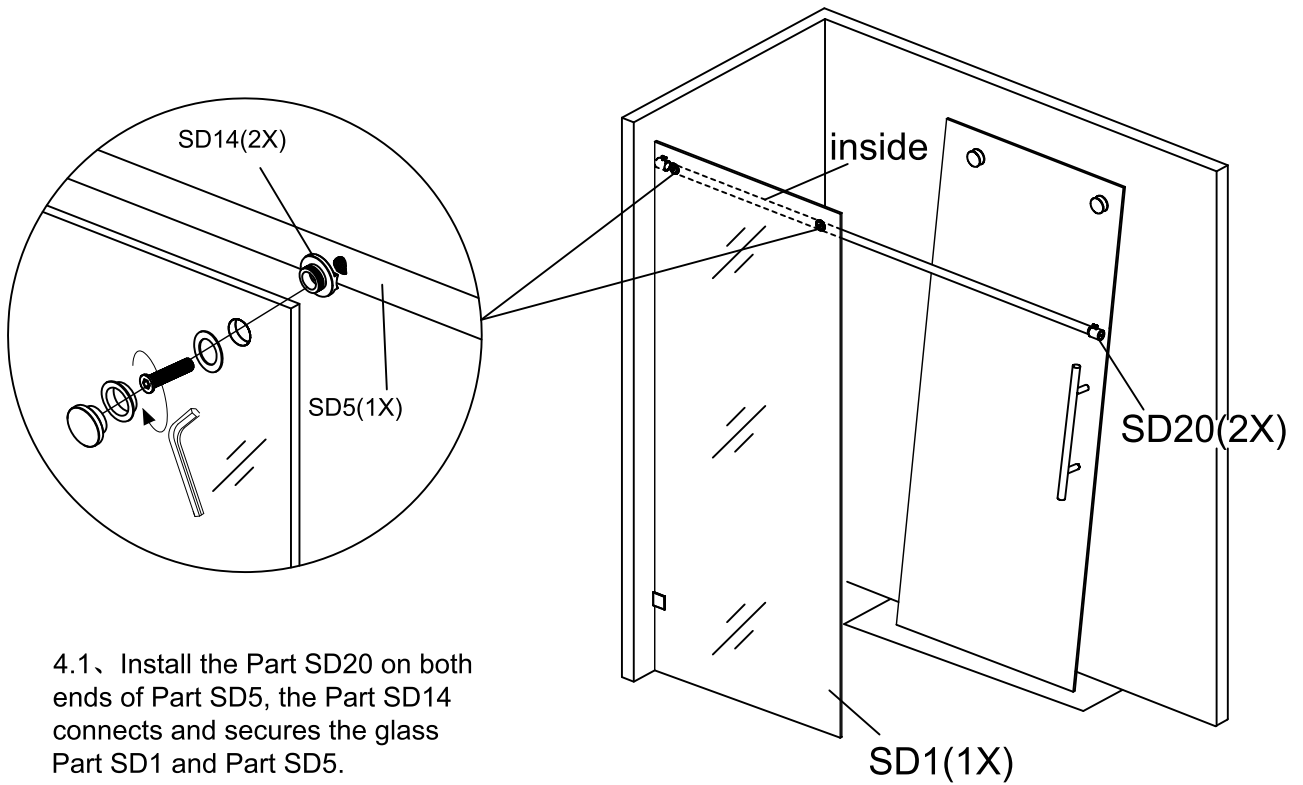


3.2. Attach Part SD21 to the middle edge of the glass Part SD2.



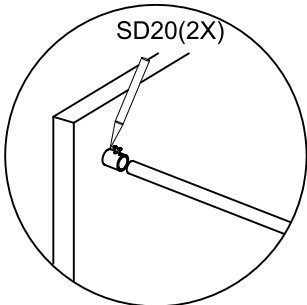
3.3. To facilitate the subsequent installation procedure, Place the assembled glass Part SD2 inside the shower door. (note: cardboard is placed at the bottom of the glass).

## Step 4

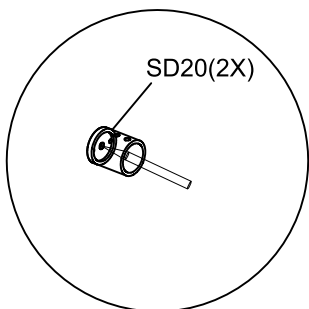


4.1. Install the Part SD20 on both ends of Part SD5, the Part SD14 connects and secures the glass Part SD1 and Part SD5.

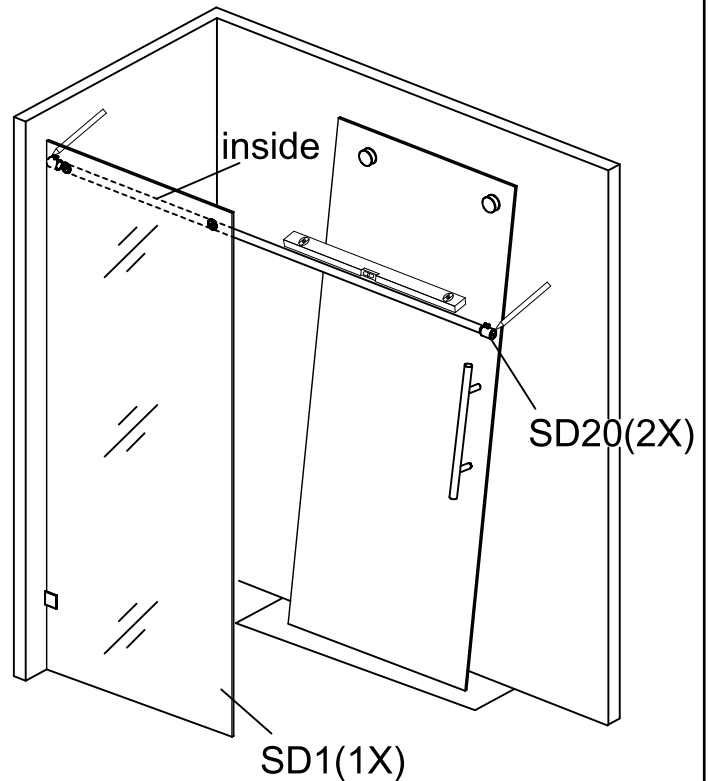
## Step 5



5.1. Once Part SD5 and the glass Part SD1 have been fitted, set the tension rods to level (measured with a spirit level), then hold the ends of the tension rods close to the wall and draw the outline of Part SD20 with a pencil.

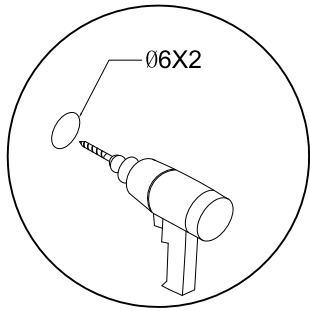


5.2. Remove the tension rods and cover the outline of Part SD20 with Part SD20, marking the location of Part SD20 mounting holes with a pencil.

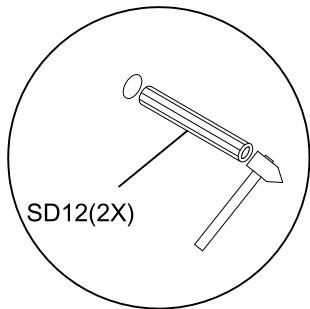




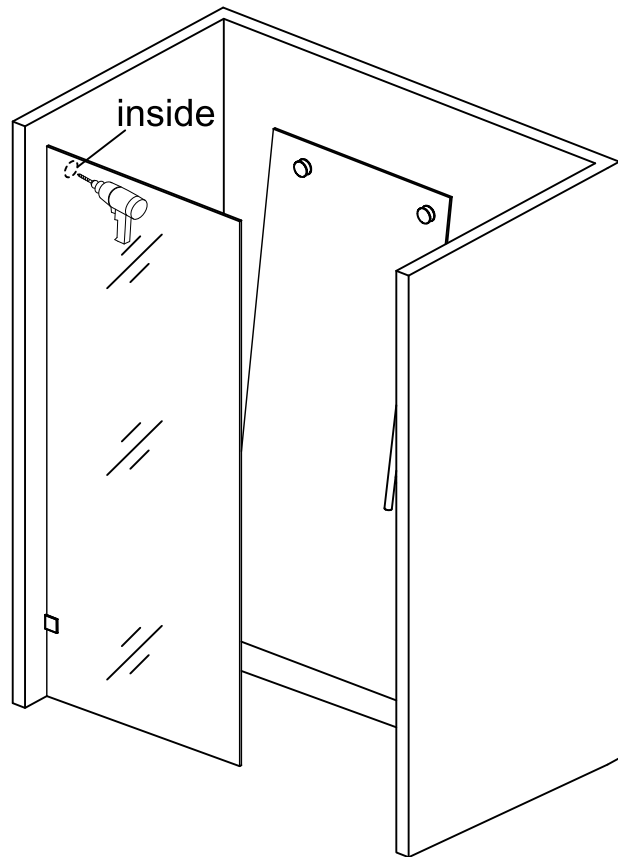
## Step 6



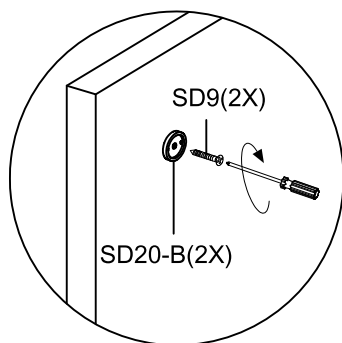
6.1. Drill holes in the drawn holes with a Ø6mm drill.



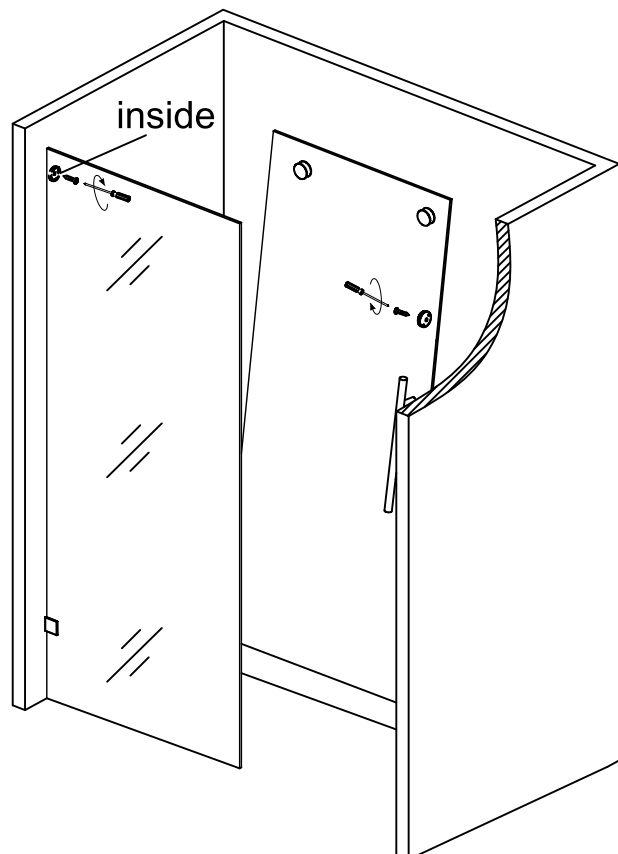
6.2. Punch in Part SD12 with a hammer.



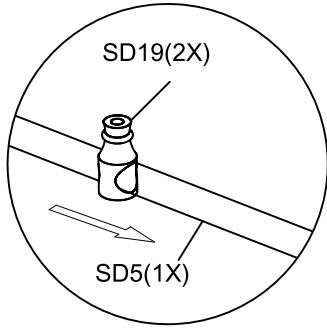
## Step 7



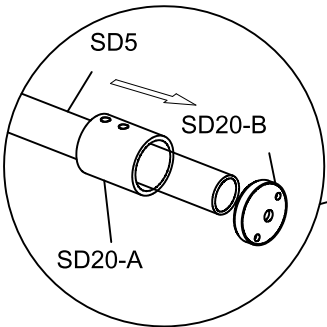
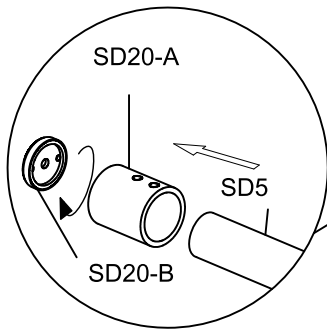
7.1. On both walls, lock the Part SD20-B assembly with Part SD9.



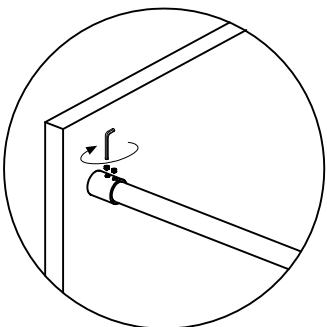
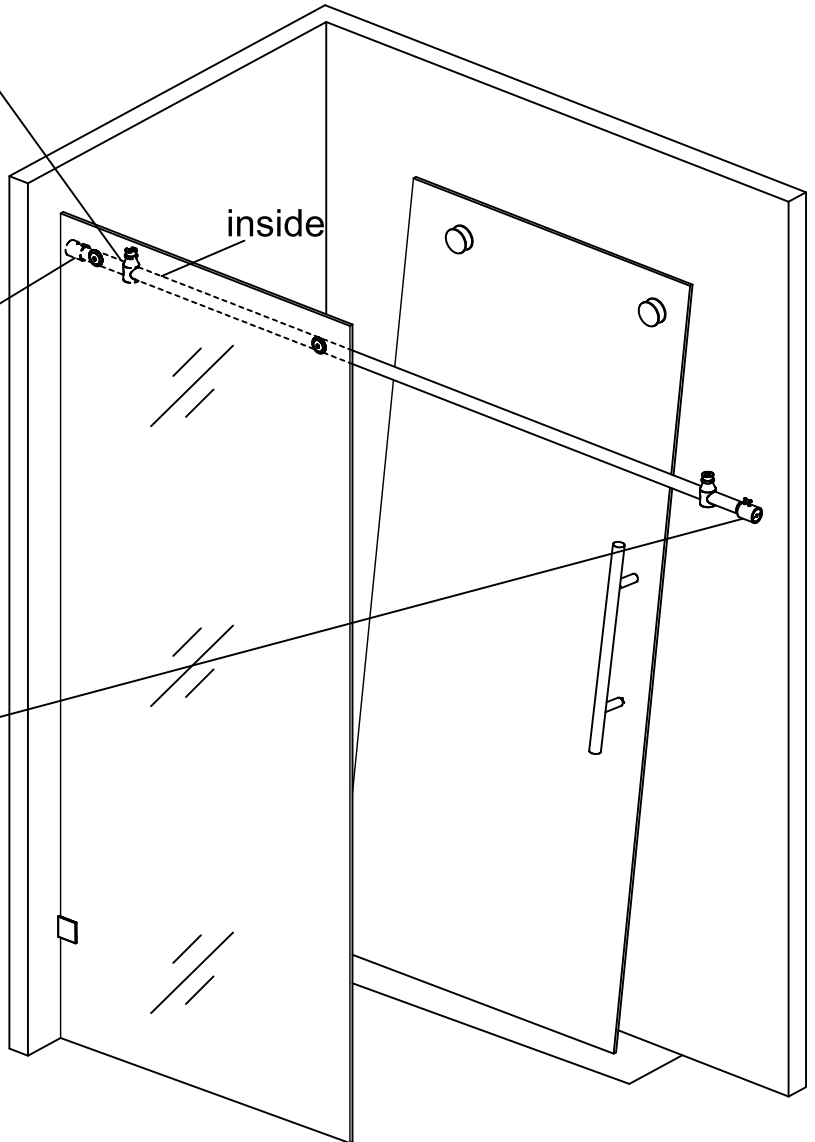
# Step 8



8.1. Firstly, thread the two Part SD19s onto the tension rods Part SD5.

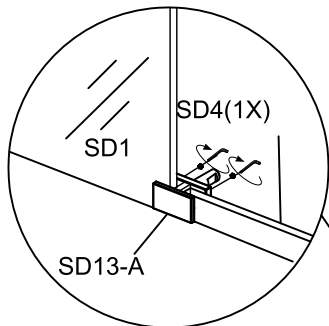


8.2. Firstly, mount the Part SD20-B on one side, tighten and attach to the Part SD20-A. Then thread the tension rods into Part SD20. Finally, thread the other Part SD20-A, into the tension rods, adjust the position of the tension rods and connect Part SD20-A to Part SD20-B to complete the installation.

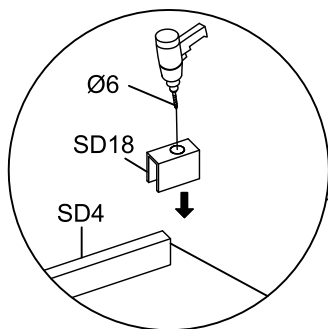


7 8.3. Tighten Part SD20 and Part SD5 on both sides.

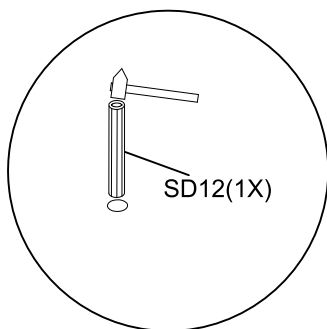
## Step 9



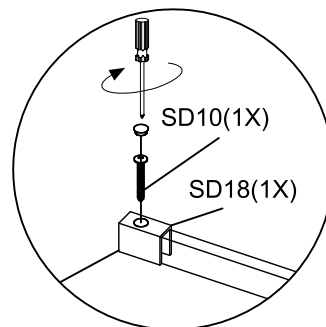
9.1. Snap the Part SD13-A into the glass Part SD1, then snap the Part SD4 into Part SD13-A, then adjust Part SD4 parallel to the glass Part SD1, and finally lock them in place.



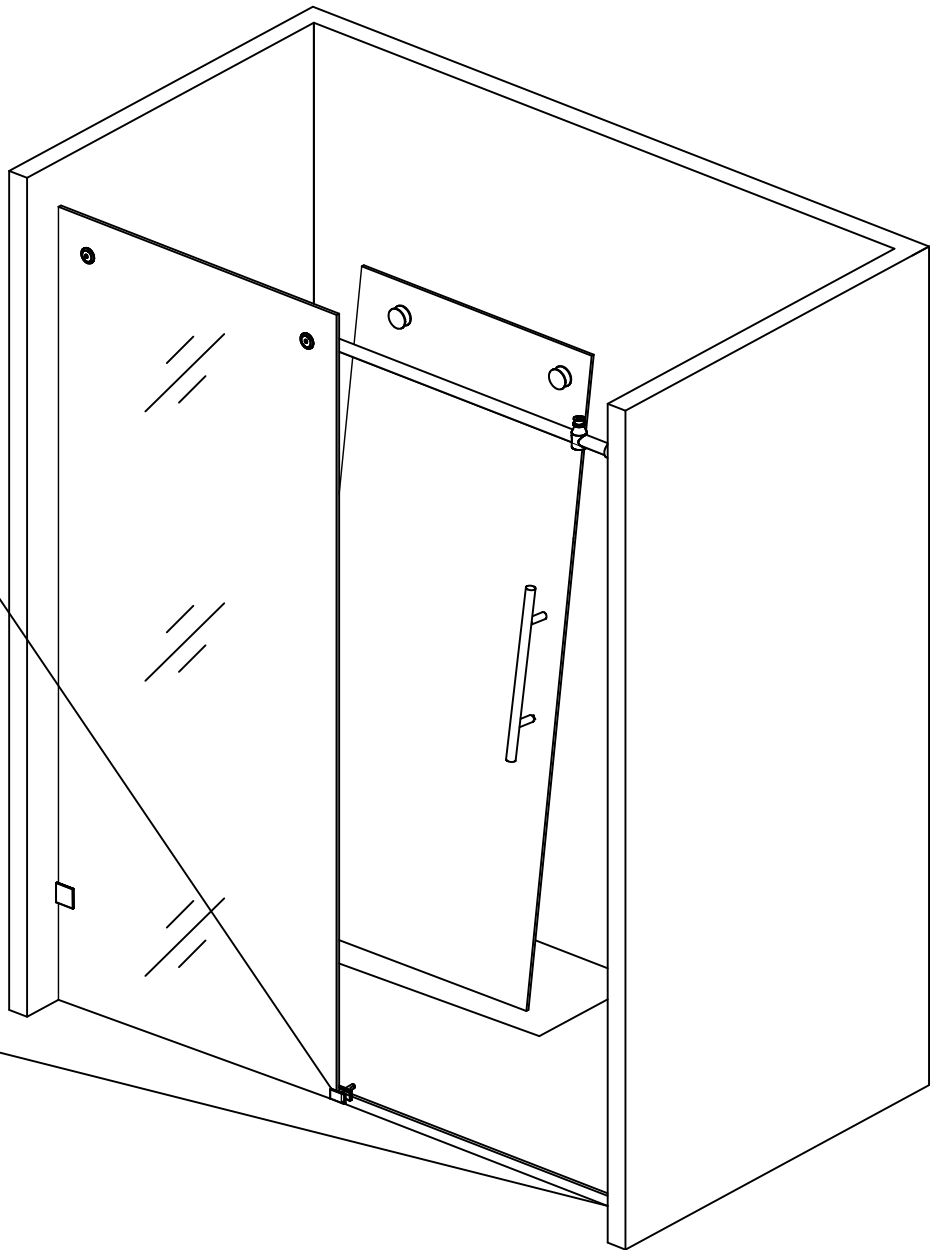
9.2. Snap the Part SD18 into the Part SD4 and drill a hole in the Part SD18 with a  $\phi 6$  drill bit.



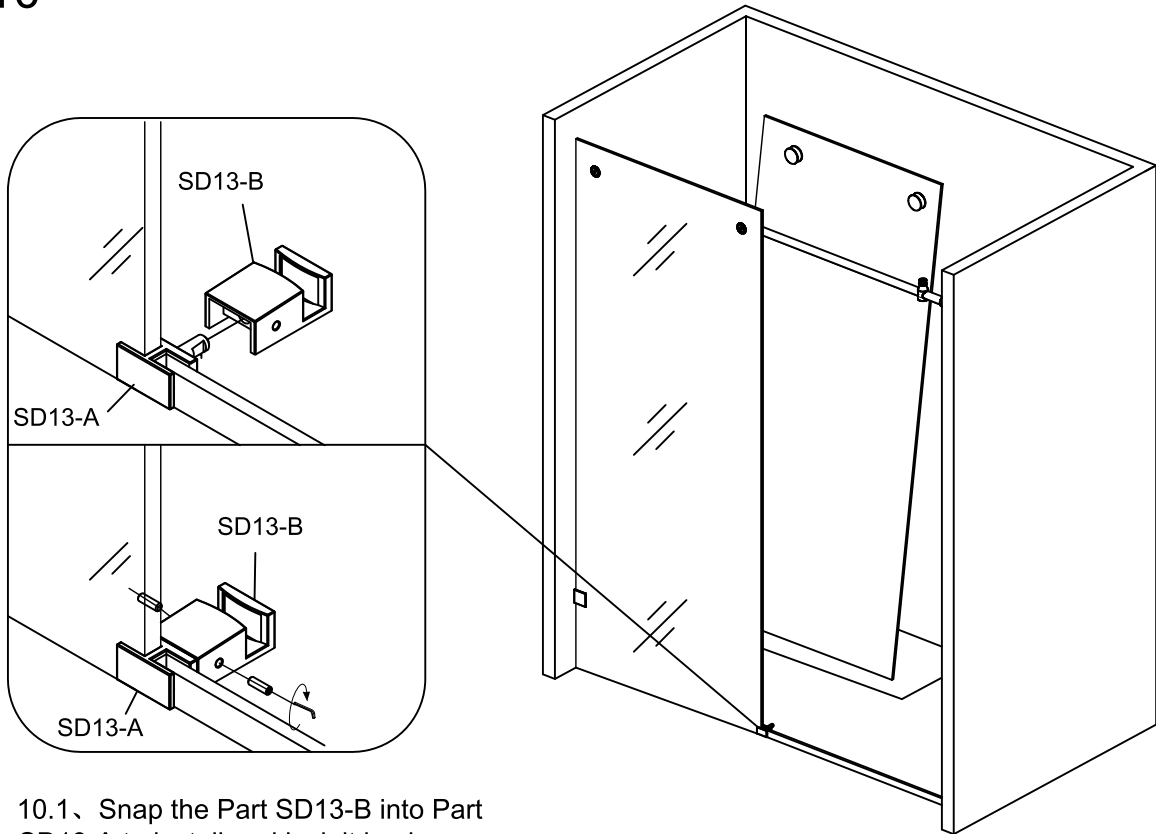
9.3. Punch Part SD12 into the drilled hole.



9.4. Lock Part SD18 with Part SD10 and install the decorative cover.

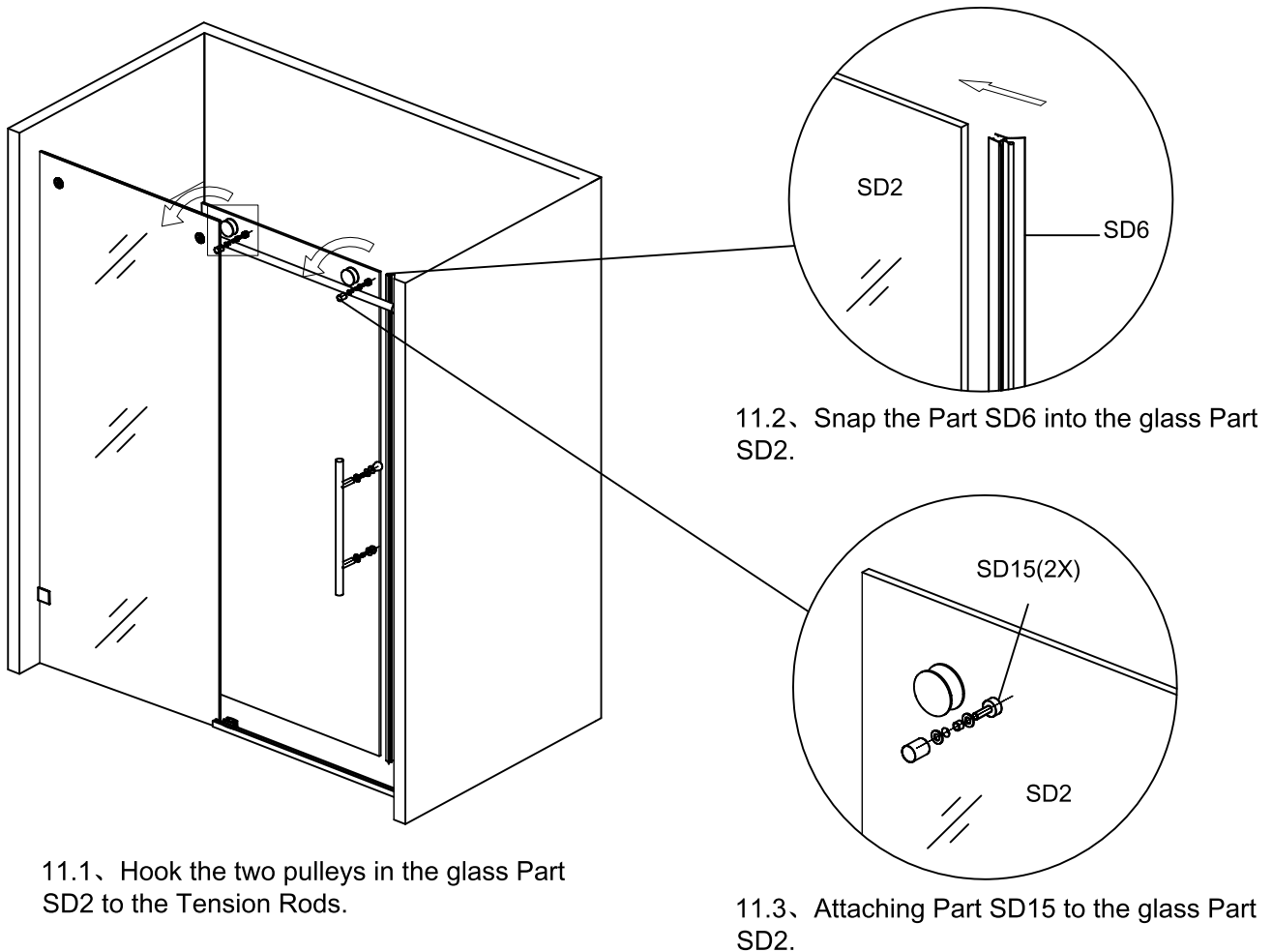


## Step 10



10.1. Snap the Part SD13-B into Part SD13-A to install and lock it in place.

## Step 11

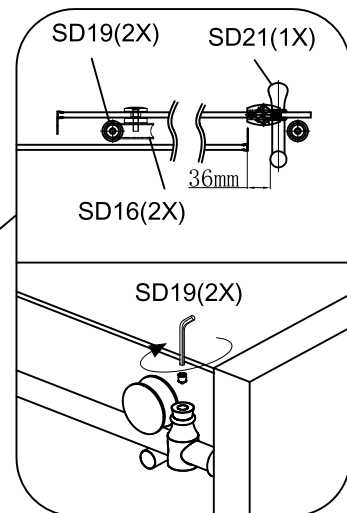
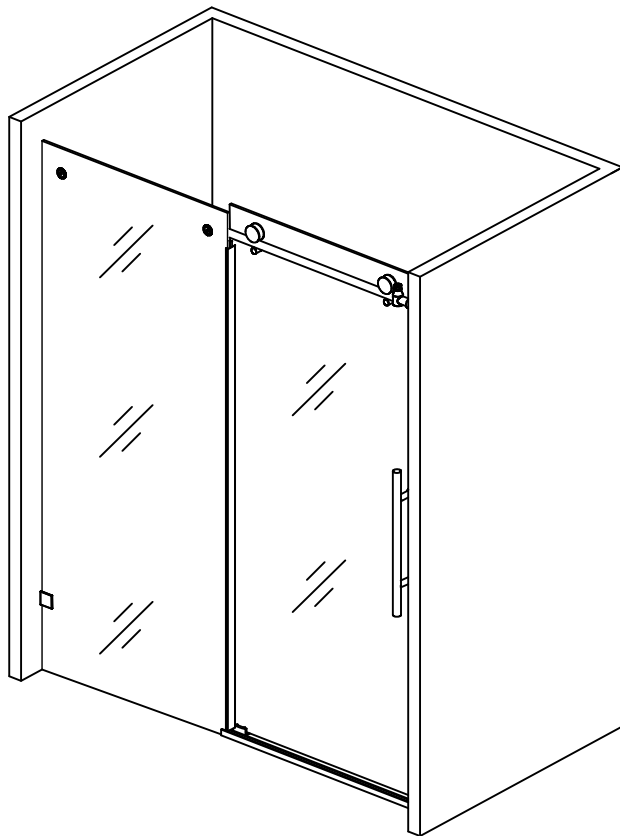


11.1. Hook the two pulleys in the glass Part SD2 to the Tension Rods.

11.2. Snap the Part SD6 into the glass Part SD2.

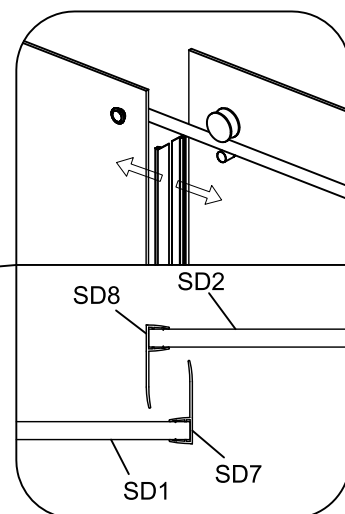
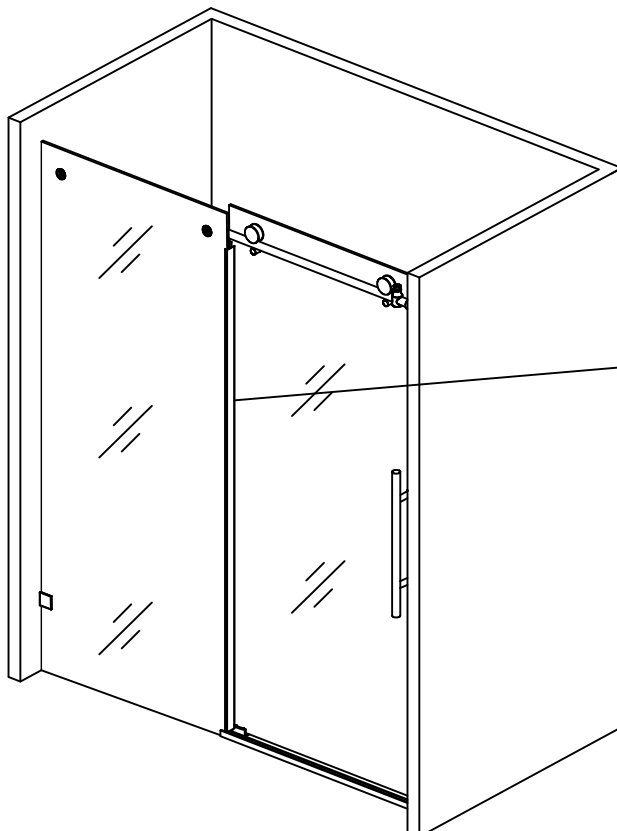
11.3. Attaching Part SD15 to the glass Part SD2.

## Step 12



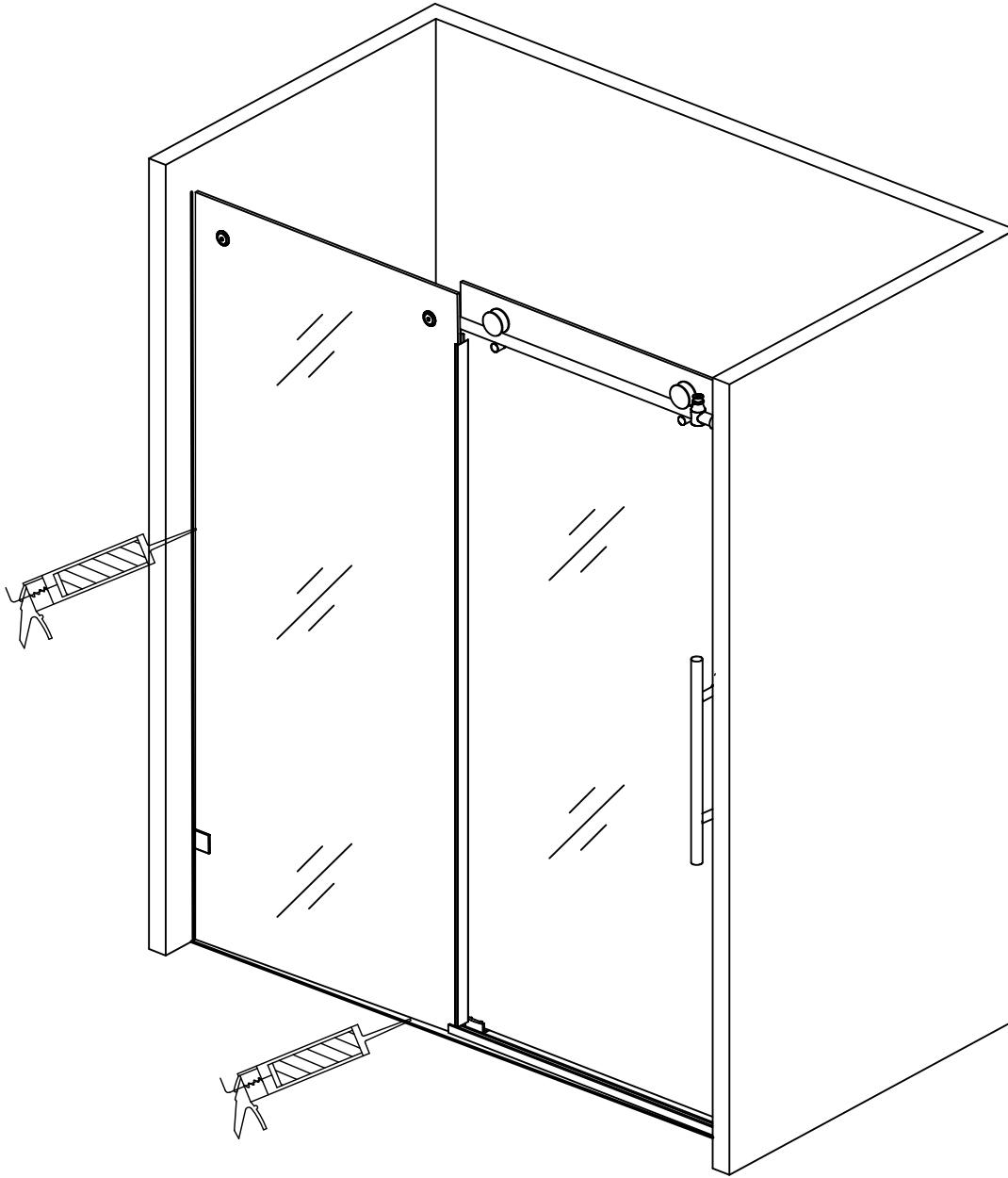
12.1. In order to adjust the position of Part SD19. When opening the door, make sure that the distance between the handle and the edge of the glass door is about 36mm; on the other side, when closing the door, make sure that the adjustment is made so that the adhesive strip fits the wall, and finally lock Part SD19 .

## Step 13

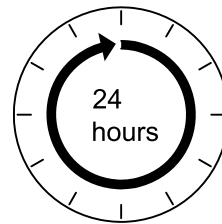


13.1. Attach Part SD7 to the glass Part SD1 and Part SD8 to the glass Part SD2

## Step 14



14.1、 Apply glass adhesive to the outer edges of the mounted product, pay attention to keep dry within 24 hours.



Allow 24 hours for silicone to dry before use.  
Silicone on the outside edge only

## Product Maintenance

BASES and BACKWALLS: To ensure long lasting life for your acrylic back walls: wipe them off after each use with a soft cloth. To clean the acrylic back walls use non-abrasive sprays or cream based cleaners. Avoid the use of aerosol spray cleaners. Never use abrasive cleansers, metal brushes or scrapers that could permanently scratch or dull the surface.

GLASS: To ensure long lasting life for your glass shower products: wipe them off after each use with a soft cloth. Rinse and wipe off the glass using either a soft cloth or a squeegee to prevent soap buildup and water spots (Hard water can etch the surface of the glass over time if left to dry). To prevent scratching the surface: never use abrasive cleaners or cleaning products that contain scouring agents. Never use bristle brushes or abrasive sponges that may scratch the surface of the glass.

HARDWARE: To ensure a long lasting finish: wipe off all metal parts after each use with a soft cloth. Do not use abrasive cleaners or cleaning products containing ammonia, bleach or acid. If accidentally used, rinse the surface as soon as possible to prevent damage to the finish (peeling or corrosion). After cleaning the polished finishes, rinse thoroughly and wipe dry with a soft clean-cloth. Clean stainless steel surfaces at least once a week. When applying stainless steel cleaner or polish to stainless steel hardware, work with the grain (not across the grain). Never use an abrasive sponge or cloth, steel wool or wired brush as these may permanently scratch the surfaces.



To maximize the life of your door, it is important to regularly inspect the glass and other hardware for misalignment, proper attachment, and/or damage.

### Maintenance Checklist

Check that the unit is stable, operates smoothly and that the installation is secure

Confirm that all screws are tight

Confirm that all vinyl seals are intact (replace if missing or damaged to prevent water leakage)

Inspect exposed and concealed glass edges for damage

Damaged Glass Must be Replaced

# SUNNY

---

**TEL: 626-575-3837**