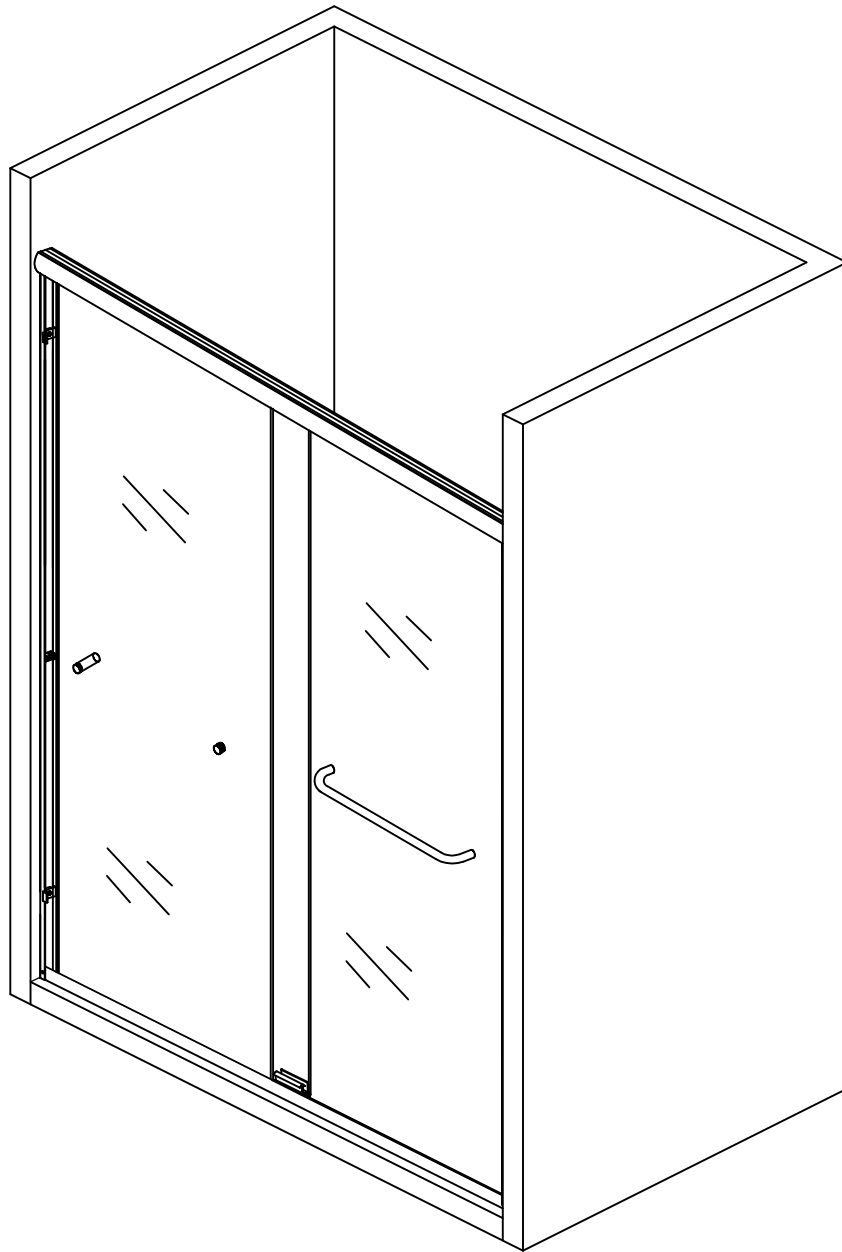


# B020 Series



Parts such as accessory boxes、 handle etc are stored with the aluminum frame



Installation Instructions Video

## ◆ General information

Please inspect the product immediately upon receipt for transit damage, missing packs/parts or manufacturing fault. Damage reported later cannot be accepted. Please handle the product with care avoiding knocks and shock loading to all sides and edges of the glass.

### **Note: Safety glass can not be re-worked.**


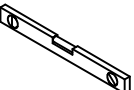
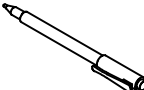
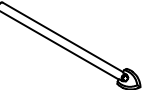

- Please read these instructions carefully before start of installation.
- Special care should be taken when drilling walls to avoid hidden pipes or electrical cables.
- Note: this product is heavy and required two persons to install.


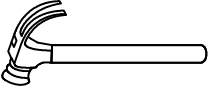
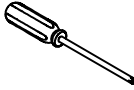
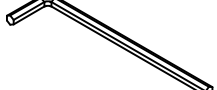

## Aftercare instructions

- After use, your shower should be cleaned with soap and water. This is particularly important in hard water districts where insoluble lime salts may be deposited and allowed to build up.
- Cleaners of gritty or abrasive nature should not be used. Care should be taken to avoid contact with strong chemicals such as organic solvents and strippers.
- Glass cleaners can be used but with caution, if in doubt contact the manufacturer of the cleaner in question.
- Please keep these instructions for aftercare and customer service details.

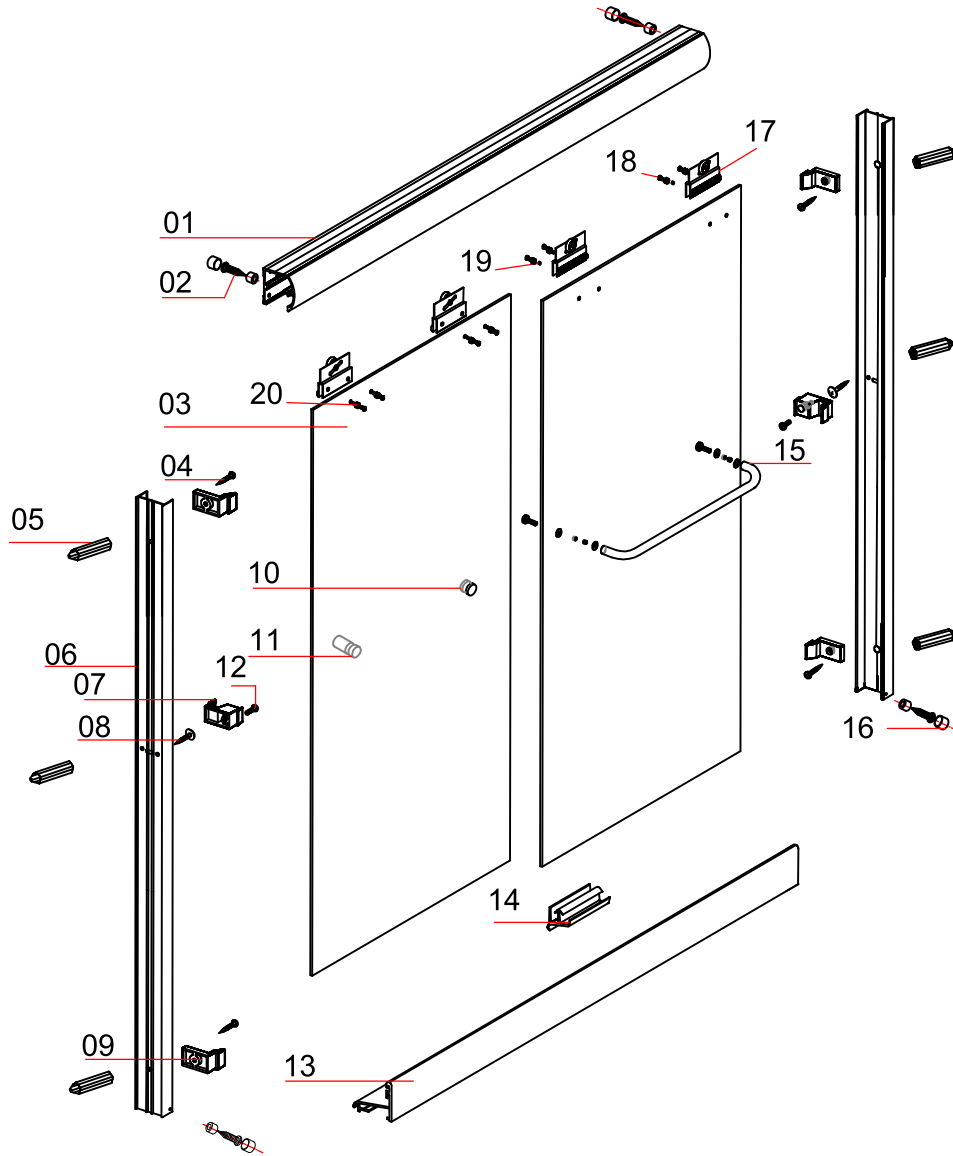
---

## TOOLS REQUIRED

DESCRIPTION	PART IMAGE
Tape measure	
Spirit level	
Pencil	
Ø8mm Drill bit	
20mm Thick board	

DESCRIPTION	PART IMAGE
Drill	
Hammer	
Cross head Screwdriver	
Inner hexagon Spanner	
Silicone Sealant	

# ASSEMBLY INSTRUCTIONS-DRAWING



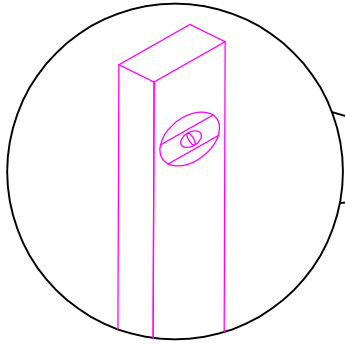
## PART LIST

NO.	Description	QTY	Doagaram
01	Slideway	1	
02	Cross round head machine screw(M4 x 12)	4	
03	Movable glass	2	
04	Metric Screw(3.9x30)	4	
05	Wall anchor	6	
06	Wall profile	2	
07	Wall groove buffer block	2	
08	Metric Screw(3.9x30)	2	
09	Wall groove buffer block	4	
10	Hole decorative covers	1	

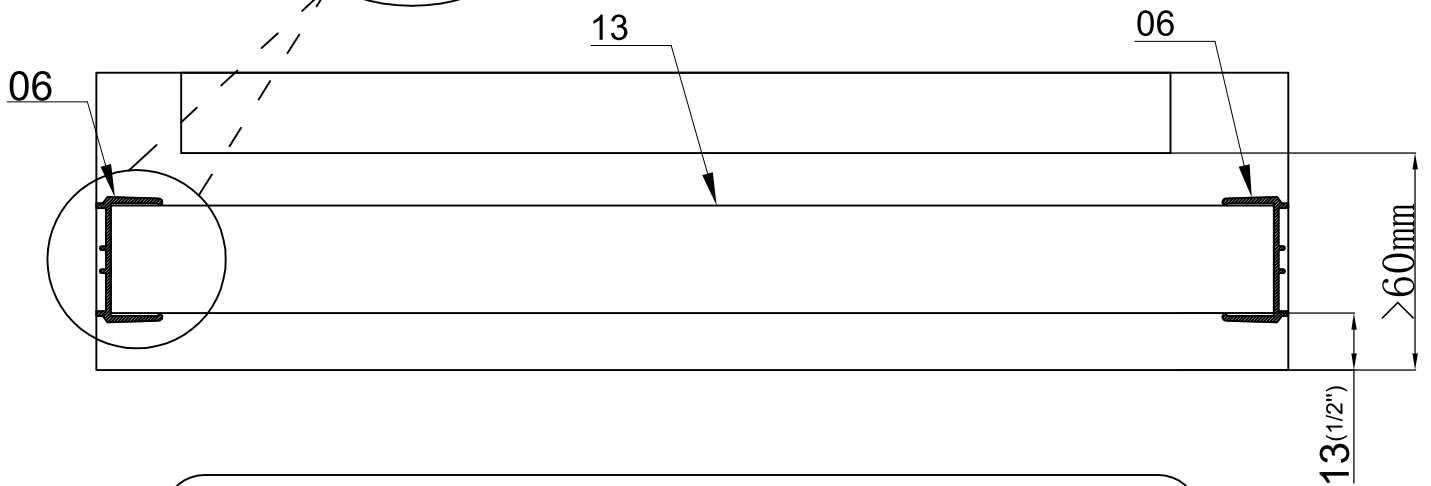
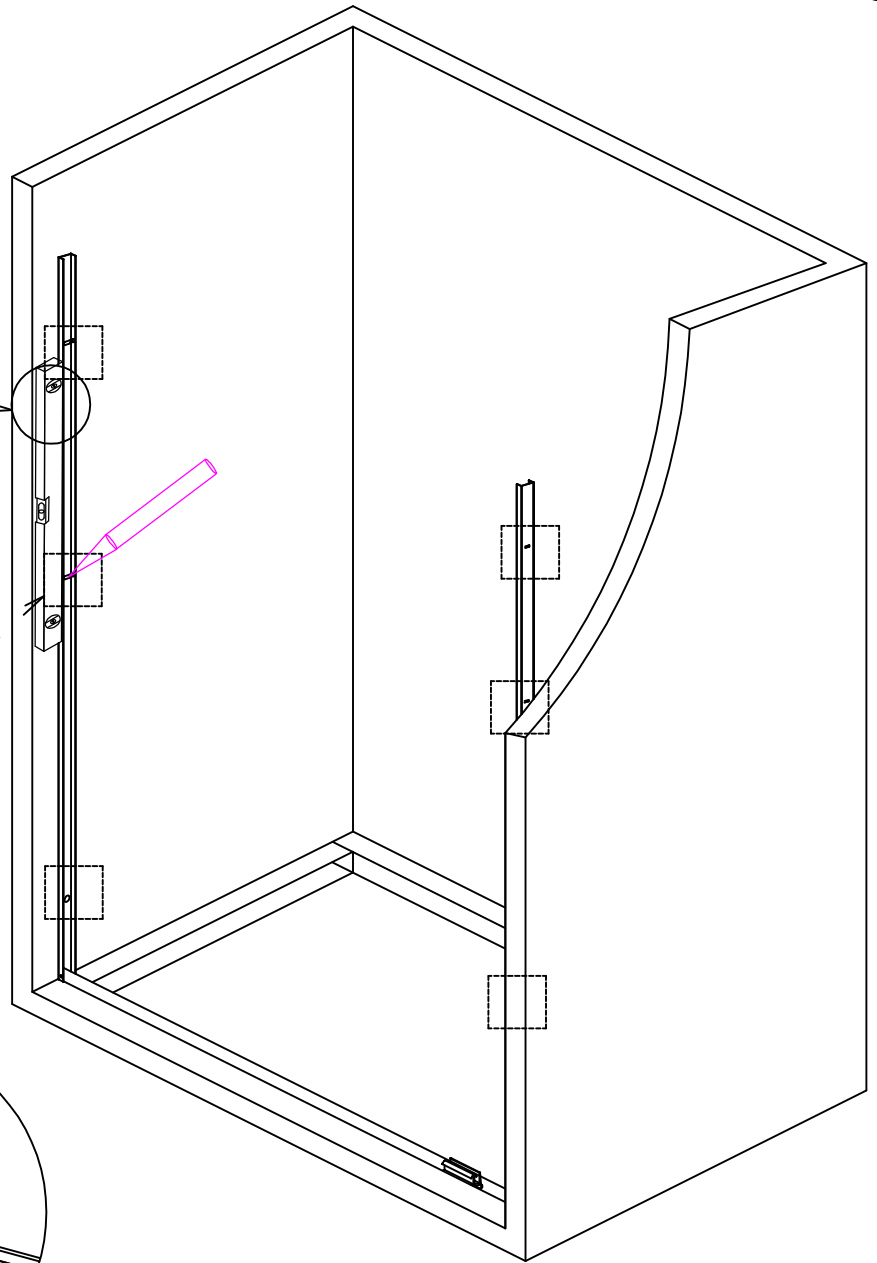
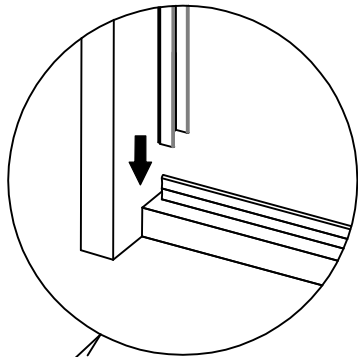
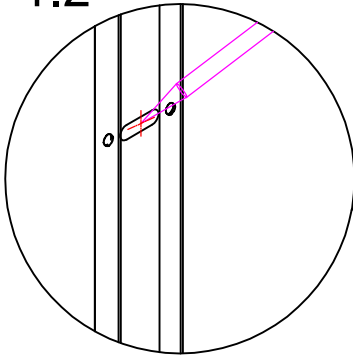
NO.	Description	QTY	Doagaram
11	Hole decorative covers	1	
12	Metric Screw(3.9x12)	2	
13	Slideway	1	
14	Guide block	1	
15	Handle	1	
16	Screw cover cap	4	
17	Pulley	4	
18	Metric Screw(M5x12)	8	
19	Hard rubber sleeve	8	
20	Gasket	8	

# Step 1

1.1



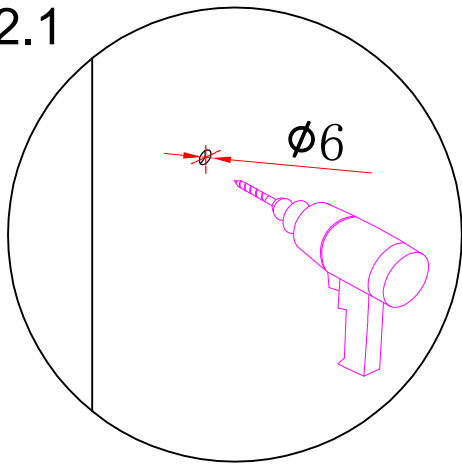
1.2



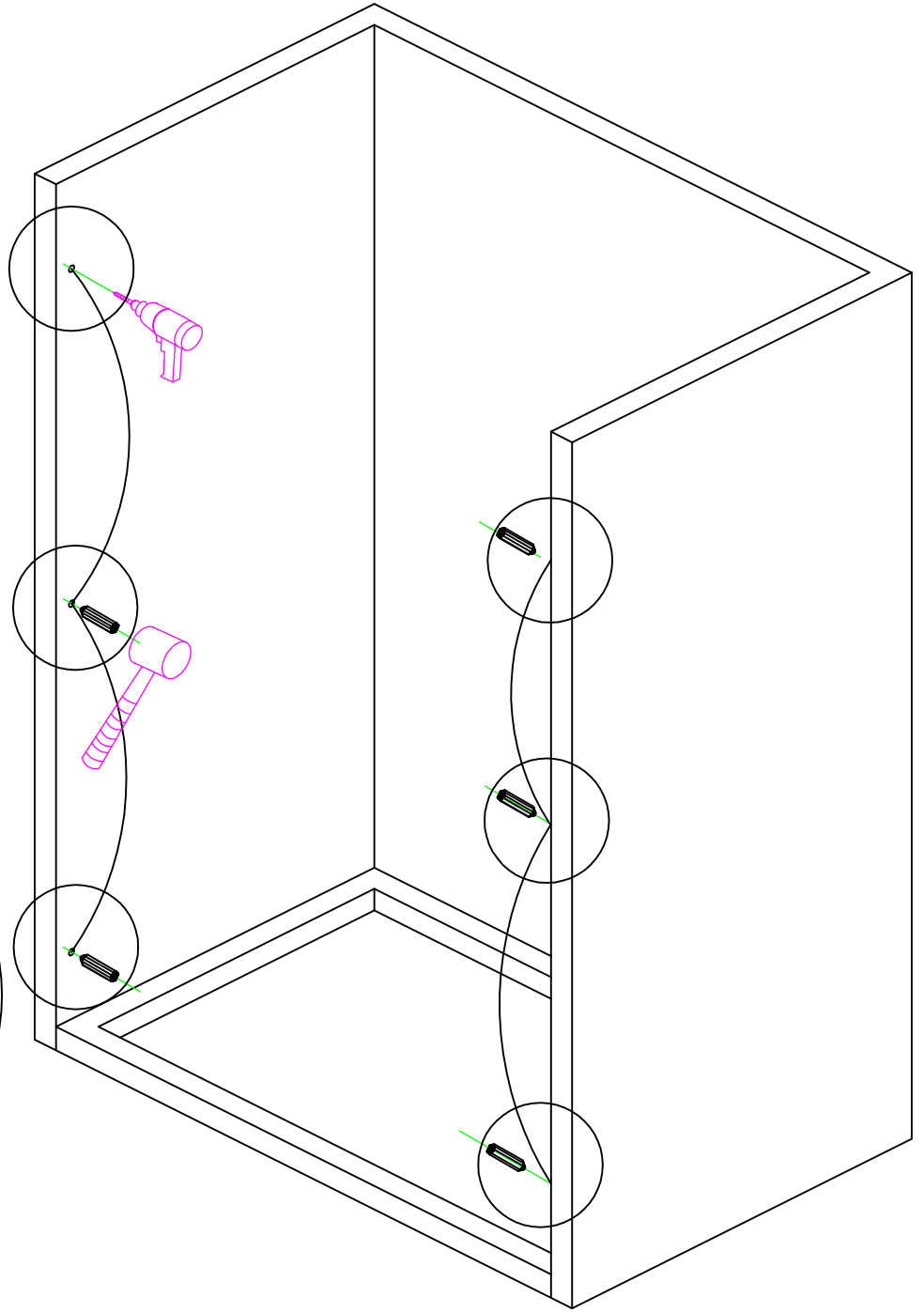
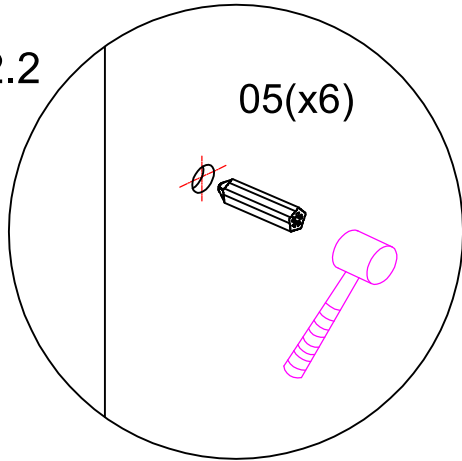
**NOTE:** Put two wall profile (#6) into the shower room, align them with a level ruler, and then mark the holes of the frame with a pen.

## Step 2

2.1



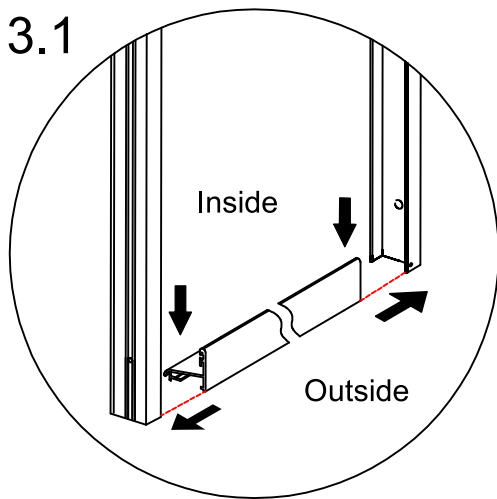
2.2



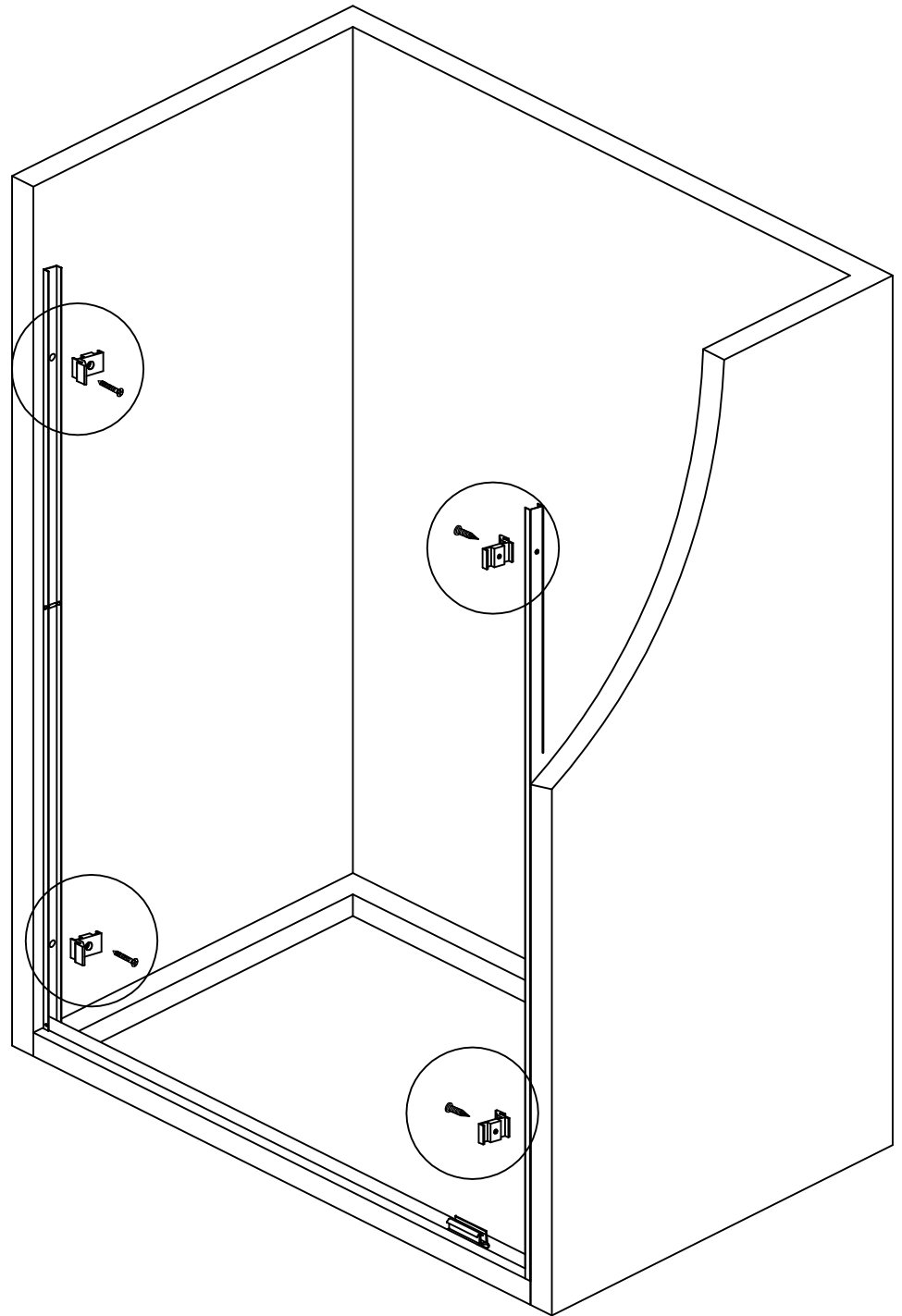
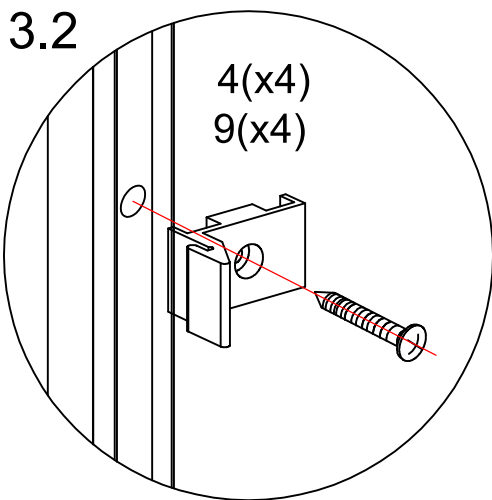
**NOTE:** Use the drill bit of  $\phi 6$  to drill the holes in turn against the marked holes, and then drive the expansion sleeve into each hole (#5).

## Step 3

3.1



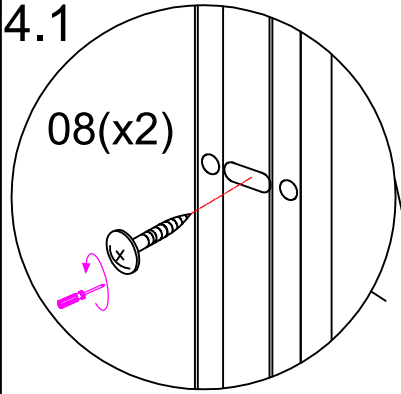
3.2



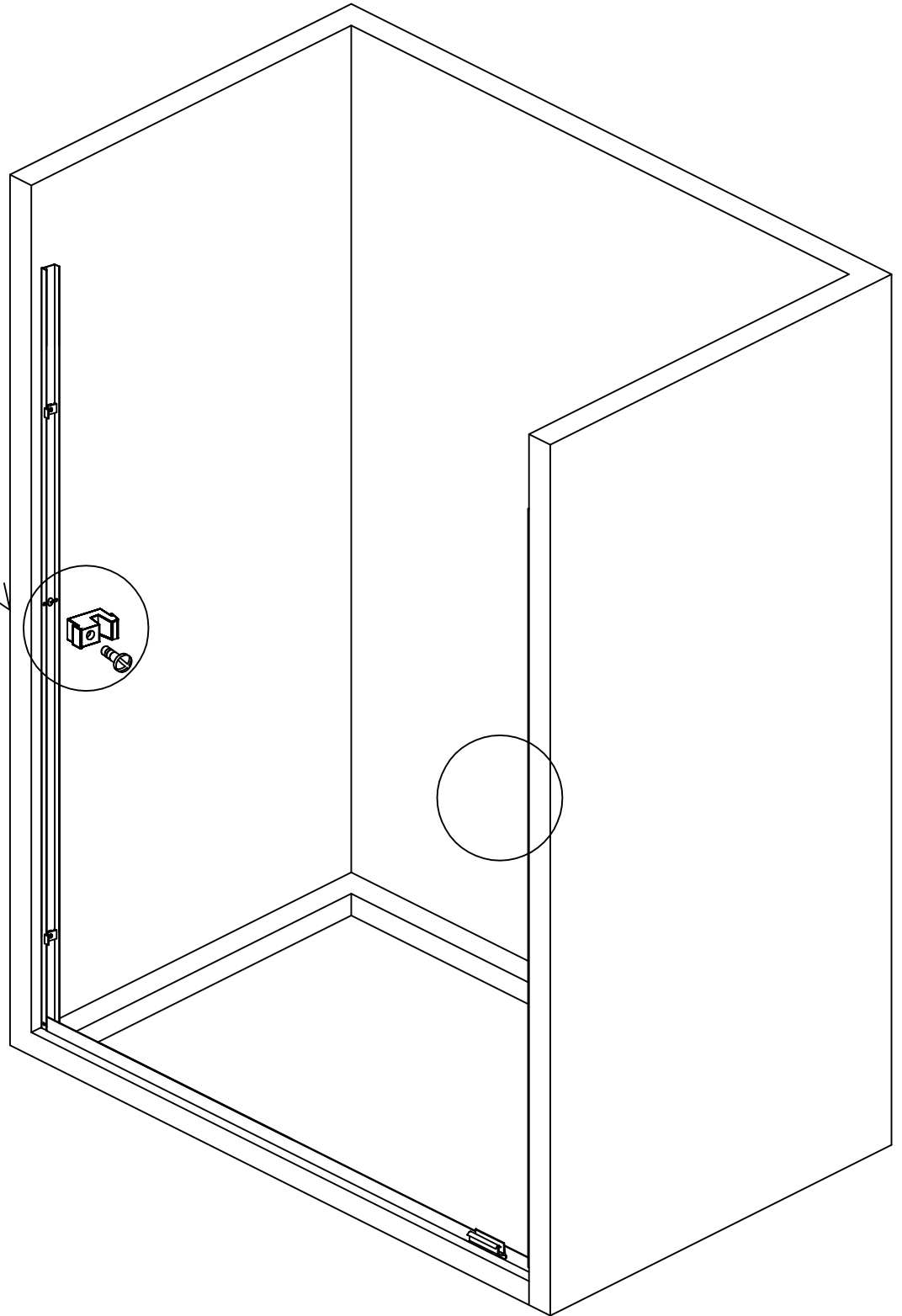
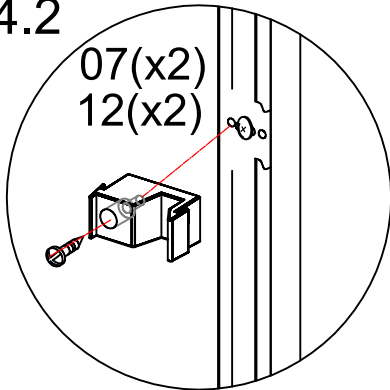
**NOTE:** Put the bottom guide rail (#13) on the installation position, and the wall profile (#6) fits into the bottom guide rail and presses against the wall. Install 4 wall trough buffer blocks (#9) in the upper and lower holes of the wall trough and tighten them with screws (#4).

## Step 4

4.1



4.2

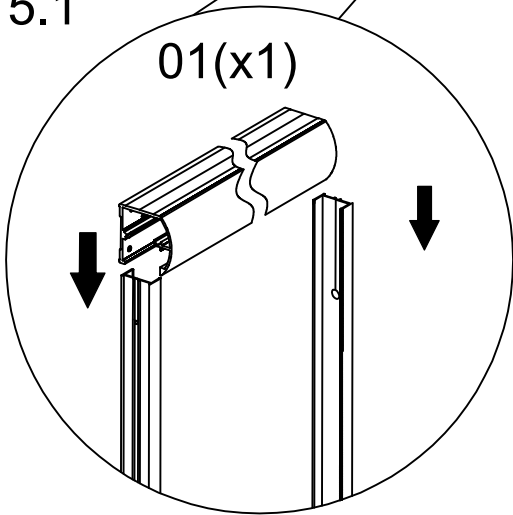


NOTE: Use 2 screws (#8) to drive into the holes in the middle of the wall grooves on both sides to tighten. Then install the wall groove buffer block 2 (#7) and tighten it with screws (#12).

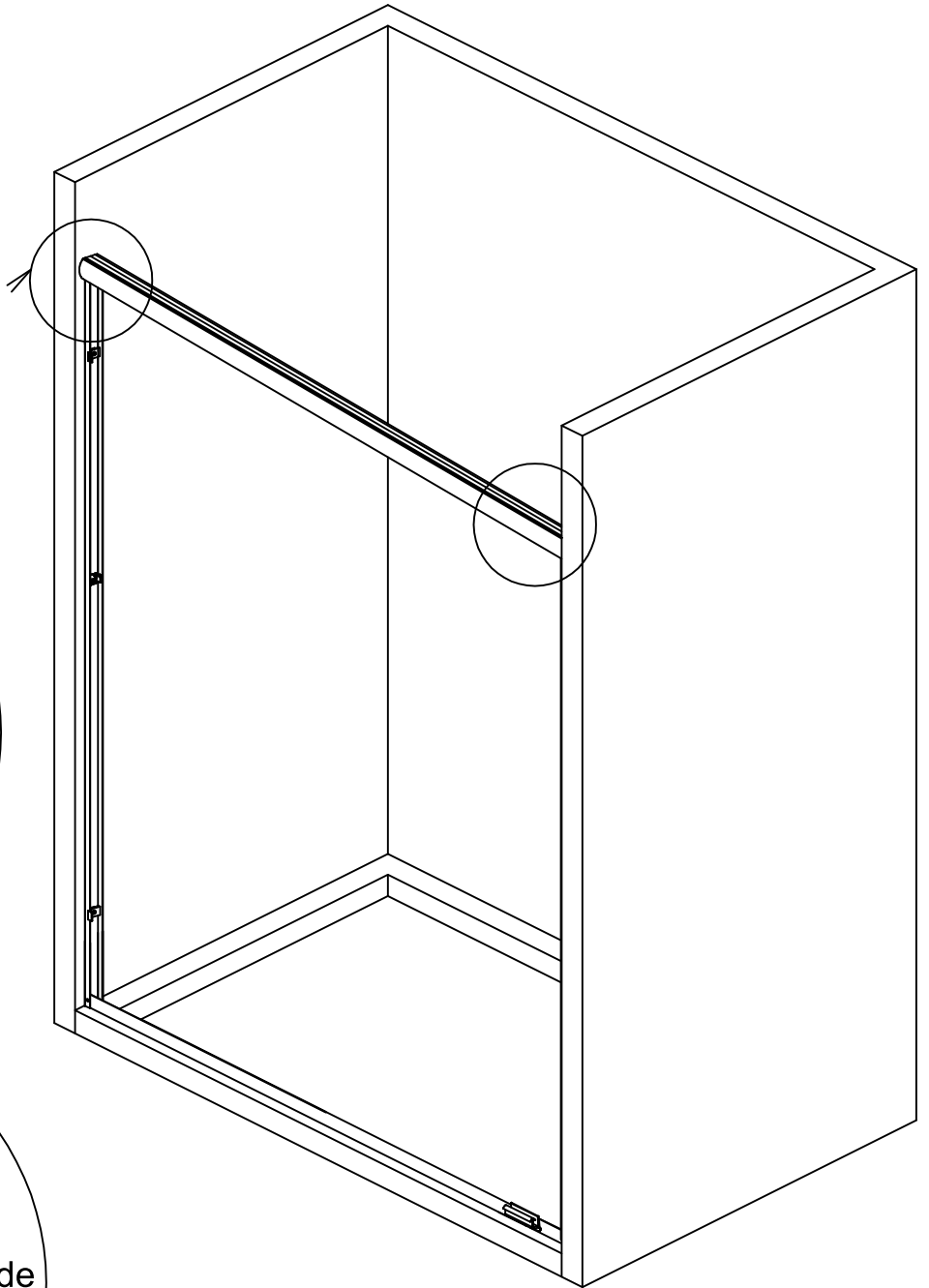
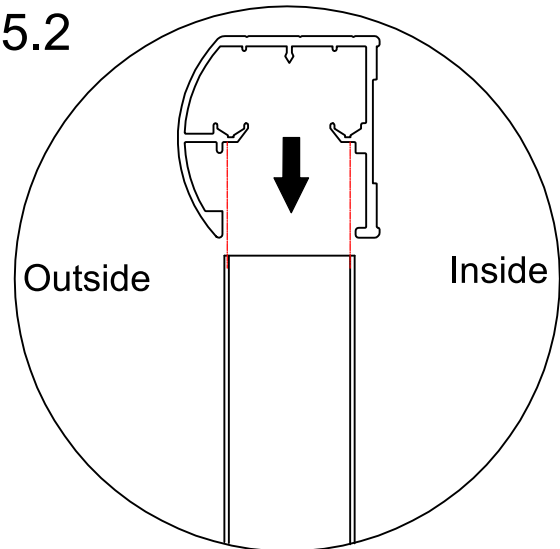
# Step 5

5.1

01(x1)



5.2

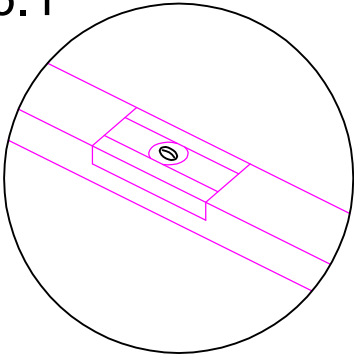


NOTE: Install the top rail (#01) into the wall groove.

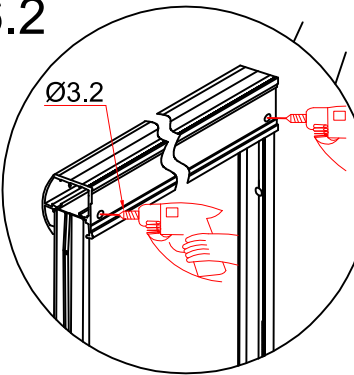


## Step 6

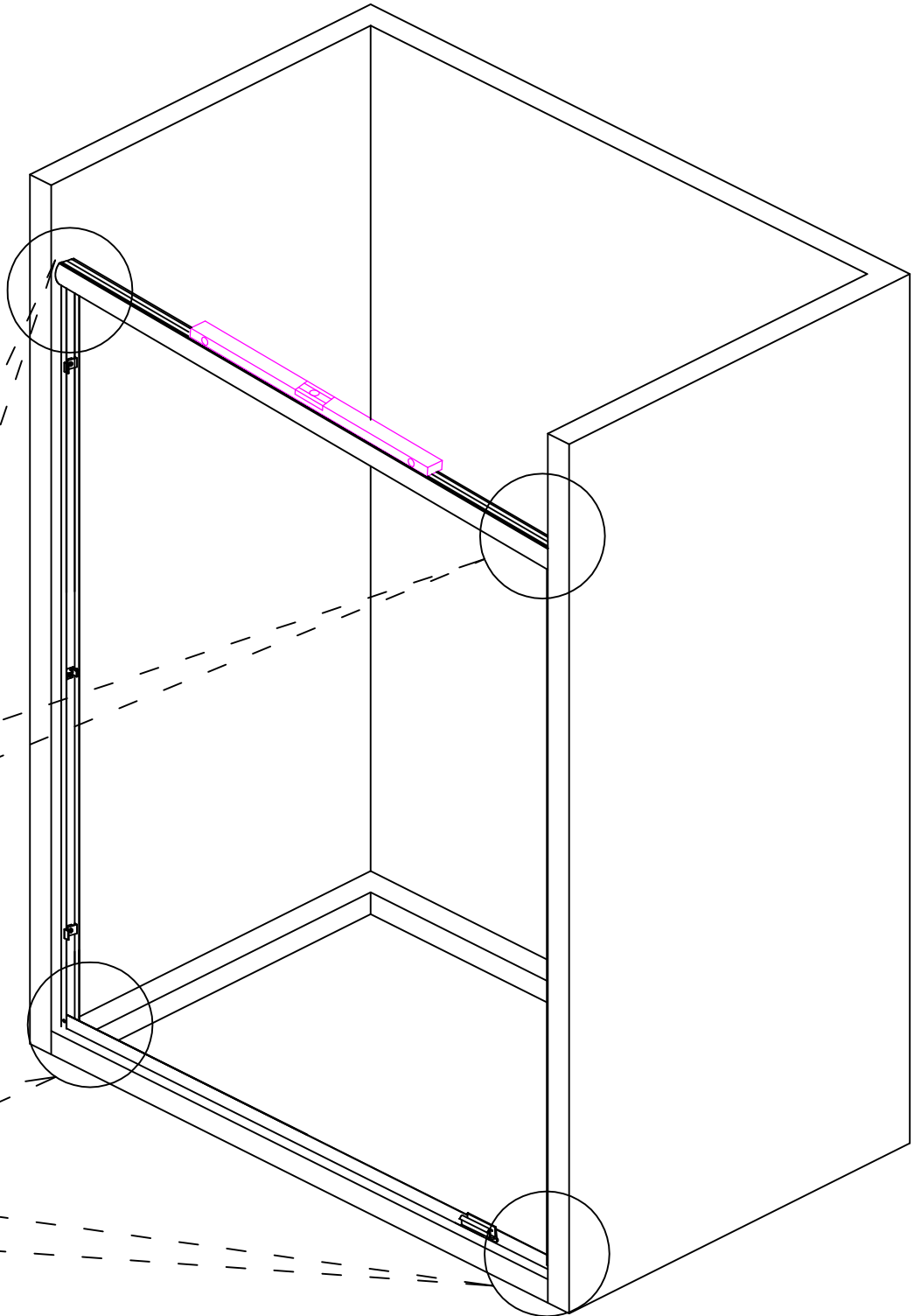
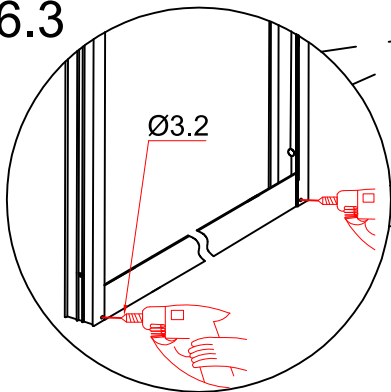
6.1



6.2



6.3

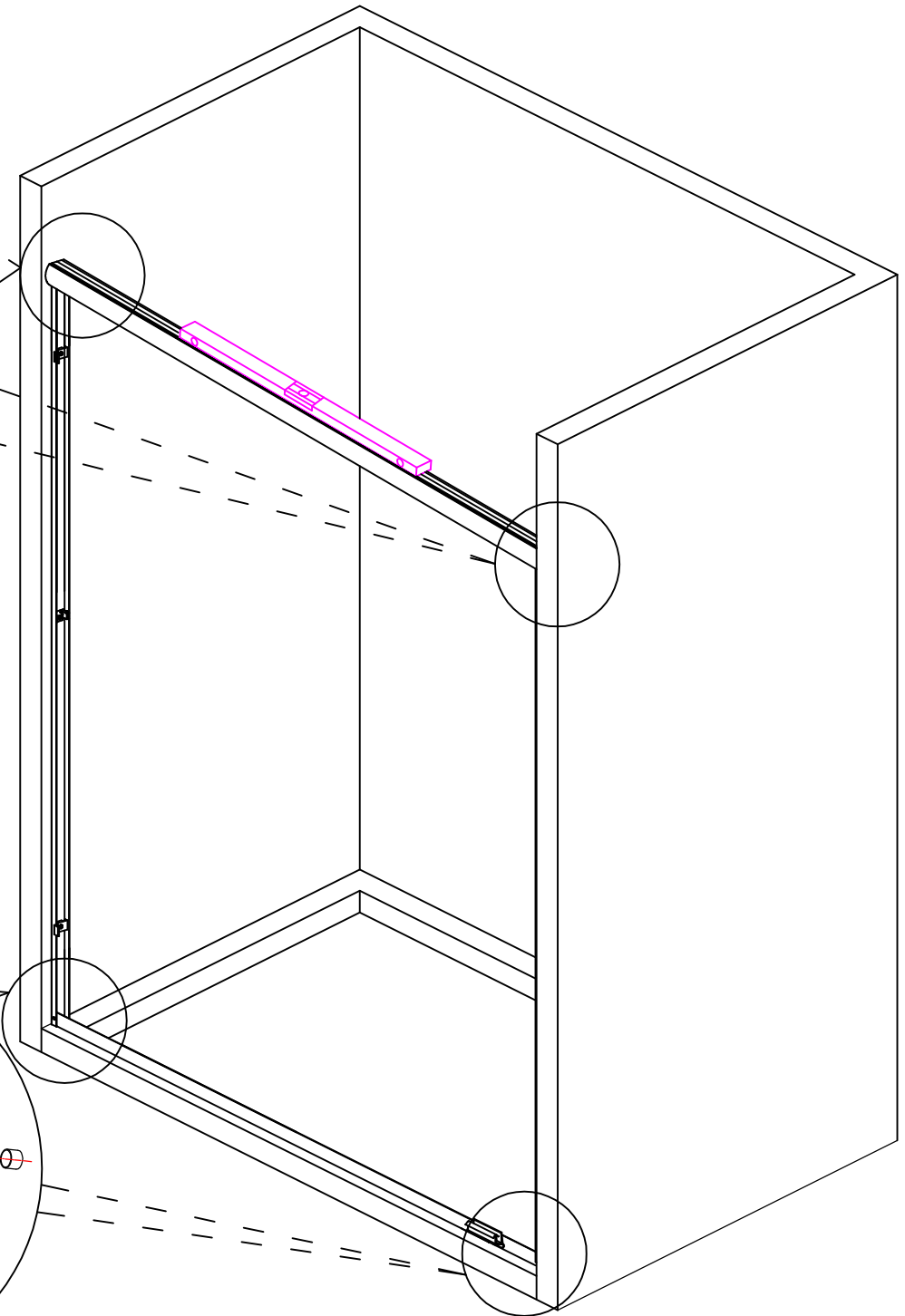
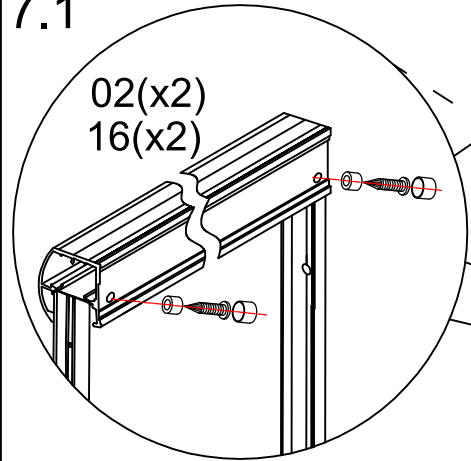


**NOTE:**Place the top guide rail with a spirit level, adjust it to the level, use an electric drill to align the pre-opening hole to drill it through a layer, and also align the bottom aluminum material to the pre-opened hole and drill it through a layer .

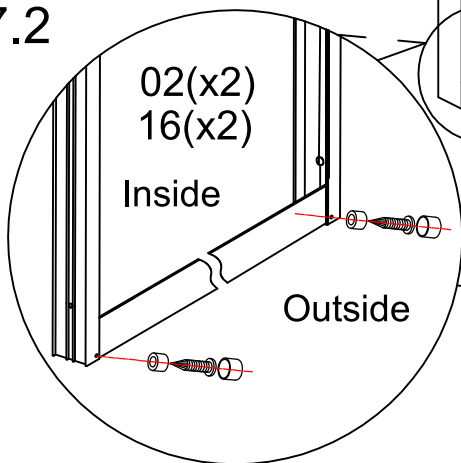
# Step 7

pay attention to installation direction

7.1

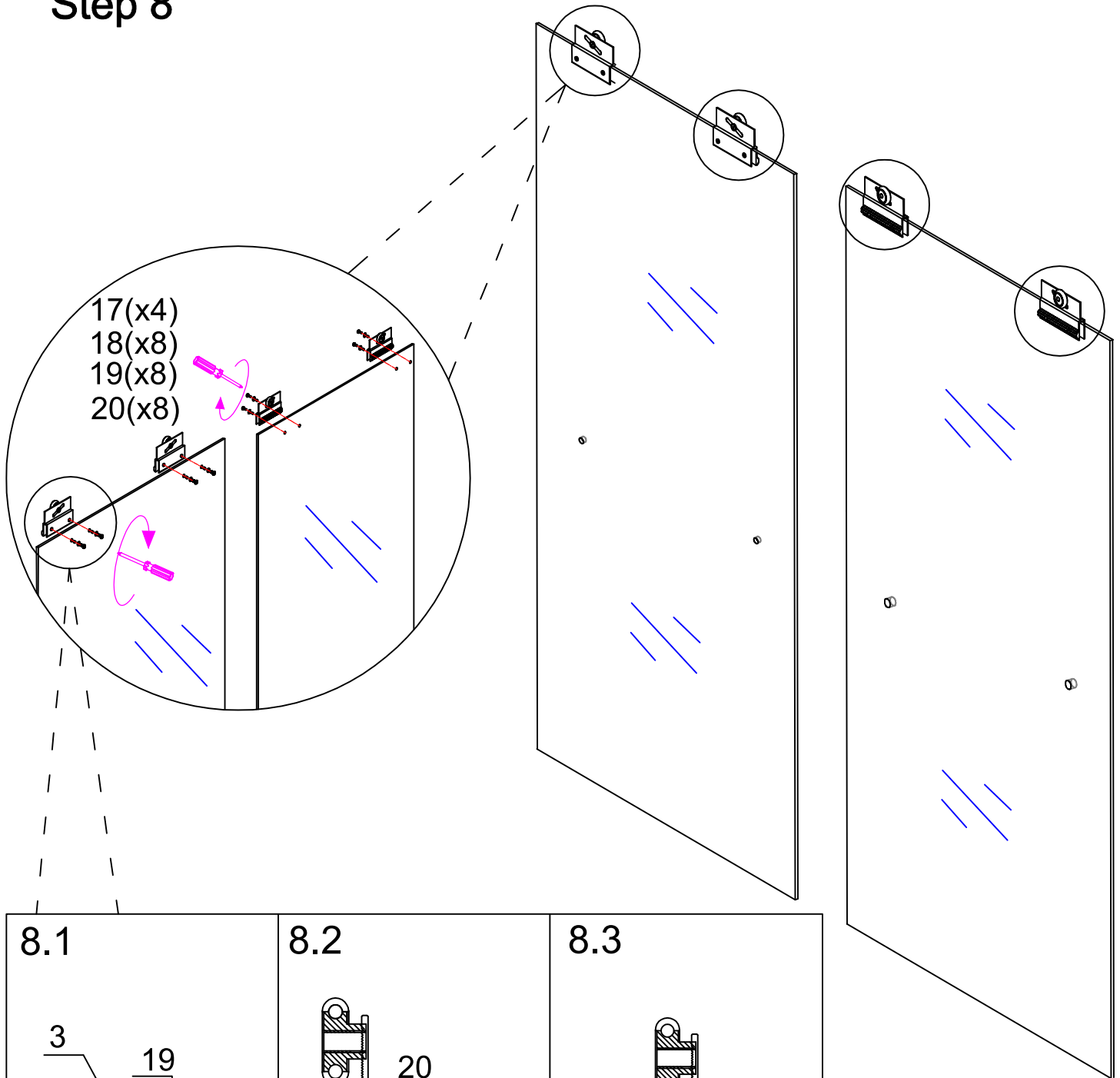


7.2

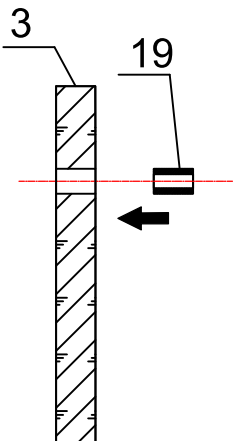


NOTE: Use the screw cap set (#16) and the cross round head machine screw (#2) to install and lock the upper and lower 4 holes.

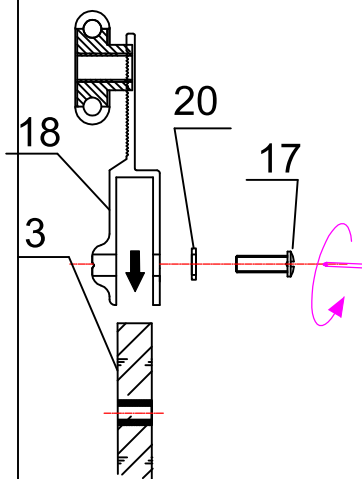
# Step 8



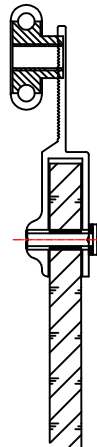
8.1



8.2



8.3

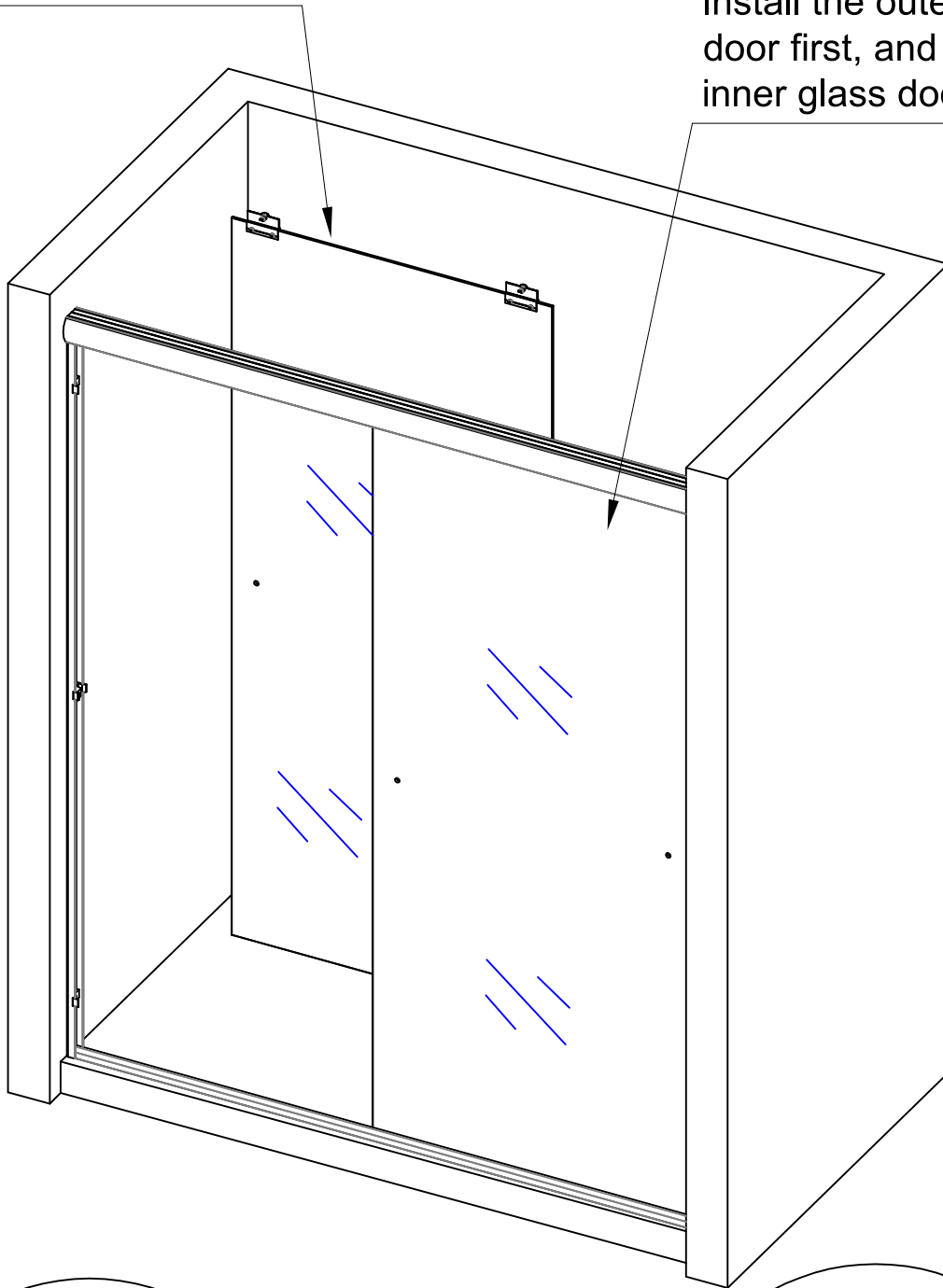


**NOTE:** Put the rubber sleeve (#19) in the glass hole, and then clamp the pulley frame (#17) on the glass, and then use the screw (#18) through the gasket (#20) to install it on the pulley frame, pay attention to the installation of the pulley Direction (as shown in the picture).

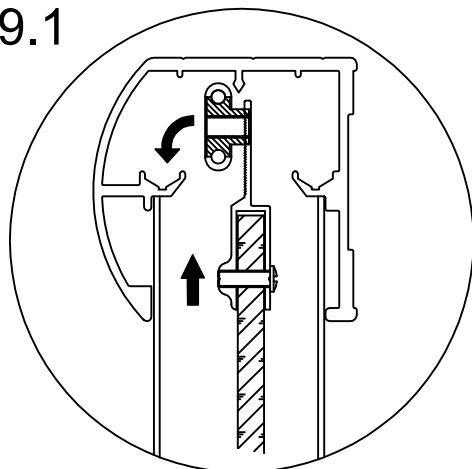
# Step 9

Move the inner glass door into the interior of the room.

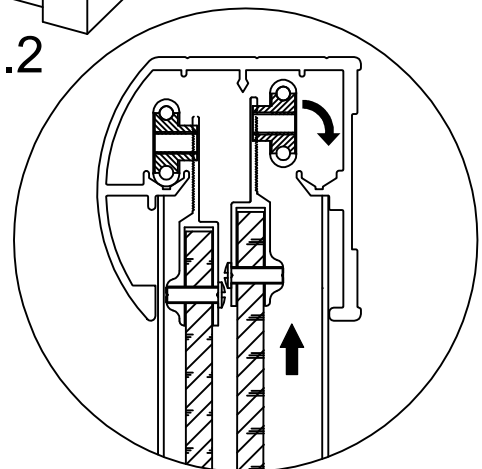
Install the outermost glass door first, and then install the inner glass door.



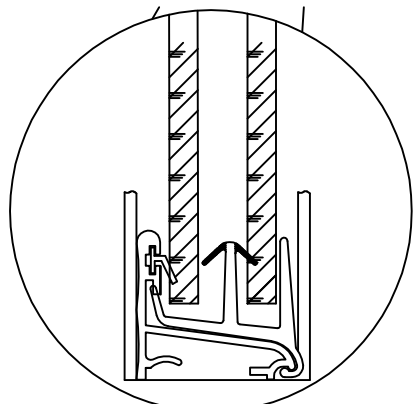
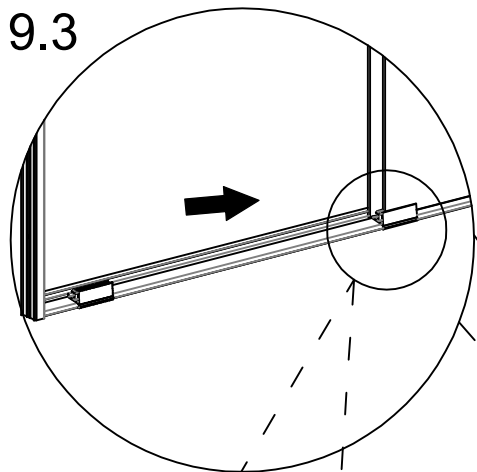
9.1



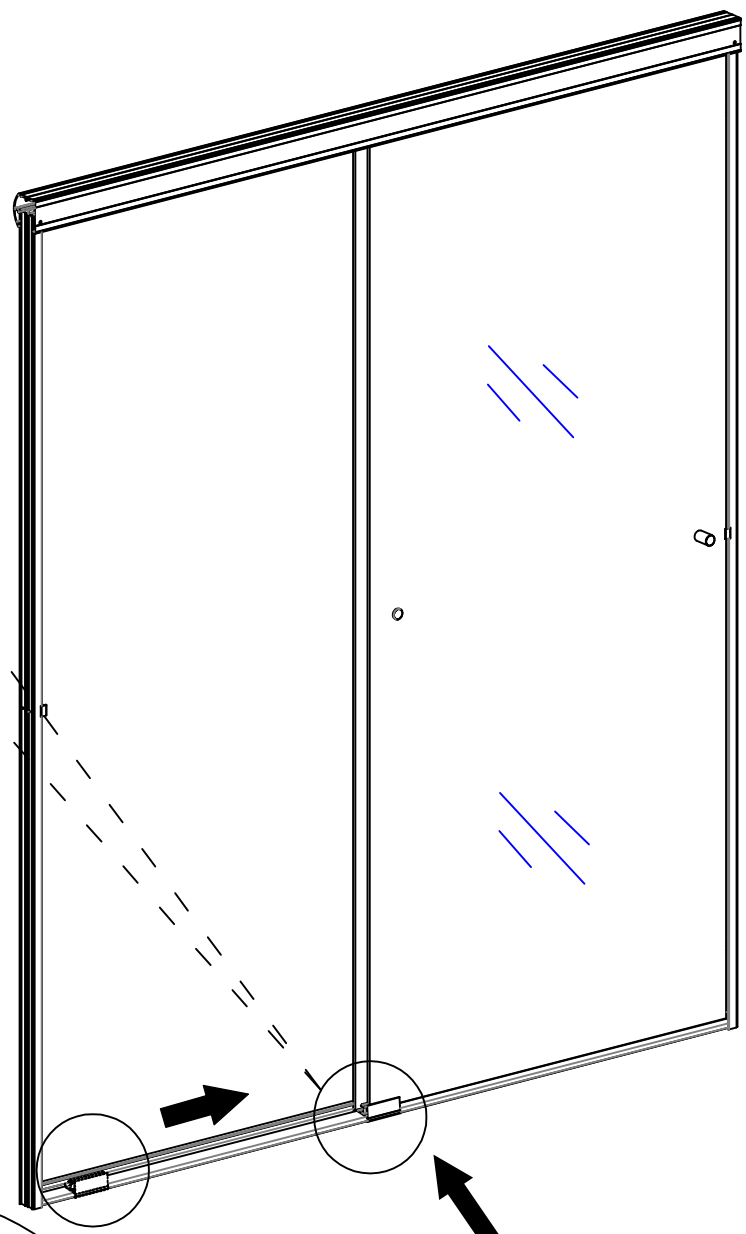
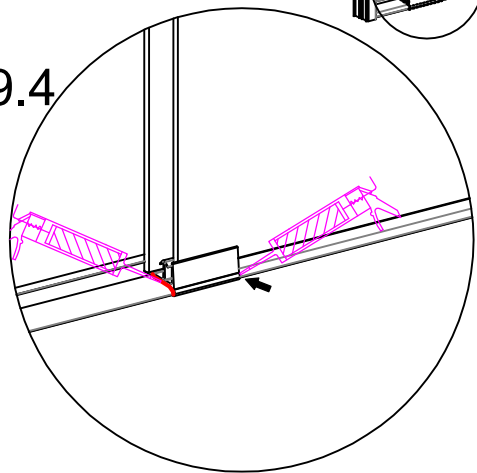
9.2



9.3



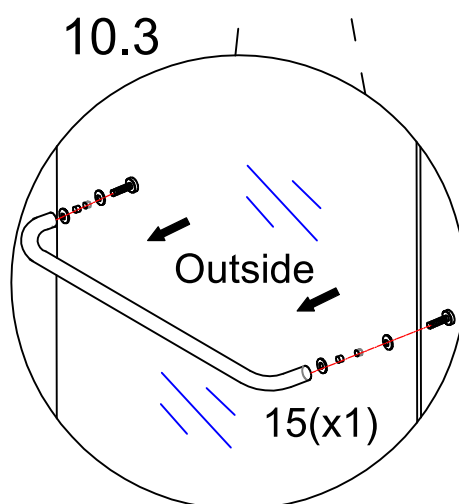
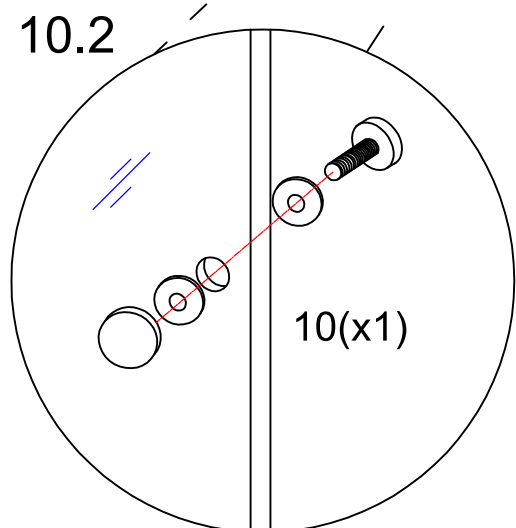
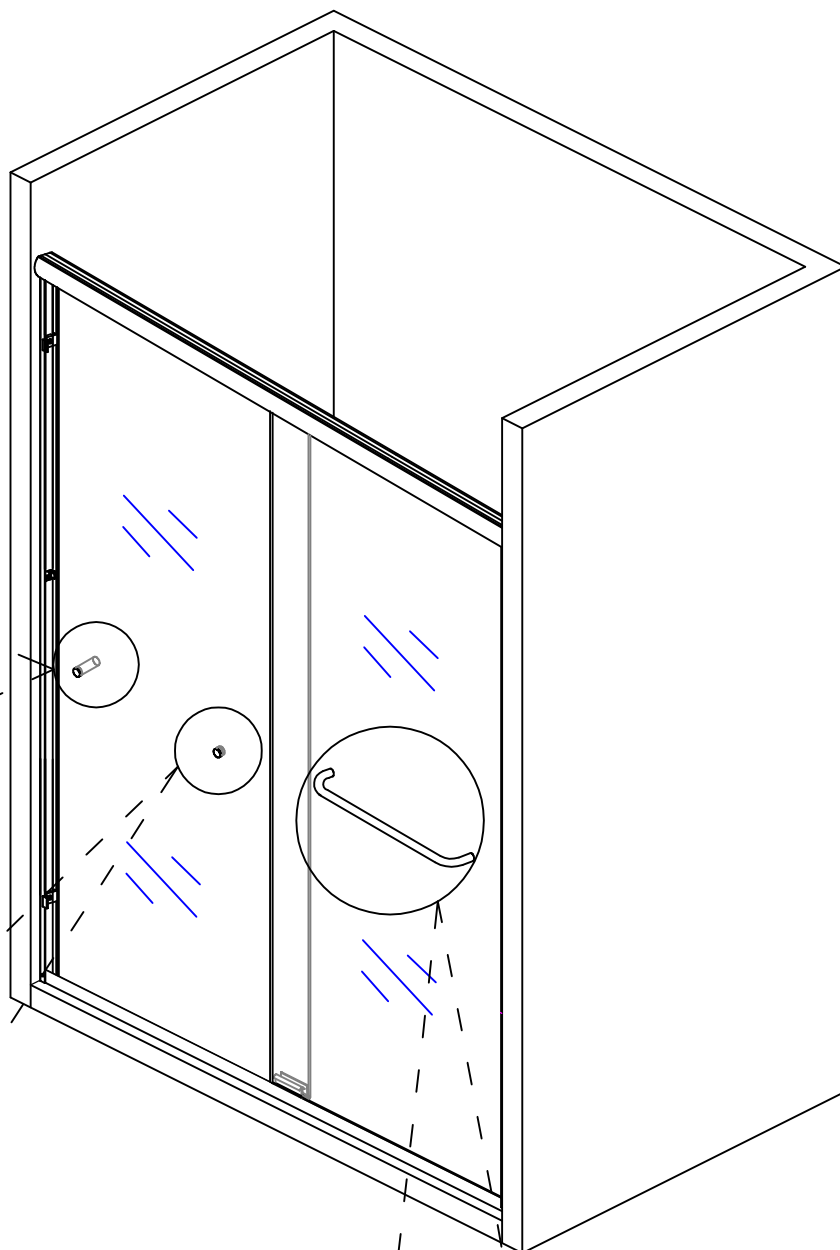
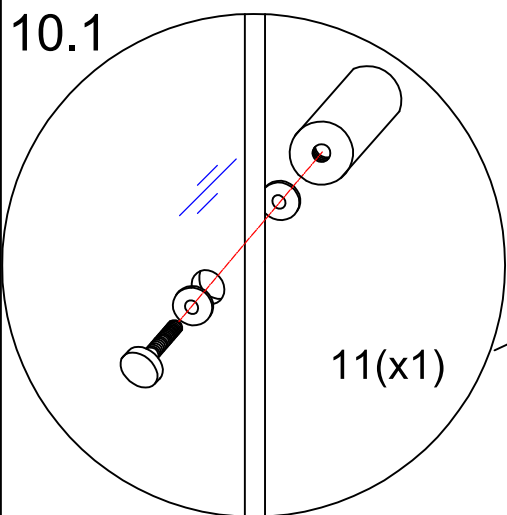
9.4



Put in the middle

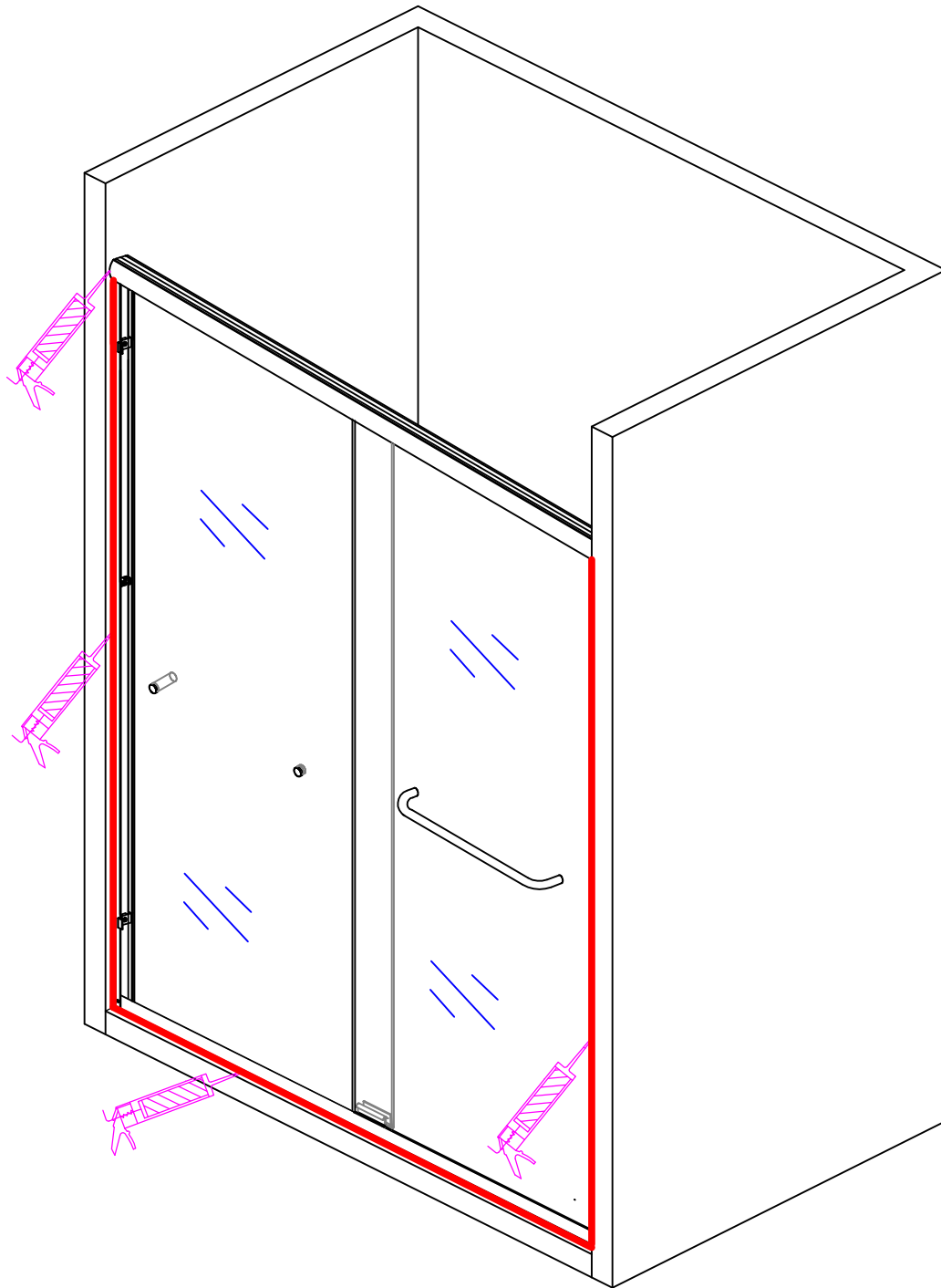
NOTE: Hang the glass door with the pulley installed into the top guide rail, then push the door to one side, slide the guide block on the guide rail to the middle of the guide rail, and respectively snap into the glass door. Put glass glue on both sides of the guide block.

# Step 10

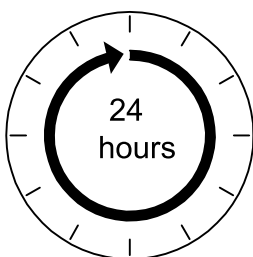


**NOTE:** Attach the handle to the glass door. You can install the handle according to the use situation, which is convenient for hanging towels.

## Step 11



**NOTE:** In the last step, put glass glue on the inside of the connection between the room body, the wall and the ground, and let it stand for 24 hours before using it



Allow 24 hours for silicone to dry before use.  
Silicone on the outside edge only