

UNIVERSAL KIT

CORSA
PERFORMANCE

Part #: CC0015



IMPORTANT! WARRANTY AND INSTALLATION INSTRUCTIONS

Please Forward All Information to Consumer

Be sure to review the enclosed instructions prior to beginning the installation process. If you have any questions about the enclosed parts or instructions, or if you encounter a problem during installation:

CALL TECHNICAL SUPPORT: 440.891.0999 or 800.486.0999

**TO ACTIVATE YOUR WARRANTY GO TO:
CORSAPERFORMANCE.COM/WARRANTY**

COLOR INSTRUCTIONS ARE AVAILABLE BY PART NUMBER ON: CORSAPERFORMANCE.COM



NEVER work on a hot engine bay.
Allow time for the vehicle to cool.

INSTALL DIFFICULTY



RECOMMENDED TOOLS & SUPPLIES

- 15mm Socket Wrench
- 2.5mm Hex Wrench
- 11/16" Wrench
-

UNIVERSAL KIT

CATCH CAN

Part #: CC0015



Please take time to read and understand these installation instructions.

CORSA recommends that the installation of this system be performed by a qualified service center or professional installer who has the necessary equipment, tools, and experienced personnel. However, if you decide to perform this installation yourself, the use of an additional person may be required.

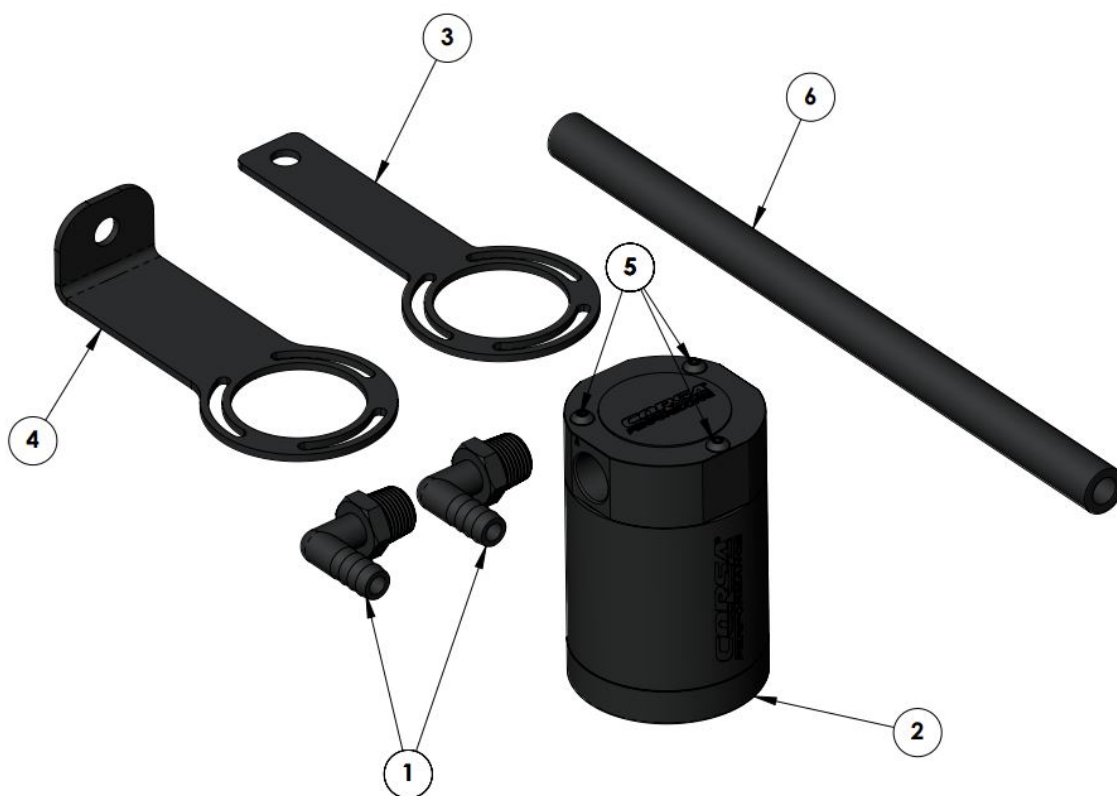
WARNING: Never work on a hot engine bay. Allow time for the vehicle to cool.

This warranty does not extend to damaged or defect in the finish of a product or to any product, that in the opinion of CORSA Performance, has been misused, damaged by accident or negligence, altered or modified in any way, faulty installation or installed contrary to CORSA installation instructions, or repaired by an unauthorized service facility.

Full warranty available on www.corsaperformance.com

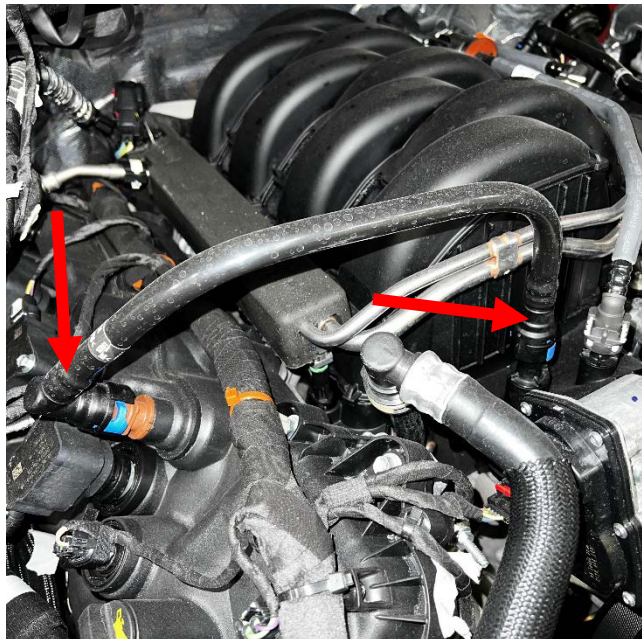
Please confirm that all parts are present according to the bill of materials before beginning the installation.

If something is missing call Tech Support at 440.891.0999 or Toll Free: 1.800.486.0999



HARDWARE KIT

1. 3/8" NPT Barbed Elbow Fitting	1	3. Flat Bracket	1	5. Hex Screws	3
2. Catch Can Body	2	4. Bent Bracket	1	6. 3/8" Hose	48"

REMOVAL INSTRUCTIONS**FACTORY PCV LINE**

1. Locate your vehicle's PCV line and remove it. Find a mounting location for your Corsa Catch Can. Use the provided bracket(s), fittings, and hose to route the catch can to the PCV system. The A end of the catch can is the inlet, the B end of the catch can is the outlet. **IMPORTANT:** Corsa Performance highly recommends applying PTFE tape or thread sealant to the fittings and the bottom drain plug to avoid any leaks.

*Check that this catch can complies with your Federal, State and Local laws.
We recommend saving your stock PCV line.*

BEFORE ROAD TESTING

1. Start engine, leaving the transmission in park and securing the parking brake.
2. Make sure to look and listen for any unusual noises or air leaks. Repair problems if needed.
3. Once completed it will be necessary to check periodically, after a few heat cycles, for realignment and tightening of all connections.

EMPTYING CATCH CAN: Twist off the bottom of the catch can and dispose of collected oil. It is recommended to check and empty the catch can with every oil change.

UNIVERSAL KIT

CORSA
PERFORMANCE

Part #: CC0016



IMPORTANT! WARRANTY AND INSTALLATION INSTRUCTIONS

Please Forward All Information to Consumer

Be sure to review the enclosed instructions prior to beginning the installation process. If you have any questions about the enclosed parts or instructions, or if you encounter a problem during installation:

CALL TECHNICAL SUPPORT: 440.891.0999 or 800.486.0999

**TO ACTIVATE YOUR WARRANTY GO TO:
CORSAPERFORMANCE.COM/WARRANTY**

COLOR INSTRUCTIONS ARE AVAILABLE BY PART NUMBER ON: CORSAPERFORMANCE.COM



NEVER work on a hot engine bay.
Allow time for the vehicle to cool.

INSTALL DIFFICULTY



RECOMMENDED TOOLS & SUPPLIES

- 15mm Socket Wrench
- 2.5mm Hex Wrench
- 11/16" Wrench
-

UNIVERSAL KIT

CATCH CAN

Part #: CC0016



Please take time to read and understand these installation instructions.

CORSA recommends that the installation of this system be performed by a qualified service center or professional installer who has the necessary equipment, tools, and experienced personnel. However, if you decide to perform this installation yourself, the use of an additional person may be required.

WARNING: Never work on a hot engine bay. Allow time for the vehicle to cool.

This warranty does not extend to damaged or defect in the finish of a product or to any product, that in the opinion of CORSA Performance, has been misused, damaged by accident or negligence, altered or modified in any way, faulty installation or installed contrary to CORSA installation instructions, or repaired by an unauthorized service facility.

Full warranty available on www.corsaperformance.com

Please confirm that all parts are present according to the bill of materials before beginning the installation.

If something is missing call Tech Support at 440.891.0999 or Toll Free: 1.800.486.0999

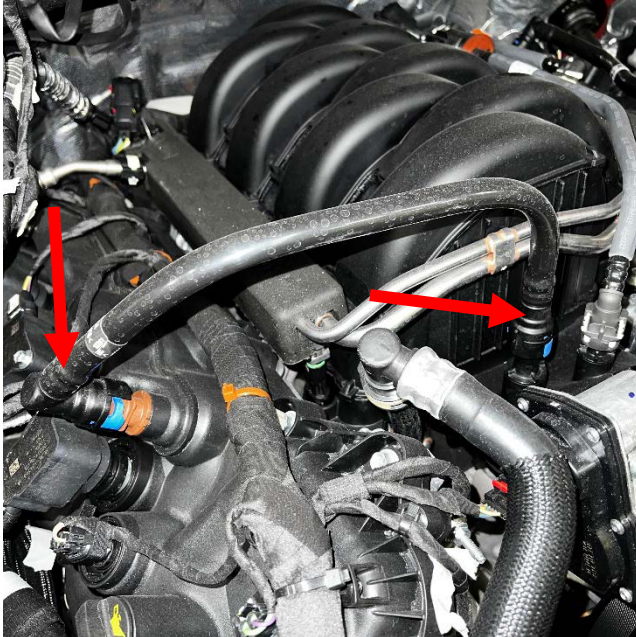


HARDWARE KIT

1. 1/2" NPT Barbed Elbow Fitting	1	3. Flat Bracket	1	5. Hex Screws	3
2. Catch Can Body	2	4. Bent Bracket	1	6. 1/2" Hose	48"

REMOVAL INSTRUCTIONS

FACTORY PCV LINE



1. Locate your vehicle's PCV line and remove it. Find a mounting location for your Corsca Catch Can. Use the provided bracket(s), fittings, and hose to route the catch can to the PCV system. The A end of the catch can is the inlet, the B end of the catch can is the outlet. **IMPORTANT:** Corsca Performance highly recommends applying PTFE tape or thread sealant to the fittings and the bottom drain plug to avoid any leaks.

*Check that this catch can complies with your Federal, State and Local laws.
We recommend saving your stock PCV line.*

BEFORE ROAD TESTING

1. Start engine, leaving the transmission in park and securing the parking brake.
2. Make sure to look and listen for any unusual noises or air leaks. Repair problems if needed.
3. Once completed it will be necessary to check periodically, after a few heat cycles, for realignment and tightening of all connections.

EMPTYING CATCH CAN: Twist off the bottom of the catch can and dispose of collected oil. It is recommended to check and empty the catch can with every oil change.

UNIVERSAL KIT

CORSA
PERFORMANCE

Part #: CC0017



IMPORTANT! WARRANTY AND INSTALLATION INSTRUCTIONS

Please Forward All Information to Consumer

Be sure to review the enclosed instructions prior to beginning the installation process. If you have any questions about the enclosed parts or instructions, or if you encounter a problem during installation:

CALL TECHNICAL SUPPORT: 440.891.0999 or 800.486.0999

**TO ACTIVATE YOUR WARRANTY GO TO:
CORSAPERFORMANCE.COM/WARRANTY**

COLOR INSTRUCTIONS ARE AVAILABLE BY PART NUMBER ON: CORSAPERFORMANCE.COM



NEVER work on a hot engine bay.
Allow time for the vehicle to cool.

INSTALL DIFFICULTY 

RECOMMENDED TOOLS & SUPPLIES

- 15mm Socket Wrench
- 2.5mm Hex Wrench
- 11/16" Wrench
-

UNIVERSAL KIT

CATCH CAN

Part #: CC0017



Please take time to read and understand these installation instructions.

CORSA recommends that the installation of this system be performed by a qualified service center or professional installer who has the necessary equipment, tools, and experienced personnel. However, if you decide to perform this installation yourself, the use of an additional person may be required.

WARNING: Never work on a hot engine bay. Allow time for the vehicle to cool.

This warranty does not extend to damaged or defect in the finish of a product or to any product, that in the opinion of CORSA Performance, has been misused, damaged by accident or negligence, altered or modified in any way, faulty installation or installed contrary to CORSA installation instructions, or repaired by an unauthorized service facility.

Full warranty available on www.corsaperformance.com

Please confirm that all parts are present according to the bill of materials before beginning the installation.

If something is missing call Tech Support at 440.891.0999 or Toll Free: 1.800.486.0999



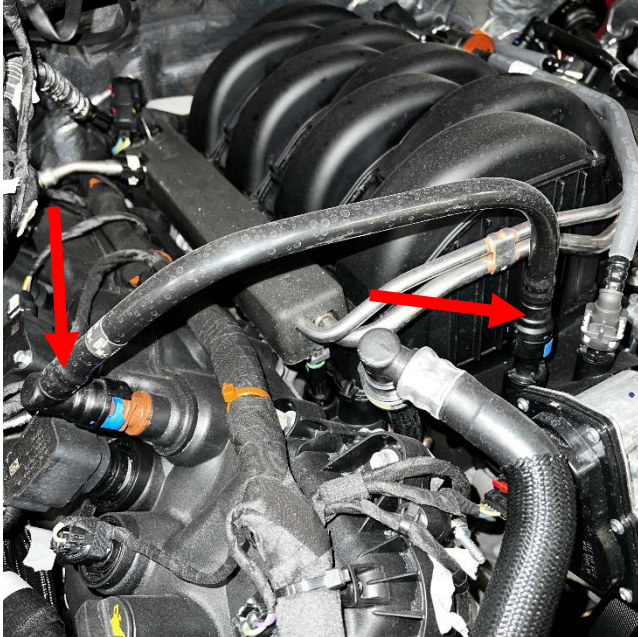
a

HARDWARE KIT

1. 5/8" NPT Barbed Elbow Fitting	1	3. Flat Bracket	1	5. Hex Screws	3
2. Catch Can Body	2	4. Bent Bracket	1	6. 5/8" Hose	48"

REMOVAL INSTRUCTIONS

FACTORY PCV LINE



1. Locate your vehicle's PCV line and remove it. Find a mounting location for your Corsca Catch Can. Use the provided bracket(s), fittings, and hose to route the catch can to the PCV system. The A end of the catch can is the inlet, the B end of the catch can is the outlet. **IMPORTANT:** Corsca Performance highly recommends applying PTFE tape or thread sealant to the fittings and the bottom drain plug to avoid any leaks.

*Check that this catch can complies with your Federal, State and Local laws.
We recommend saving your stock PCV line.*

BEFORE ROAD TESTING

1. Start engine, leaving the transmission in park and securing the parking brake.
2. Make sure to look and listen for any unusual noises or air leaks. Repair problems if needed.
3. Once completed it will be necessary to check periodically, after a few heat cycles, for realignment and tightening of all connections.

EMPTYING CATCH CAN: Twist off the bottom of the catch can and dispose of collected oil. It is recommended to check and empty the catch can with every oil change.