

2011+ Ford F-150 3.5L EcoBoost/Raptor

CORSA
PERFORMANCE

Part #: CC0010



IMPORTANT! WARRANTY AND INSTALLATION INSTRUCTIONS

Please Forward All Information to Consumer

Be sure to review the enclosed instructions prior to beginning the installation process. If you have any questions about the enclosed parts or instructions, or if you encounter a problem during installation:

CALL TECHNICAL SUPPORT: 440.891.0999 or 800.486.0999

**TO ACTIVATE YOUR WARRANTY GO TO:
CORSAPERFORMANCE.COM/WARRANTY**

COLOR INSTRUCTIONS ARE AVAILABLE BY PART NUMBER ON: CORSAPERFORMANCE.COM



NEVER work on a hot engine bay.
Allow time for the vehicle to cool.

INSTALL DIFFICULTY



RECOMMENDED TOOLS & SUPPLIES

- 10mm Socket Wrench
- 2.5mm Hex Wrench
- 11/16" Wrench
-

Please take time to read and understand these installation instructions.

CORSA recommends that the installation of this system be performed by a qualified service center or professional installer who has the necessary equipment, tools, and experienced personnel. However, if you decide to perform this installation yourself, the use of an additional person may be required.

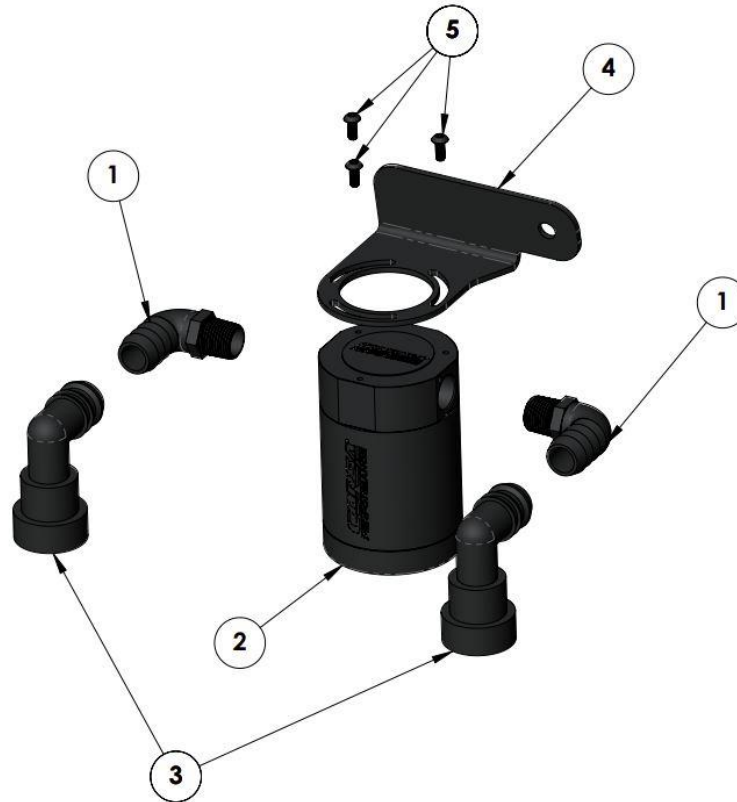
WARNING: Never work on a hot engine bay. Allow time for the vehicle to cool.

This warranty does not extend to damaged or defect in the finish of a product or to any product, that in the opinion of CORSA Performance, has been misused, damaged by accident or negligence, altered or modified in any way, faulty installation or installed contrary to CORSA installation instructions, or repaired by an unauthorized service facility.

Full warranty available on www.corsaperformance.com

Please confirm that all parts are present according to the bill of materials before beginning the installation.

If something is missing call Tech Support at 440.891.099 or Toll Free: 1.800.486.0999



HARDWARE KIT

1. 5/8" NPT Barbed Elbow Fitting	2	3. 5/8" Quick Disconnect Fittings	2	5. 4mm Hex Screws	3
2. Catch Can Body	1	4. Bracket	1	NOT PICTURED:	
				6. 5/8" Hose A	40"
				7. 5/8" Hose B	40"

REMOVAL INSTRUCTIONS

FACTORY PCV LINE



1. Remove the 2 nuts from the bolt that hold down engine cover using a 10mm socket wrench. Pull engine cover out towards the front of the vehicle.



2. Remove stock PCV line which is located on the passenger side of the engine.

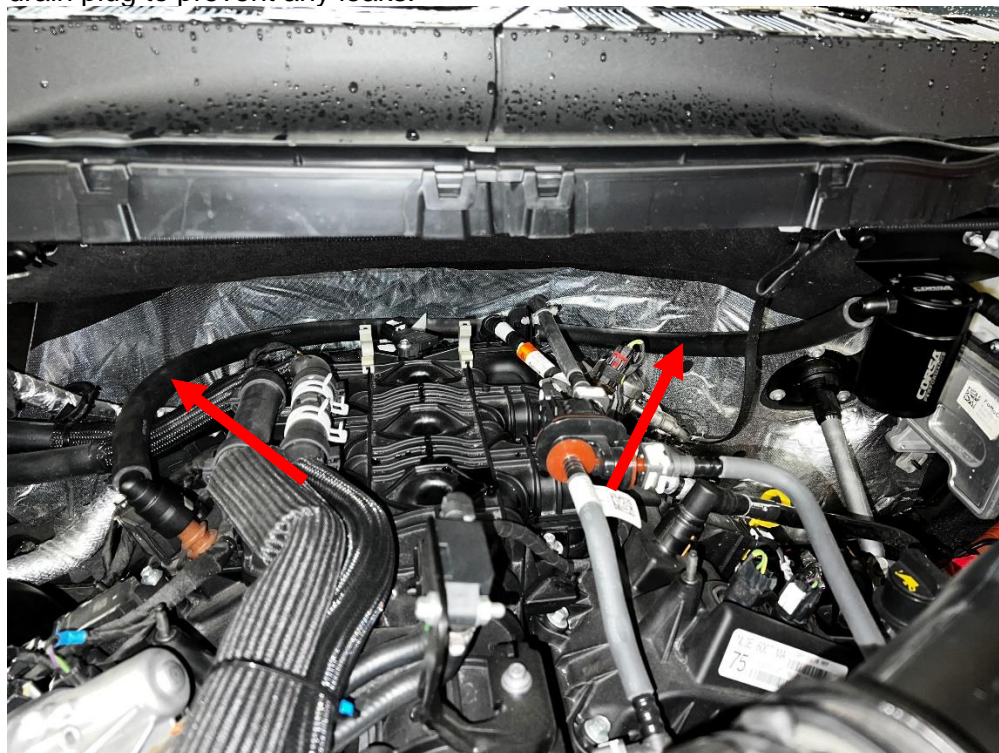
This concludes removal instructions.

INSTALLATION INSTRUCTIONS

CORSA CATCH CAN SYSTEM



1. Install barbed fittings and bracket to the catch can using an 11/16" wrench and 2.5mm Hex wrench. **IMPORTANT:** Corsa recommends using thread sealant or PTFE tape on barbed fittings and bottom drain plug to prevent any leaks.
2. Locate the bolt and nut on the driver's side firewall that holds the coolant reservoir. Remove the nut using a 10mm socket and install catch can and secure it by reinstalling the nut.



3. Install quick disconnect fittings to one end of each hose. Attach hose A to the A end of the catch can and route the hose along the firewall to connect it to the BROWN fitting on the engine.



4. Connect Hose B to the "B" side of the catch can and route the line in front of the engine and underneath the intake duct to connect it to the BLACK fitting on the engine. Make sure fittings are fully secured and the hose is pushed all the way over the ends of the fittings. Reinstall engine cover.
5. **NOTE: Hose length may be cut to desired length and your preferred routing depending on model year and options of your F-150.**

This concludes installation instructions.

*Check that this catch can complies with your Federal, State and Local laws.
We recommend saving your stock PCV line.*

BEFORE ROAD TESTING

1. Start engine, leaving the transmission in park and securing the parking brake.
2. Make sure to look and listen for any unusual noises or air leaks. Repair problems if needed.
3. Once completed it will be necessary to check periodically, after a few heat cycles, for realignment and tightening of all connections.

EMPTYING CATCH CAN: Twist off the bottom of the catch can and dispose of collected oil. It is recommended to check and empty the catch can with every oil change.