



CORSA[®]
PERFORMANCE

2023+ Chevrolet
Corvette C8 Z06 5.5L



IMPORTANT! WARRANTY AND INSTALLATION INSTRUCTIONS

Please Forward All Information to Consumer

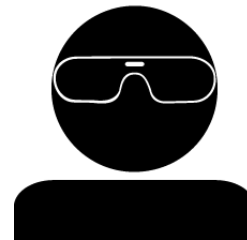
Be sure to review the enclosed instructions prior to beginning the installation process. If you have any questions about the enclosed parts or instructions, or if you encounter a problem during installation:
CALL TECHNICAL SUPPORT: 440.891.0999 or 800.486.0999

**TO ACTIVATE YOUR WARRANTY GO TO:
[CORSAPERFORMANCE.COM/WARRANTY](https://www.corsaperformance.com/warranty)**

COLOR INSTRUCTIONS ARE AVAILABLE BY PART NUMBER ON: [CORSAPERFORMANCE.COM](https://www.corsaperformance.com)



NEVER work on a hot exhaust system.
Allow time for the vehicle to cool.



**Always wear eye protection
when working under a vehicle.**

INSTALL DIFFICULTY

RECOMMENDED TOOLS & SUPPLIES

- T15 TORX screwdriver
- 1/4" Drive Ratchet
- 1/4" Drive 7mm Deep Socket
- 1/4" Drive 8mm Deep Socket
- 1/4" Drive 10mm Deep Socket
- 1/4" Drive IPR30 TORX plus sec. bit (Z07 Only)
- 1/2" Drive Ratchet or 1/2" Drive Breaker Bar
- 1/2" Drive 22mm Deep Socket
- Push Clip Removal Tool/Flat Head Screwdriver
- 15mm wrenches (2)
- 3/8" Drive Ratchet
- 3/8" Drive 10mm Deep Socket
- 3/8" Drive 13mm Deep Socket
- 3/8" Drive 15mm Deep Socket
- 3/8" Drive Long Extension (24")
- Soap and Water Solution
- Grommet Pullers
- Safety Glasses
- Torque Wrench

PLEASE READ THESE INSTRUCTIONS BEFORE INSTALLATION.

CORSA recommends that the installation of this system be performed by a qualified service center or professional installer who has the necessary equipment, tools, and experienced personnel. However, if you decide to perform this installation yourself, the use of an additional person may be required.

WARNING: Never work on a hot exhaust system. Allow time for the vehicle to cool. Always wear eye protection when working under a vehicle.

This warranty does not extend to damaged or defect in the finish of a product or to any product, that in the opinion of CORSA Performance, has been misused, damaged by accident or negligence, altered or modified in any way, faulty installation or installed contrary to CORSA installation instructions, or repaired by an unauthorized service facility.

Full warranty available on www.corsaperformance.com

ALERT:

EXHAUST VALVE POSITION

To achieve optimal exhaust performance, CORSA requires the exhaust valve position re-learn procedure to be performed, using a device having **Dealer Level Access to the C8 Z06 Corvette ECU**, on all exhaust valves immediately following exhaust installation as the final part of the installation process.

The NPP exhaust valves should be re-calibrated according to GM Document ID 5406413. This procedure ensures the NPP exhaust valve positions are in compliance with the required ranges as defined by the C8 Z06 Corvette ECU and will prevent any associated CEL due to changes in the exhaust valve's operating range or position.

IMPORTANT NOTES BEFORE WORKING ON VEHICLE:

Part# 21111 (NPP Full Rear Muffler), and Part #21113 (NPP Rear Muffler Delete) **DO** have a provision to reuse the factory NPP Valve Actuators.

THE NPP ACTUATORS MUST BE ELECTRONICALLY RECONNECTED FOR THE EXHAUST VALVE POSITION RE-LEARN PROCEDURE ABOVE TO WORK

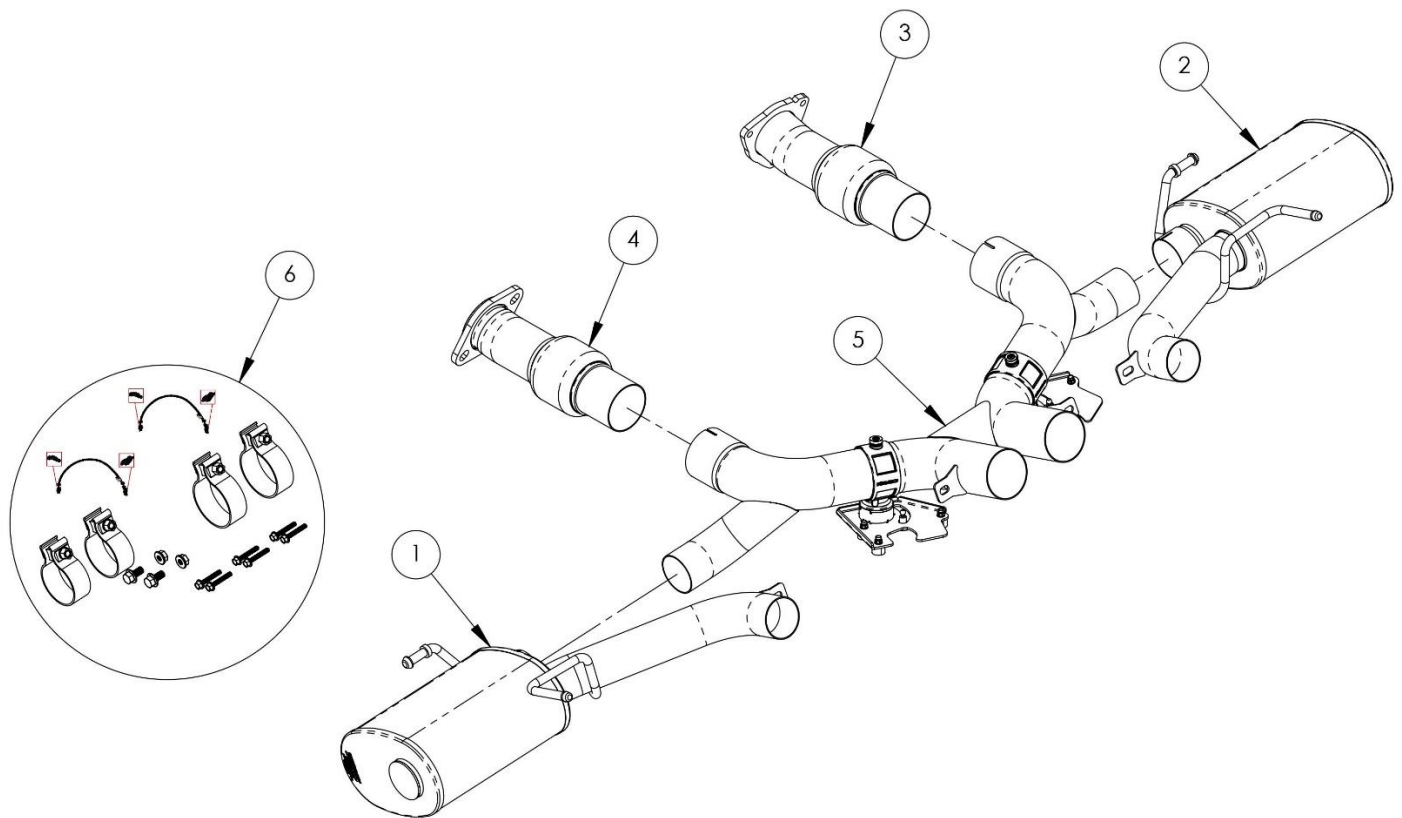
The CORSA Performance Exhaust Suite for the C8 Z06 Corvette has a provision in all versions of the exhaust system to keep the factory NPP Valve Actuators connected and operating through the same range as stock.

DO NOT TURN THE CAR ON OR START THE ENGINE WITH THE NPP VALVE ACTUATORS DISCONNECTED!

In the event the car is turned on with one or more of the NPP Valve Actuators disconnected: Reconnect the disconnected Valve Actuator(s) for the CORSA Valve System to validate its position and function after multiple key cycles (*this is required for the associated Valve CEL to go away on its own if disconnect happens after re-learn procedure is performed*). **The electronic actuators MUST BE connected and mounted to all CORSA valves present in the exhaust system.** The only other way to eliminate the NPP exhaust valve CEL is to perform a hard reset using a scan tool that is compatible with the C8 Z06 Corvette.

Please confirm that all parts are present according to the bill of materials before beginning the installation.

If something is missing call Tech Support at 440.891.0999 or Toll Free: 1.800.486.0999

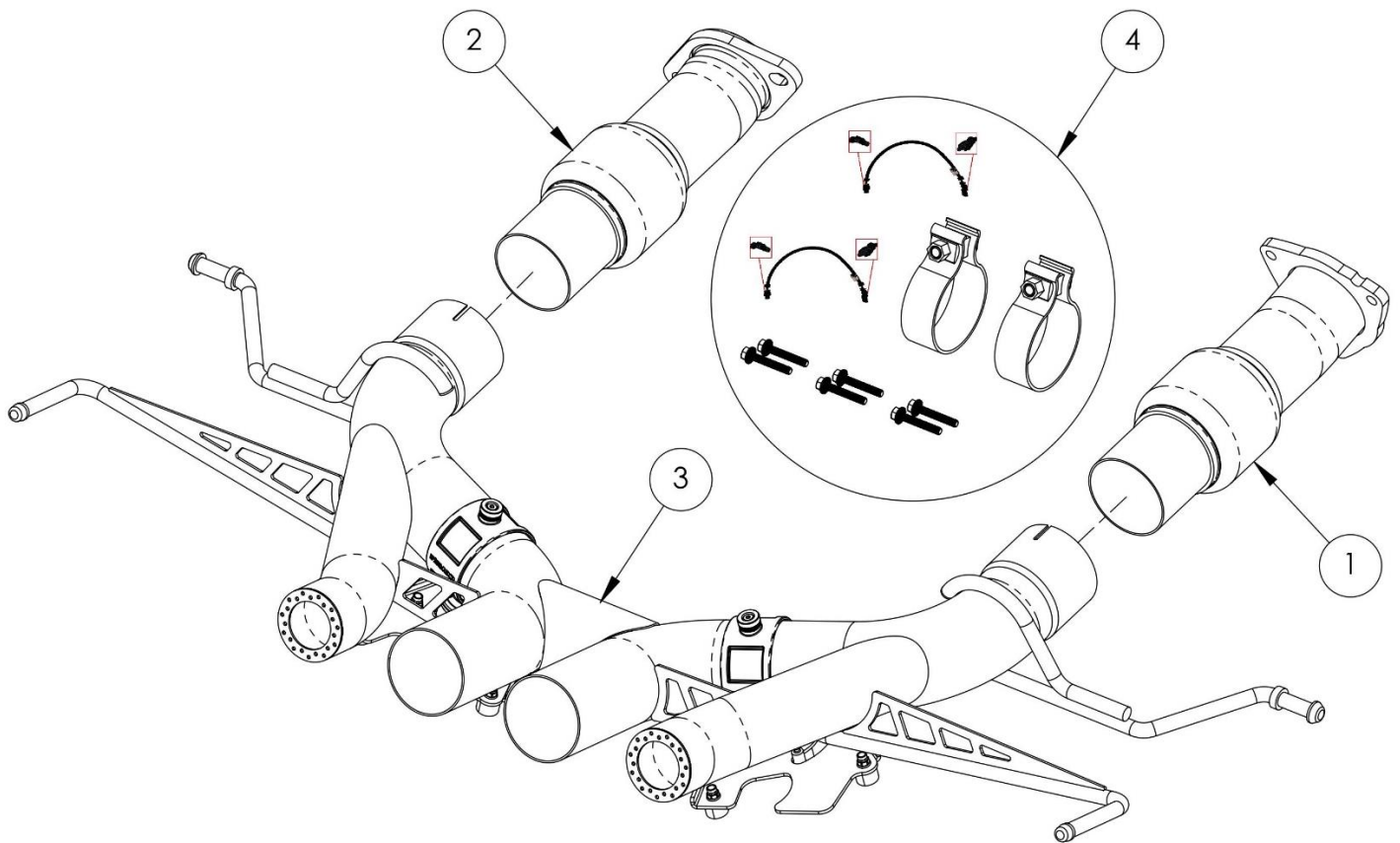


C8 Z06 EXHAUST WITH NPP FULL MUFFLER BILL OF MATERIALS – 21111

1.	Driver Muffler Assembly (Valved/NPP Compatible) (16CG2011)	2.	Pass. Muffler Assembly (Valved/NPP Compatible) (16CG2012)
3.	Pass. Head Pipe Assembly (16CG4102)	4.	Driver Head Pipe Assembly (16CG4103)
5.	Center Crossover Assembly (16CG4117)	6.	Hardware Kit for NPP Capable Full Muffler (16CG7028)

Please confirm that all parts are present according to the bill of materials before beginning the installation.

If something is missing call Tech Support at 440.891.0999 or Toll Free: 1.800.486.0999



C8 EXHAUST WITH NPP MUFFLER DELETE BILL OF MATERIALS – 21113

1.	Pass. Head Pipe Assembly (16CG4102)	2.	Driver Head Pipe Assembly (16CG4103)
3.	Muffler Delete Assembly (16CG4105)	4.	Hardware Kit for NPP Capable Muffler Delete (16CG7029)

CAUTION: Never work on a hot exhaust system. Allow the vehicle to cool for at least an hour and a half. Always wear eye protection when working under a vehicle. It is recommended to use cotton gloves in order to protect stainless steel surfaces from permanent grease and oil stains.

REMOVAL INSTRUCTIONS

FACTORY EXHAUST



1. Beginning at the front of the vehicle, unclip the front trunk side panels and remove from the vehicle. Set the panels aside in a protected location.



2. Unclip the front trunk battery cover panel and remove from the vehicle. Set the panel aside in a protected location.



3. Disconnect the negative battery terminal using a 10mm socket and 1/4" ratchet.



4. The rear bumper cover, two rear under trays, two inner fender liners, and the rear wheels will all need to be removed first in order to allow removal of the factory exhaust.

Continued on Next Page . . .

REMOVAL INSTRUCTIONS

FACTORY EXHAUST



5. The forward most rear under tray is secured by one push clip and ten 7mm bolts. Remove the push clip first using a removal tool or flat head screwdriver. Next, remove the bolts using a 7mm socket and ¼" ratchet to free the forward under tray from the vehicle. Set aside the forward under tray and fasteners in a protected location.



6. The rearward under tray is secured by two push clips (1 per side), four T15 TORX screws (2 per side), and six 7mm bolts (3 per side). Remove the push clips first using a removal tool or flathead screwdriver, followed by the T15 TORX screws, and then the bolts using a 7mm socket and ¼" ratchet. This will free the rearward under tray from the vehicle. Set aside the rearward under tray and fasteners in a protected location.



7. Remove the ten lug nuts and the two rear wheels from both sides of the vehicle using a 22mm socket and ½" ratchet or ½" drive breaker bar. This will allow access to the factory inner fender liners. Set aside the rear wheels and lug nuts in a protected location.



8. The two splash guard panels are secured by four T15 TORX screws (2 per side). Remove the screws to free the splash guard panels from the outside rearmost corners of the inner fender liners on both sides of the vehicle. Set aside the panels and fasteners in a protected location.

Continued on Next Page . . .

REMOVAL INSTRUCTIONS

FACTORY EXHAUST



- 9.** The inner fender liners are secured by ten T15 TORX screws, four push clips, and three 7mm bolts per side. Starting on the driver side, remove the push clips first using a removal tool or flathead screwdriver, followed by the T15 TORX screws, and then the bolts using a 7mm socket and 1/4" ratchet. This will free the inner fender liner from the vehicle.



- 10.** Repeat **REMOVAL STEP 9** for the passenger side of the vehicle. Set aside both inner fender liners and fasteners in a protected location. **REMOVAL STEPS 9-10** will allow access to the factory quarter panel to rear bumper cover connections on each side of the vehicle.



- 11.** The sides of the rear bumper cover are secured to the quarter panel by a 10mm nut and two 7mm bolts on each side. Starting on the driver side, remove the nut first using a 10mm socket and 3/8" ratchet, followed by the two bolts using a 7mm socket and 1/4" ratchet.



- 12.** Repeat **REMOVAL STEP 11** for the passenger side of the vehicle. Set aside the fasteners in a protected location.

Continued on Next Page . . .

REMOVAL INSTRUCTIONS

FACTORY EXHAUST

NOTE: Continue with **REMOVAL STEPS 13-15** for C8 Z06 vehicles equipped with the optional factory Z07 Carbon Fiber aero package that includes a through-bumper mounted rear wing.

Skip to (or continue with) **REMOVAL STEP 16** for all C8 Z06 variants.



13. (FOR Z07 PACKAGE ONLY) Remove the four screws (2 per side) that secure the Carbon Fiber rear wing to the wing mounting blocks using a IPR30 TORX plus security bit and a ¼" ratchet...



14. (FOR Z07 PACKAGE ONLY) (Continued) to free the rear wing from the vehicle. CAREFULLY set aside the Carbon Fiber rear wing and fasteners in a protected location.



15. (FOR Z07 PACKAGE ONLY) The wing mounting blocks are secured by four bolts (2 per side). Remove the bolts to free the mounting blocks from the chassis using a 10mm socket and ¼" ratchet. This will allow the subsequent removal of the factory rear bumper cover from the vehicle. Set aside the fasteners in a protected location.

Continued on Next Page . . .

REMOVAL INSTRUCTIONS

FACTORY EXHAUST



16. (ALL VERSIONS) Remove the sixteen T15 TORX screws that secure the top of the factory rear bumper cover to the chassis. Start with the fourteen screws that run along the top edge of the bumper.



17. Remove the last two T15 TORX screws that are facing rearward and tucked into the corner of the fender on each side. This will allow the bumper cover to move independently from the vehicle. Set aside the fasteners in a protected location.



18. Get 2 helpers for **REMOVAL STEPS 18 & 19.** There are three wiring harness connectors that need to be disconnected to be able to remove the factory rear bumper cover from the vehicle. We recommend a person on each side of the vehicle **CAREFULLY** slide the rear bumper cover straight back and hold the bumper cover in the air while a third person disconnects the driver side connector....



19. (Continued) followed by the two passenger side connectors to free the rear bumper cover from the vehicle. **CAREFULLY** set aside the factory rear bumper cover in a protected location.

Continued on Next Page . . .

REMOVAL INSTRUCTIONS

FACTORY EXHAUST



- 20.** Disconnect the wiring connectors to both NPP valve actuators; these are located just in front of the pipes leading to the inner (center) exhaust position. Note that the grey locking tab on the wiring connectors must be slid outwards before disconnecting the wires from the actuators.



- 21.** Support the factory exhaust with a jack stand. Remove the four bolts that secure both of the rear exhaust grommets to the chassis using a 13mm socket and 3/8" ratchet. Set aside the fasteners in a protected location.



- 22.** Remove the two M10 nuts that secure the driver side cat back mounting flange to the factory catalyst using a 15mm socket, a 3/8" ratchet, and a 24" long extension. Set aside the fasteners in a protected location.



- 23.** Remove the three M8 nuts that secure the passenger side cat back mounting flange to the factory catalyst using a 13mm socket, a 3/8" ratchet, and a 24" long extension. Set aside the fasteners in a protected location.

Continued on Next Page . . .

REMOVAL INSTRUCTIONS

FACTORY EXHAUST



24. Remove both driver and passenger front exhaust grommets from the hanger on the chassis side of the connection using grommet pullers or similar device. The use of a soap and water solution will aid in the removal of the hangers from the factory grommets.



25. CAREFULLY slide the factory exhaust down and rearward to free it from the vehicle.



26. With the factory exhaust on the ground, remove the front grommets from the exhaust hangers using a grommet puller or similar device. Once again, the use of a soap and water solution will aid in the removal of the hangers from the factory grommets. Note the orientation of the grommets for the installation of the CORSA exhaust system. Set aside the grommets in a protected location.



27. Remove both rear exhaust grommets from the exhaust hangers using grommet pullers or similar device. Note the orientation of the grommets for the installation of the CORSA exhaust system. Set aside the grommets in a protected location.

Continued on Next Page . . .

REMOVAL INSTRUCTIONS

FACTORY EXHAUST



28. Remove the two locking pins from both NPP valve actuator linkages on the factory valve side (not valve actuator side) of the linkage as shown....



29. (Continued) then remove both NPP valve actuator linkages from the factory NPP valves as shown. Set aside the locking pins in a protected location.



30. Remove the three bolts that secure the passenger side factory NPP valve actuator using a 10mm socket and a 1/4" ratchet. Label the passenger side actuator accordingly to ensure that it is properly identified for the installation process, then set aside the NPP valve actuator in a protected location.



31. Repeat **REMOVAL STEP 30** for the driver side factory NPP valve actuator using a 10mm socket and a 1/4" ratchet for the one bolt and an 8mm socket and a 1/4" ratchet for the two studs. Label and set aside the NPP valve actuator in a protected location. Both NPP valve actuators will be reused during the installation of the CORSA exhaust system.

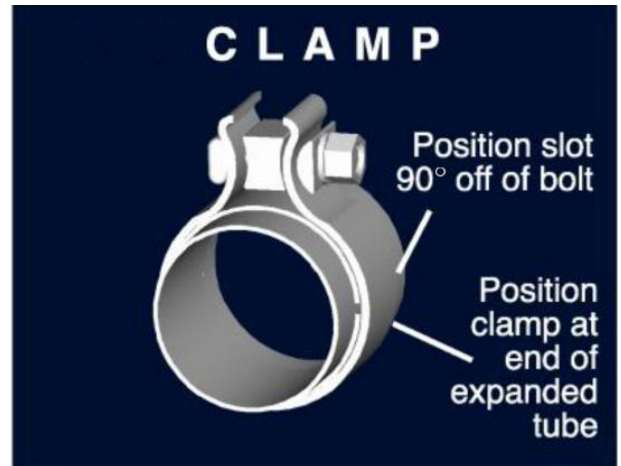
Step 31 concludes the removal of the factory exhaust.

WARNING! DO NOT SKIP THIS STEP!

CORSA recommends the application of anti-seize lubricant to the threads **ONLY** of all the clamps and flange bolts. Failure to follow this procedure can cause nuts to seize on clamps and potentially destroy threads.

After applying anti-seize lubricant, be sure to **thoroughly** clean your hands, as lubricant will tarnish stainless steel.

All clamps should be tightened using a properly calibrated Torque Wrench. Using an air impact gun will damage the clamp and reduce its ability to effectively seal the joint. It may also cause the joint to separate, thereby causing damage to your exhaust system and to your vehicle.



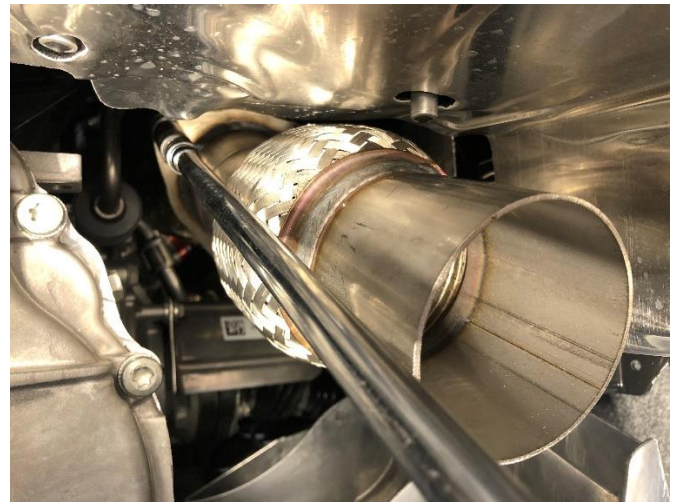
NOTE: Align all clamps so that the center of the clamp bolt is 90 degrees from the notch in the pipe.

INSTALLATION INSTRUCTIONS

CORSA EXHAUST



1. Locate the CORSA passenger side head pipe assembly, and the three M8 nuts set aside in **REMOVAL STEP 23**. Insert the passenger side CORSA head pipe assembly onto the studs from the catalyst as shown, then hand tighten the M8 nuts to hold the head pipe in place. Note the position of the head pipe assembly within the chassis when it is correctly positioned.



2. Secure the passenger side cat back mounting flange to the factory catalyst using a 13mm socket, a 3/8" ratchet, and a 24" long extension. Torque to 17 FT-LBS.

Continued on Next Page . . .

INSTALLATION INSTRUCTIONS

CORSA EXHAUST



- 3.** Locate the CORSA driver side head pipe assembly, and the two M10 nuts set aside in **REMOVAL STEP 22**. Insert the driver side CORSA head pipe assembly onto the studs from the catalyst as shown, then hand tighten the M10 nuts to hold the head pipe in place, leaving the nuts loose enough that the head pipe can still pivot and rotate.



- 4.** Pivot and rotate the CORSA driver side head pipe assembly at the flange connection until the head pipe position mirrors the passenger side on both height and rotation as shown.



- 5.** Next, secure the driver side cat back mounting flange to the factory catalyst using a 15mm socket, a 3/8" ratchet, and a 24" long extension. Torque to 32 FT-LBS.



- 6.** Locate both front grommets set aside in **REMOVAL STEP 26**. Reinstall both driver and passenger front exhaust grommets onto the hangers on the chassis side of the connections. Make sure the larger sides of the grommets face upward as shown.

Continued on Next Page . . .

INSTALLATION INSTRUCTIONS

CORSA EXHAUST



- 7.** Locate both CORSA muffler assemblies (or the one-piece valved muffler delete assembly) and both rear grommets set aside in **REMOVAL STEP 27**. Install the rear exhaust grommets onto the rear hanger positions. Make sure the protruding rubber side of the grommet faces away from the piping (rearward) as shown.



- 8.** Locate the CORSA valved center crossover (or muffler delete) assembly, the two NPP valve actuators set aside in **REMOVAL STEPS 30/31**, and the six supplied M6 bolts. Identify driver and passenger side, then secure both factory NPP valve actuators to the CORSA NPP valve assemblies using a 10mm socket and a 1/4" ratchet. Torque to 89 IN-LBS.



- 9.** Locate the two locking pins set aside in **REMOVAL STEPS 28/29**. Connect both NPP valve actuator linkages to the CORSA NPP valve assemblies. Secure the connections with the locking pins.



- 10.** The NPP valve actuators should now be connected to the CORSA NPP valve assemblies as shown.

Continued on Next Page . . .

INSTALLATION INSTRUCTIONS

CORSA EXHAUST

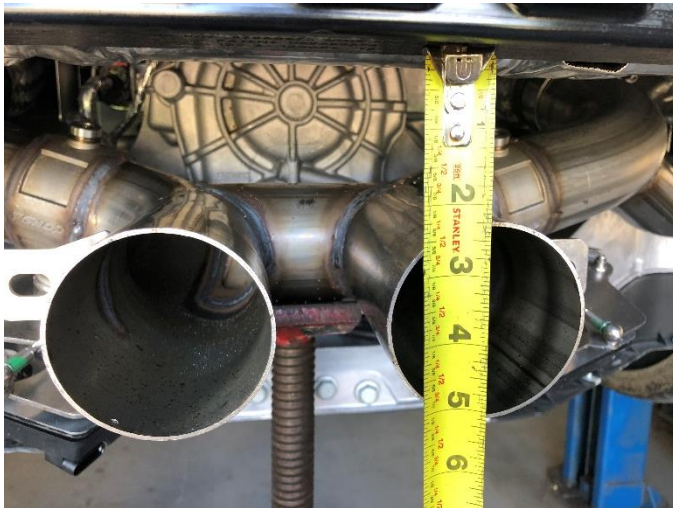
NOTE: Continue with **INSTALL STEPS 11-26**, then skip to **INSTALL STEP 34** for the full muffler version of the C8 Z06 CORSA exhaust. Skip to **INSTALL STEP 27**, then continue with the remainder of the installation steps for the muffler delete version of the C8 Z06 CORSA exhaust.



11. (FULL MUFFLER ONLY) Locate the two supplied 3" clamps. Position both clamps on the center crossover pipe inlets, so the clamp bolts are on the outside of the expansion and facing downwards as shown.



12. (FULL MUFFLER ONLY) Insert both inlet connections of the CORSA center crossover assembly on to the outlets of both head pipe assemblies, with approximately 1.75" of overlap at the pipe connection on both sides.



13. (FULL MUFFLER ONLY) Support the center of the CORSA center crossover assembly with a jack stand. Adjust the height of the jack stand until there is approximately a 2 1/4" gap between the top of the center crossover outlet and the chassis on both sides as shown.



14. (FULL MUFFLER ONLY) Adjust the rotation and overlap of the center crossover assembly onto both head pipes until the outlets are even vertically, and each of the center crossover pipe to muffler outlet connections have approximately 3/4" clearance from the front side of the pipe to the chassis as shown.

Continued on Next Page . . .

INSTALLATION INSTRUCTIONS

CORSA EXHAUST



15. (FULL MUFFLER ONLY) Tighten both exhaust clamps at the driver and passenger side center crossover inlet connections using a 15mm socket and 3/8" ratchet to secure the center crossover assembly.



16. (FULL MUFFLER ONLY) Locate the CORSA passenger muffler assembly, and a supplied 2.5" clamp. Position the clamp on the passenger muffler inlet so the clamp bolt is in front of the expansion and the clamp nut is facing downwards.



17. (FULL MUFFLER ONLY) Insert the passenger front muffler hanger into the front exhaust grommet as shown.



18. (FULL MUFFLER ONLY) Insert the inlet of the passenger muffler assembly on to the passenger side outlet of the center crossover assembly with approximately 1.375" of overlap.

Continued on Next Page...

INSTALLATION INSTRUCTIONS

CORSA EXHAUST



19. (FULL MUFFLER ONLY) Locate the supplied M10x20mm long flange bolt and M10 flange nut. Make sure the tie bracket from the passenger muffler assembly is positioned in front of the corresponding tie bracket on the passenger side of the center crossover assembly as shown.



20. (FULL MUFFLER ONLY) Insert the M10 flange bolt through both slots in the tie brackets from the rearward side, and secure with the M10 flange nut. Snugly tighten with two 15mm wrenches, leaving it loose enough for later adjustment.



21. (FULL MUFFLER ONLY) Locate two of the factory rear grommet bolts set aside in **REMOVAL STEP 21**. Insert both bolts through the passenger rear exhaust grommet and secure the grommet to the chassis using a 13mm socket and 3/8" ratchet. Torque to 17 FT-LBS.



22. (FULL MUFFLER ONLY) Tighten the exhaust clamp at the passenger side muffler inlet connection using a 15mm socket and 3/8" ratchet to secure the passenger muffler assembly.

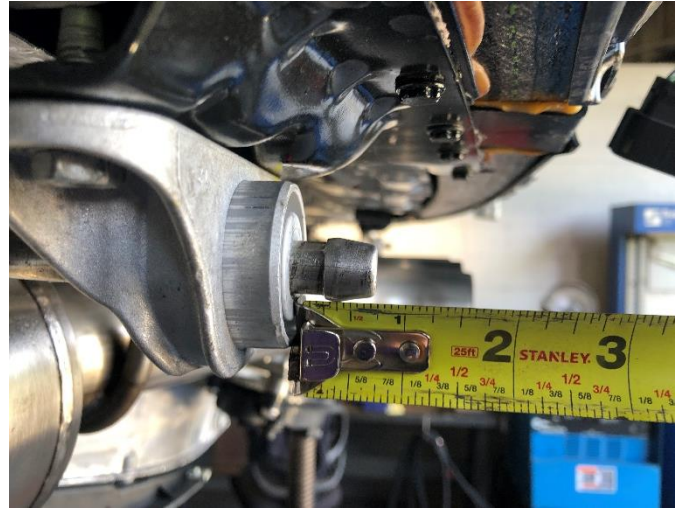
Continued on Next Page ...

INSTALLATION INSTRUCTIONS

CORSA EXHAUST



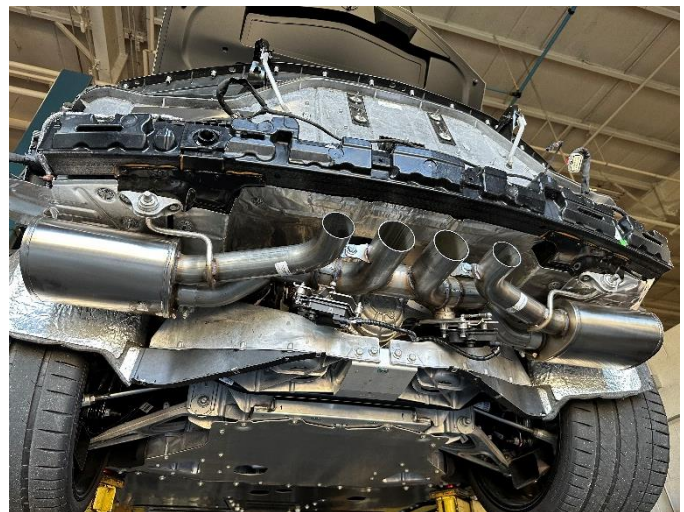
23. (FULL MUFFLER ONLY) Repeat **INSTALL STEPS 16-22** for the driver side of the vehicle (CORSA driver muffler shown), then remove the supporting jack stand from under the exhaust.



24. (FULL MUFFLER ONLY) At this time, adjust the muffler, center crossover, and head pipe positions until there is approximately $\frac{1}{4}$ " between the outer face of the rear grommets and the forward edge of the head on the rear hangers on both driver and passenger sides of the vehicle as shown. It is critical for proper fitment to get the system adjusted as square as possible on the vehicle.



25. (FULL MUFFLER ONLY) Adjust the muffler position as needed until there is approximately a fingertip clearance between the heat shielding mounting studs and the top of the mufflers on both the driver and passenger side.



26. (FULL MUFFLER ONLY) The CORSA full muffler exhaust system should now be installed and positioned as shown.

Continued on Next Page ...

INSTALLATION INSTRUCTIONS

CORSA EXHAUST



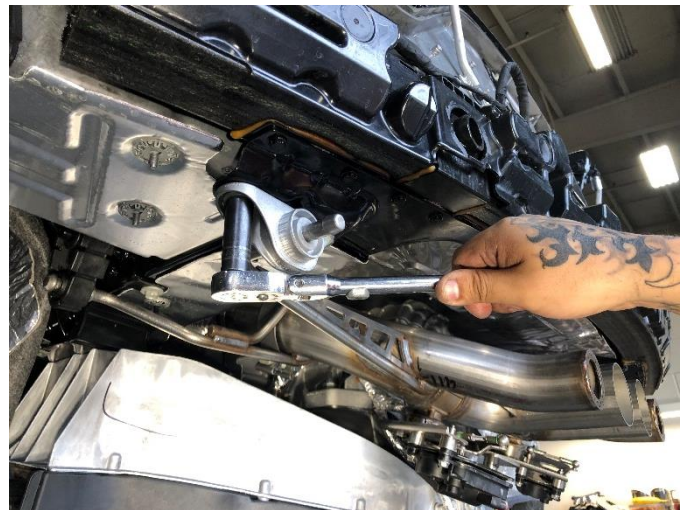
27. (MUFFLER DELETE ONLY) Locate the CORSA NPP valved muffler delete assembly, and the two supplied 3" clamps from the hardware kit. Position both clamps on the pipe inlets, so the clamp bolts are on the outside of the expansion and facing downwards as shown.



28. (MUFFLER DELETE ONLY) Insert both the driver and passenger side muffler delete front hangers into the front exhaust grommets as shown.



29. (MUFFLER DELETE ONLY) Insert both inlet connections of the CORSA muffler delete assembly on to the outlets of both head pipe assemblies, with approximately 1.75" of overlap at the pipe connection on both sides.



30. (MUFFLER DELETE ONLY) Locate the four factory rear grommet bolts set aside in **Removal Step 21**. Insert both bolts through the driver and passenger rear exhaust grommets and secure the grommets to the chassis using a 13mm socket and 3/8" ratchet. Torque to 17 FT-LBS.

Continued on Next Page...

INSTALLATION INSTRUCTIONS

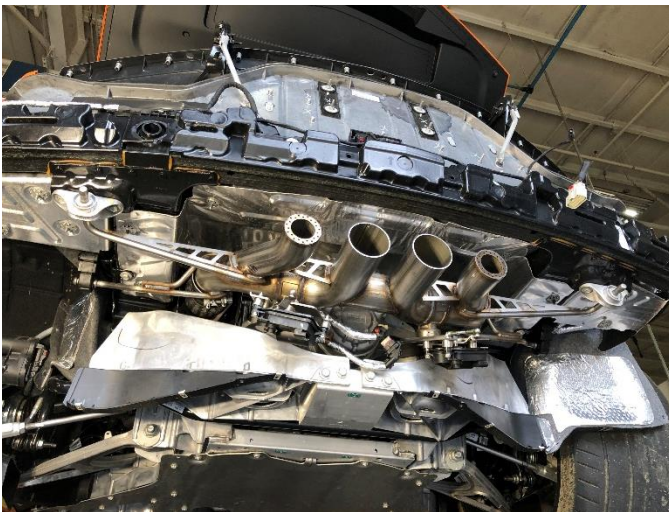
CORSA EXHAUST



31. (MUFFLER DELETE ONLY) At this time, adjust the muffler delete and head pipe positions until there is approximately $\frac{1}{2}$ " - $\frac{3}{4}$ " between the outer face of the rear grommets and the forward edge of the head on the rear hangers on both driver and passenger sides of the vehicle as shown. It is critical for proper fitment to get the system adjusted as square as possible on the vehicle.



32. (MUFFLER DELETE ONLY) Tighten both exhaust clamps at the driver and passenger side muffler delete inlet connections using a 15mm socket and 3/8" ratchet to secure the muffler delete assembly.



33. (MUFFLER DELETE ONLY) The CORSA muffler delete exhaust system should now be installed and positioned as shown.

Continued on Next Page . . .

INSTALLATION INSTRUCTIONS

CORSA EXHAUST



34. (ALL VERSIONS) Locate both supplied NPP valve wiring extensions. Connect both wiring extensions to the chassis side of the NPP valve wiring connectors. Push in the grey locking tabs on the wiring connectors to secure the connections.



35. Connect the opposite end of the wiring extensions to the NPP valve actuators on both sides of the vehicle. Push in the grey locking tabs on the wiring connectors to secure the connections.

36. At this time, reinstall the rear bumper cover, the Carbon Fiber rear wing (if equipped), both inner fender liners, both splash guard panels, and both rear wheels. Do not reinstall the rear under trays at this time. Installation is reverse of removal. Refer to **REMOVAL STEPS 7-19**. Continue with **INSTALL STEPS 37-41** for **ALL VERSIONS** of the CORSA exhaust installation once reinstallation of the stock components is complete.

Continued on Next Page . . .

INSTALLATION INSTRUCTIONS

CORSA EXHAUST



37. At this time, adjust the exhaust system position until all exhaust pipe outlets are centered within the collectors on the factory center exit tips, which are mounted to the rear valence.

38. (IF NECESSARY) Additional side to side adjustment of the CORSA exhaust can be achieved by loosening the driver and passenger side rear grommet bolts using a 13mm socket and 3/8" ratchet, and then shifting the grommet position laterally until the desired position is achieved. Re-Torque fasteners to 17 FT-LBS.



39. (IF NECESSARY) (FULL MUFFLER ONLY) Additional side to side muffer adjustment of the CORSA exhaust can be achieved by loosening both the tie bracket hardware, with two 15mm wrenches, and with the clamp at the muffer inlet, using a 15mm socket and 3/8" ratchet, then shifting the muffer position laterally until the desired position is achieved.

Continued on Next Page . . .

40. Torque all exhaust clamp bolts to 45 FT-LBS. Torque both sets of M10 hardware at the tie bracket connections to 22 FT-LBS. **(FULL MUFFLER ONLY)**

41. At this time, reinstall both of the rear under trays, reconnect the battery, and reassemble the paneling in the front trunk area. Installation is reverse of removal. Refer to **REMOVAL STEPS 1-6.** Installation Complete.

NOTE: During cold weather start-ups, you may experience an exhaust sound that is deeper and louder in tone than usual. This is temporary and will diminish to normal levels once your engine has reached its normal operating temperature.

NOTE: Immediately following the installation of your exhaust system, you may experience a trace of smoke after initial start-up. DO NOT be alarmed. The smoke is caused by the burning of a small amount of forming oil residue used in the manufacturing process.

NOTE: It is strongly suggested that all clamps be checked and tightened after road testing the vehicle once the system has cooled.

NOTE: NPP VALVE FUNCTION



The NPP valve behavior will be the same as the stock exhaust, where the opening and closing of the valves are based on the factory programming, which determines what to do based on gear, throttle, and RPM.

The NPP valves are not open all the time in the loudest exhaust setting (*Track driving mode*), nor are they closed all the time in the quietest exhaust setting (*Touring driving mode*). The only way to hold the valves closed is to change the engine sound management in the vehicle settings to the Stealth Sound configuration. **There is no sound configuration where the valves are always open.**

The default setting for the engine sound management is “Link to Drive Mode”, which will cause the sound to change with the driving mode. If the valve behavior does not change with driving mode, it means the sound configuration selected in the engine sound management is either stealth or one of the driving mode configurations, which overrides the changing with driving mode and locks the NPP valve behavior into one configuration all the time.

Please check that the engine sound management configuration is set to the desired option for optimal acoustic performance of your CORSA exhaust system.