



IMPORTANT WARRANTY & INSTALLATION INSTRUCTIONS ATTACHED

*Please Forward All Attached Information to Consumer. Warranty
Not Valid Unless Returned to dB Performance Exhaust*

We ask that you take a few moments to
Complete our warranty registration form.

To Activate Your 10 Year LIMITED WARRANTY, Go To:
dBexhaust.com/warranty



MADE IN THE USA



For Full-Color Installation Instructions, Please Visit:
dBexhaust.com & Search Part #

Please be sure to review the enclosed instructions prior to beginning the installation process. If you have any questions about the enclosed parts, instructions or encounter a problem during installation, **CALL dB Performance Exhaust TECHNICAL ASSISTANCE AT 800.486.0999**



dB Exhaust System Installation
Cat-Back Exhaust System
2010 Dodge Ram 2500
Single Side Exit w/ Slash Cut Tip
Part #24480 (Regular Cab/Long Bed), Part #24481 (Crew Cab/Short Bed)
Part #24482 (Mega Cab/Short Bed), Part #24483 (Crew Cab/Long Bed)

Please take time to read and understand these installation instructions.

We recommend that the installation of this system be performed by a qualified service center or professional muffler installer who has the necessary equipment, tools and experienced personnel. However, if you decide to perform this install, the use of a hoist and an additional person will be required.

CAUTION: Never work on a hot exhaust system. Allow time for the vehicle to cool. Always wear eye protection when working under a vehicle.

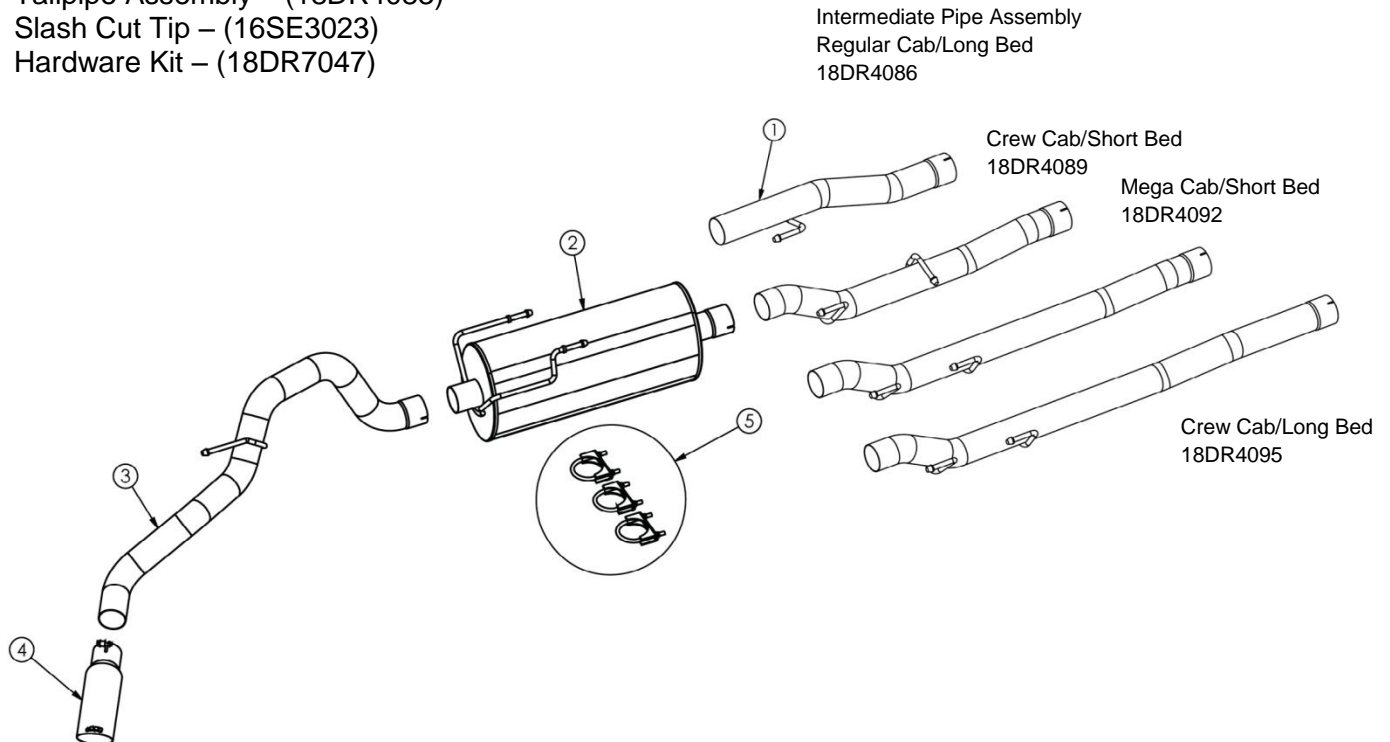
Recommended Tools:

- Torque Wrench
- 15mm Socket
- Safety glasses
- Soapy Water
- Grommet Pullers
- 3/8" Ratchet

Please confirm that all parts are present before beginning the factory exhaust system removal and CORSA dB Exhaust System installation.

Bill of Materials:

- 1) Intermediate Pipe Assembly
Part #24480 – (18DR4086)
Part #24481 – (18DR4089)
Part #24482 – (18DR4092)
Part #24483 – (18DR4095)
- 2) dB Muffler Assembly – (18DR2021)
- 3) Tailpipe Assembly – (18DR4083)
- 4) Slash Cut Tip – (16SE3023)
- 5) Hardware Kit – (18DR7047)



Removal of Stock Exhaust System

- Using a 15mm socket, loosen the factory clamp connecting the intermediate pipe to the factory headpipe. **(SEE Fig. A)**
NOTE: The use of a soapy water solution may aid in the removal and later installation of the hangers in the rubber isolators.
- Using a grommet puller or similar device, remove the intermediate pipe, muffler and tailpipe hangers. Be sure to remove the grounding strap from the factory muffler before removing the system from the vehicle. **(See Fig. B, C & D)**
- Remove the system over the axle towards the front of the vehicle. **(See Fig. D)** The removal of the factory system is complete.

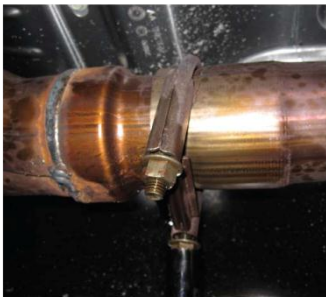


FIG. A



FIG. B



FIG. C



FIG. D

Installation of dB Performance Exhaust System:

NOTE: The supplied double edge clamps in this system will crush and permanently deform the exhaust piping as they are tightened. **DO NOT** tighten these clamps any more than is necessary to lightly hold the exhaust components in place, until the very end of this installation process. It will be difficult or impossible to make any positional or rotational adjustments to the exhaust system after these clamps have been tightened down.

VERY IMPORTANT: Align all clamps so that the open edge of the clamp bracket is parallel and aligned with the notch in the pipe, and the outside edge of the clamp bracket is approximately 1/8" from the end of the pipe expansion. (See Fig. 1) Failure to properly position or orient the clamps could result in a weak clamping load, or even a potential leak at the clamp joints.

IMPORTANT: Make sure that the small drain holes in the muffler are facing down when the muffler is installed. (See Fig. 2)

Continue to page 3 for step 1 of the installation process.

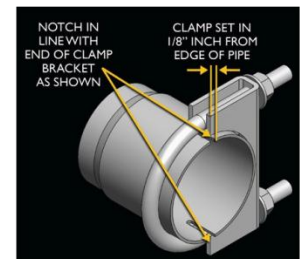


FIG. 1



FIG. 2

dB Performance Exhaust Installation Instructions:

1. Locate the dB intermediate pipe and slide the expanded end of the pipe onto the factory pipe. Next, slide the hangers through the rubber grommets. Then slide a 3" clamp over the expanded end of the pipe. Pre-tighten the clamp at this time. Leave the clamp loose enough for final adjustment later. **(See Fig. E & F)**

2. Locate the dB muffler and slide the muffler onto the end of the dB intermediate pipe. **(See Fig. G, H & I)** Make sure the weep holes in the muffler are facing down. Slide the two rear rubber grommets onto the muffler hangers as shown. Place a 3" clamp on the expanded end of the muffler. Pre-tighten the clamp at this time.

NOTE: Spraying the rear grommet with a soap and water solution will make the installation easier.

3. Slide the hanger on the tail pipe through the grommet. Then slide the expanded end of the tail pipe onto the exit of the dB muffler. **(See Fig. J, K & L)**

4. Place a 3" Clamp on the front of the dB tail pipe. Pre-tighten the clamp at this time. Reinstall grounding strap.

5. Locate the tip with built-in-clamp and slide the tip onto the exit of the tail pipe. Align the tip so that there is about a one-half to one inch gap between the top of the tip and the bottom of the body panel with logo facing up. Pre-tighten the clamp at this time. **(See Fig. M)**

6. Starting from the front of the truck, tighten all clamps to 35 ft.-lbs. and tip clamp to 16-20 ft.- lbs.

7. It is strongly suggested that all clamps be checked and tightened after road testing the vehicle once the system has cooled.



FIG. E



FIG. F



FIG. G



FIG. H



FIG. I



FIG. J



FIG. K



FIG. L

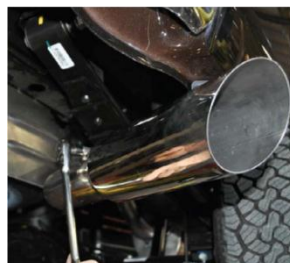


FIG. M

NOTE: During cold weather start-ups, you may experience an exhaust sound that is deeper and louder in tone than usual. This is temporary and will diminish to normal levels once your engine has reached its normal operating temperature. **NOTE:** Immediately following the installation of your exhaust system, you may experience a trace of smoke after initial start-up. **DO NOT** be alarmed. The smoke is caused by the burning of a small amount of forming oil residue used in the manufacturing