

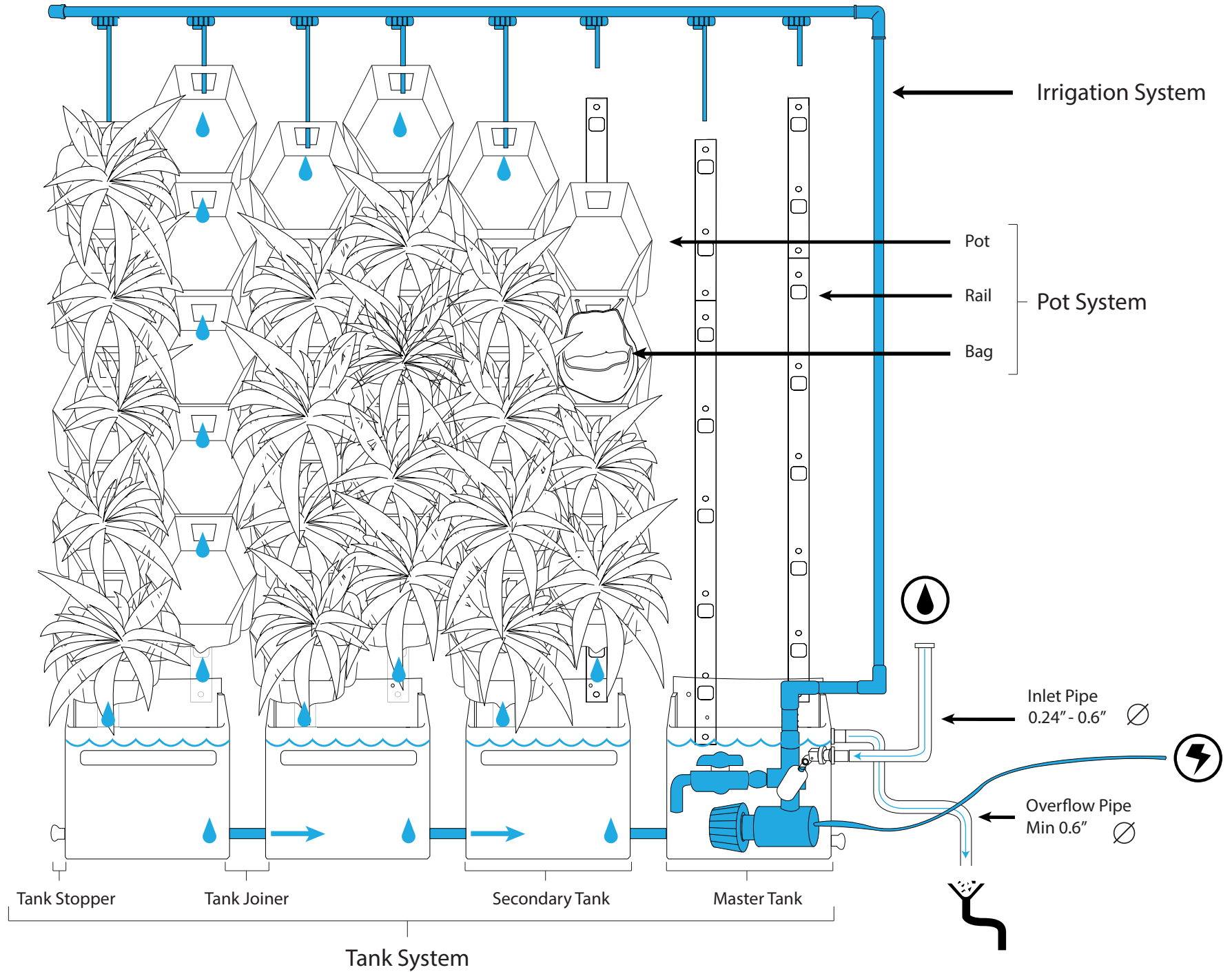


GrowUp

Installation Guidelines

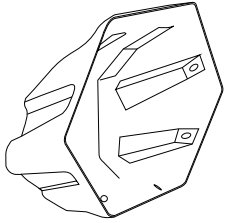


System Hardware Overview

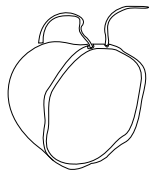


Components List

Pot System



Hex Pot

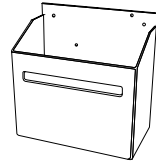


Planter Bag



Aluminium
5 Pot Rail

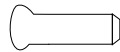
Tank System



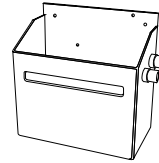
Secondary Tank



Grommets



Stopper

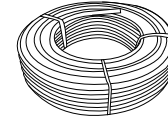


Master Tank



Tank Connector

Irrigation System



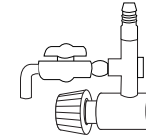
Irrigation Piping



End Cap



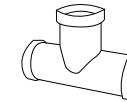
Elbow Pipe
Connector



Pump



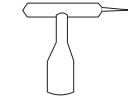
Hose Connector



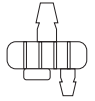
T - Connector



Pipe Clips



Dripper Hole
Punch

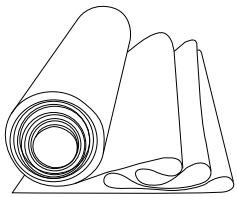


1 Gph
Dripper

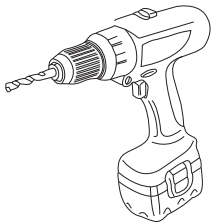


Dripper Extension
Pipe

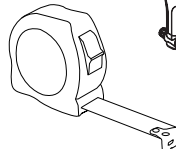
Equipment Required: (Not Provided)



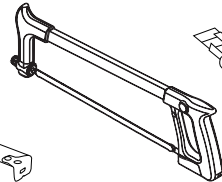
Drop Sheet



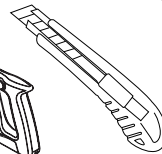
Drill



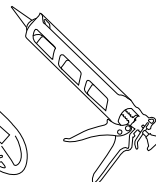
Tape Measure



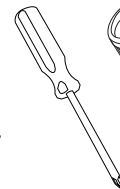
Hack Saw



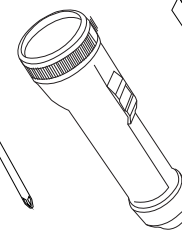
Box Cutter



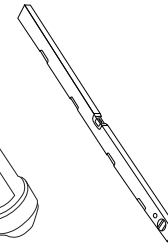
Silicone



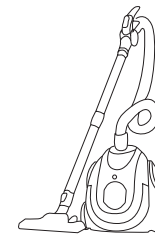
Star
Screwdriver



Flashlight



Spirit
Level



Vacuum
Cleaner

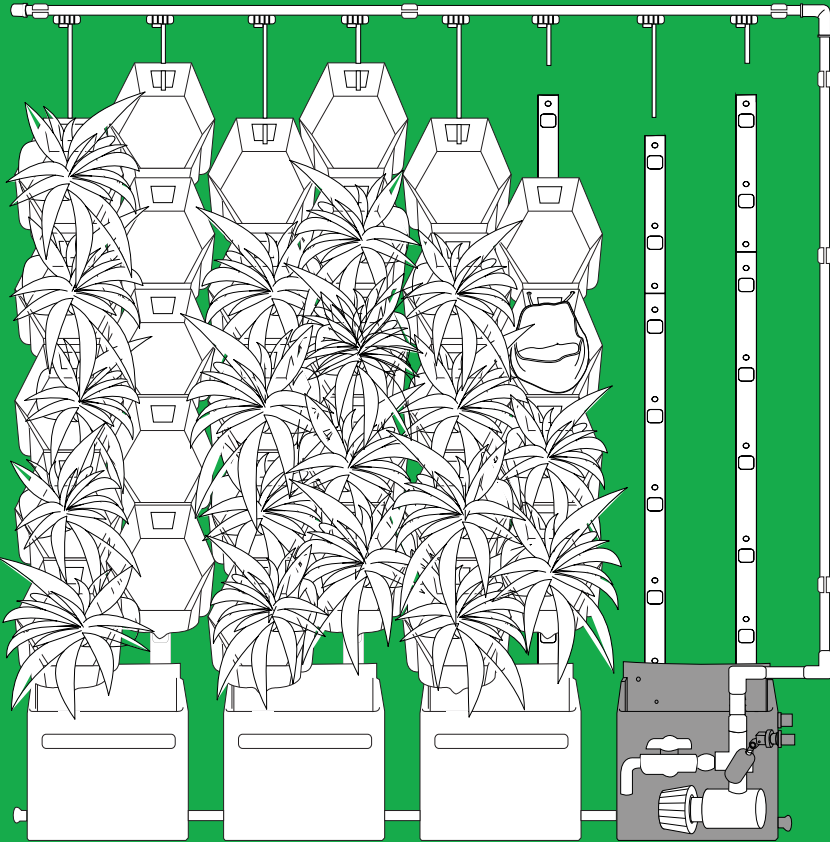


Soapy
Water



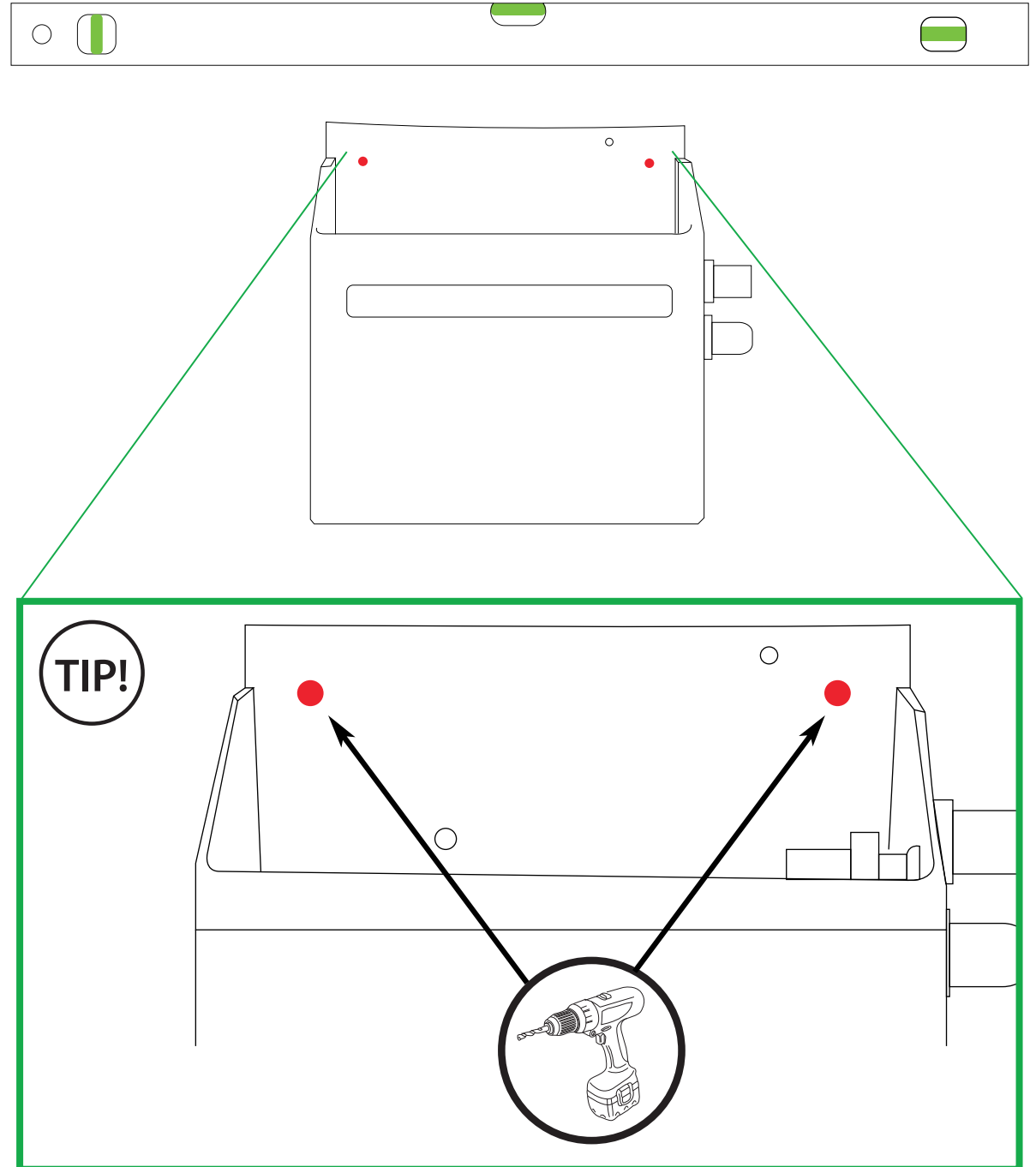
Masking
Tape

Step 1: Mounting master tank

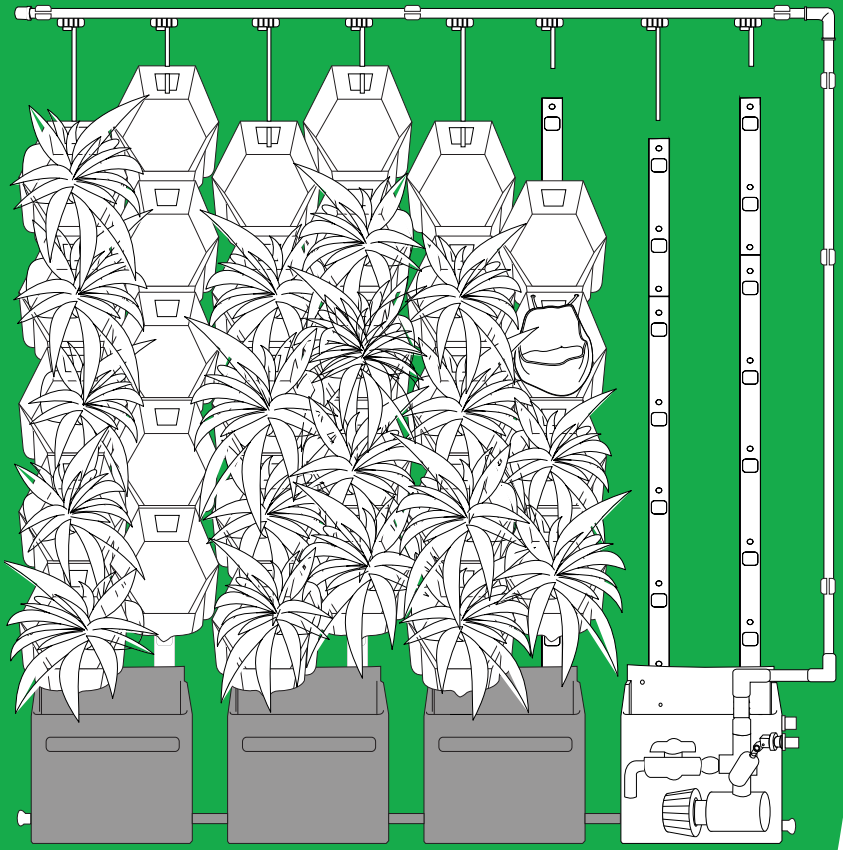


Process Comments

Install master tank level in bottom right corner of the wall.

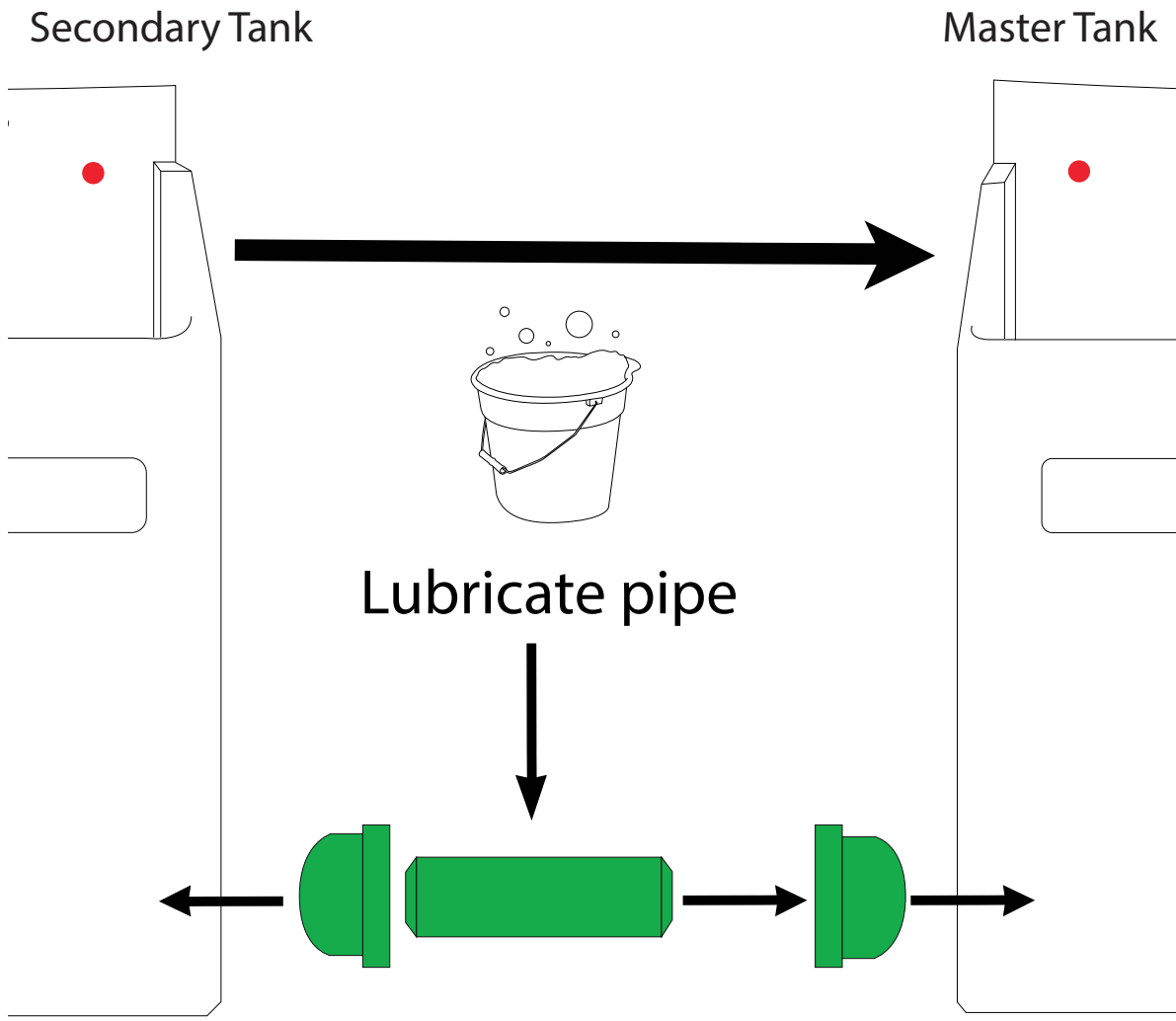


Step 2: Joining Tanks

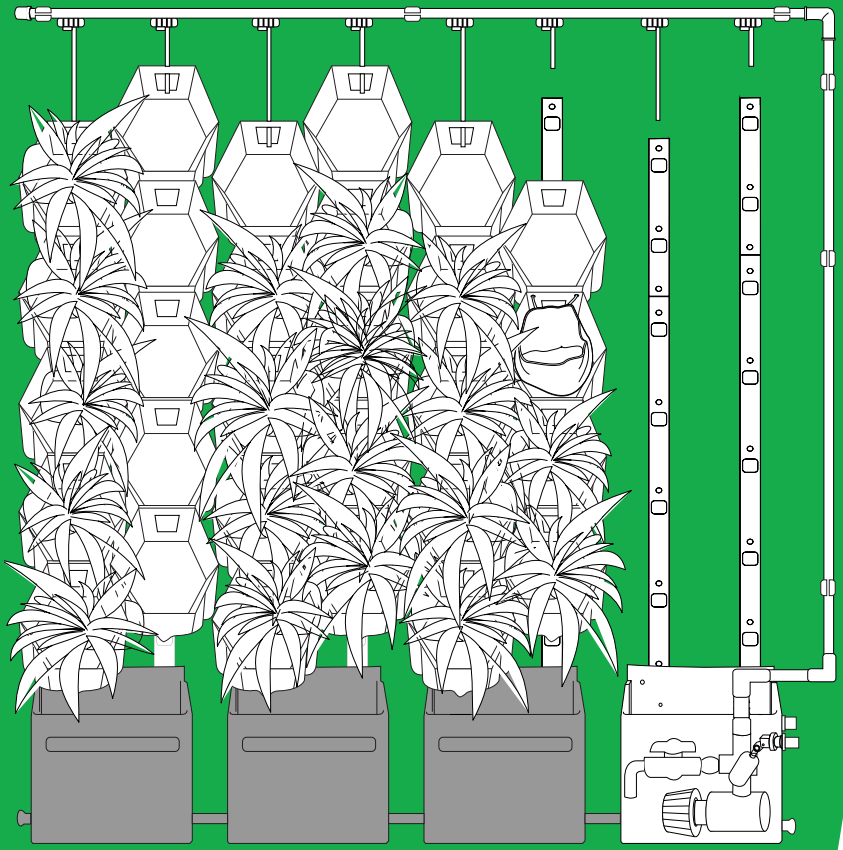


Process Comments

Insert grommets and push through connector pipe to join tanks.

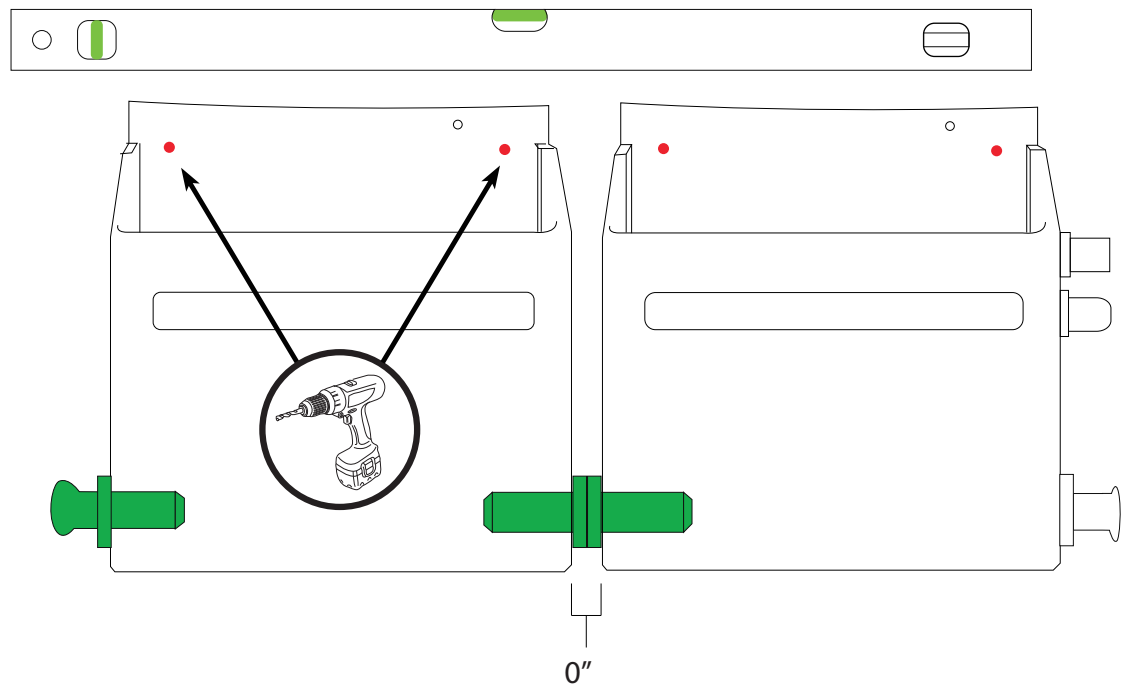
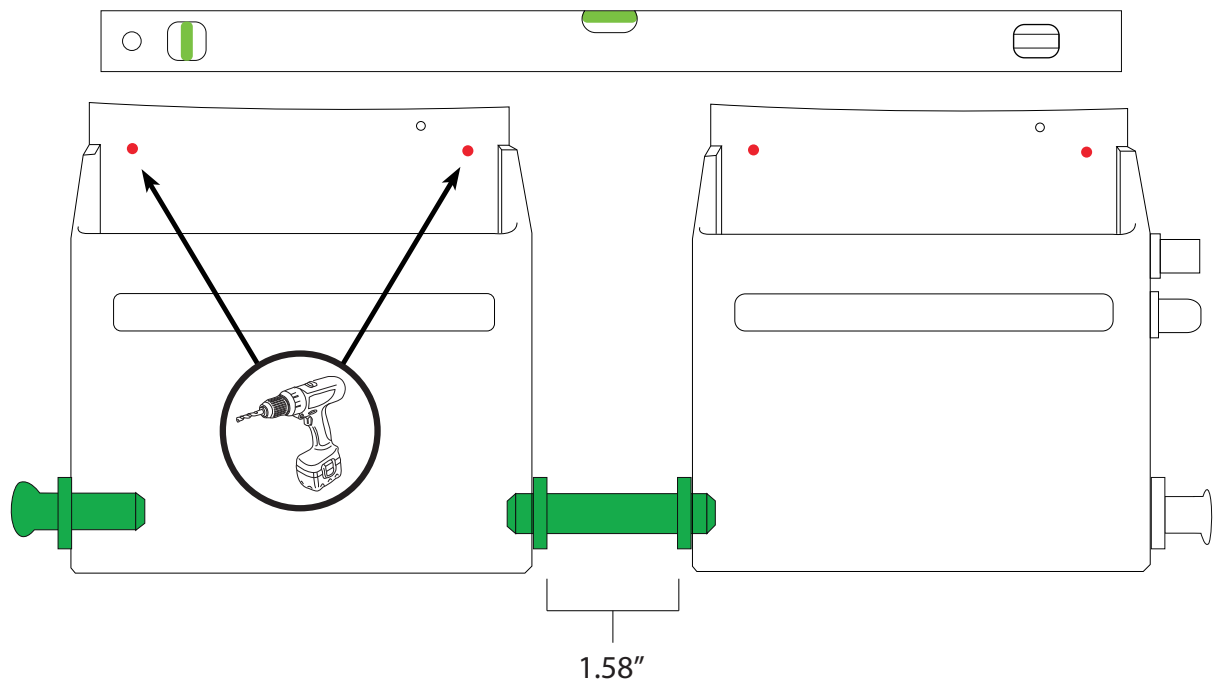


Step 3: Mounting Secondary Tank

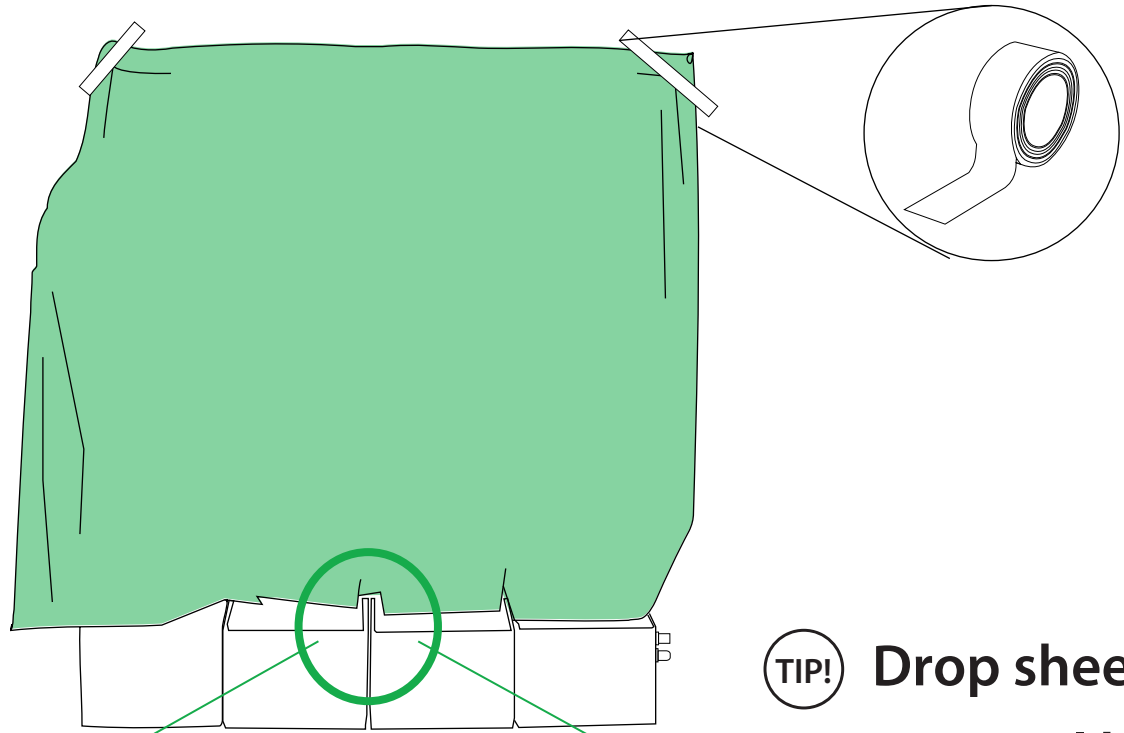
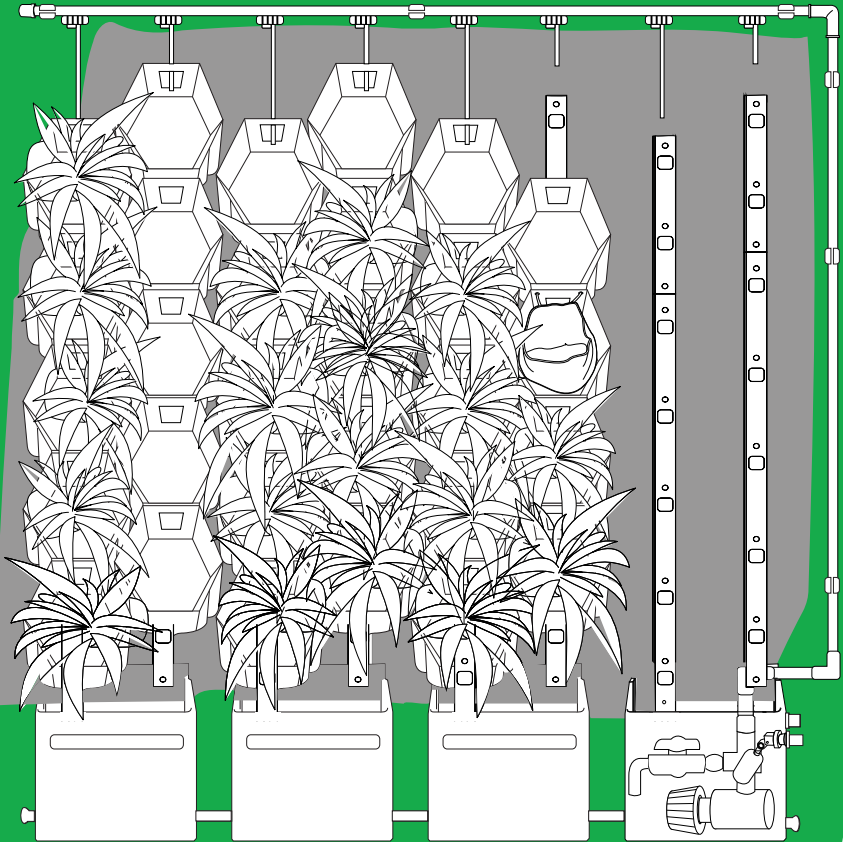


Process Comments

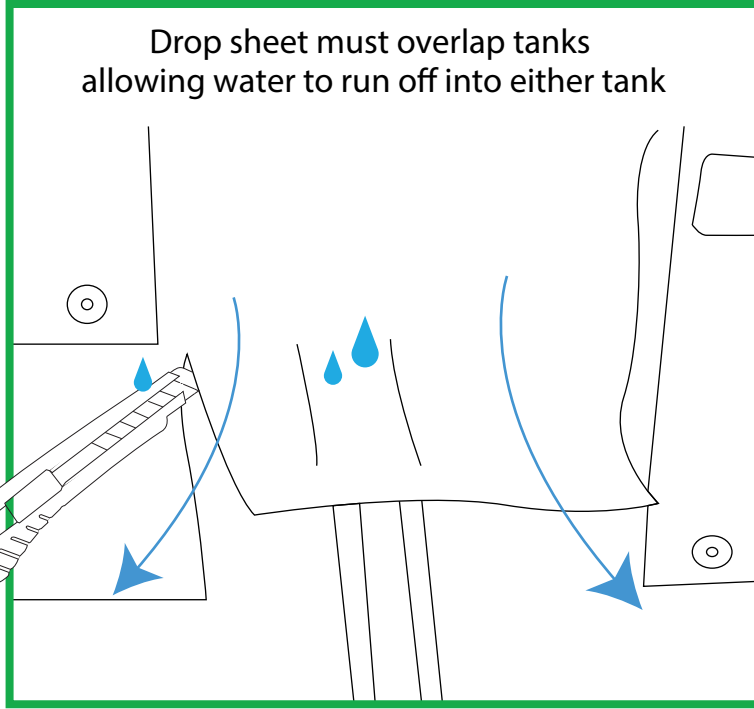
Set spacing between tanks between 0"- 1.58" to adjust the width of the system. Install tanks level. Insert stopper on last tank.



Step 4: Install Drop Sheet (optional)



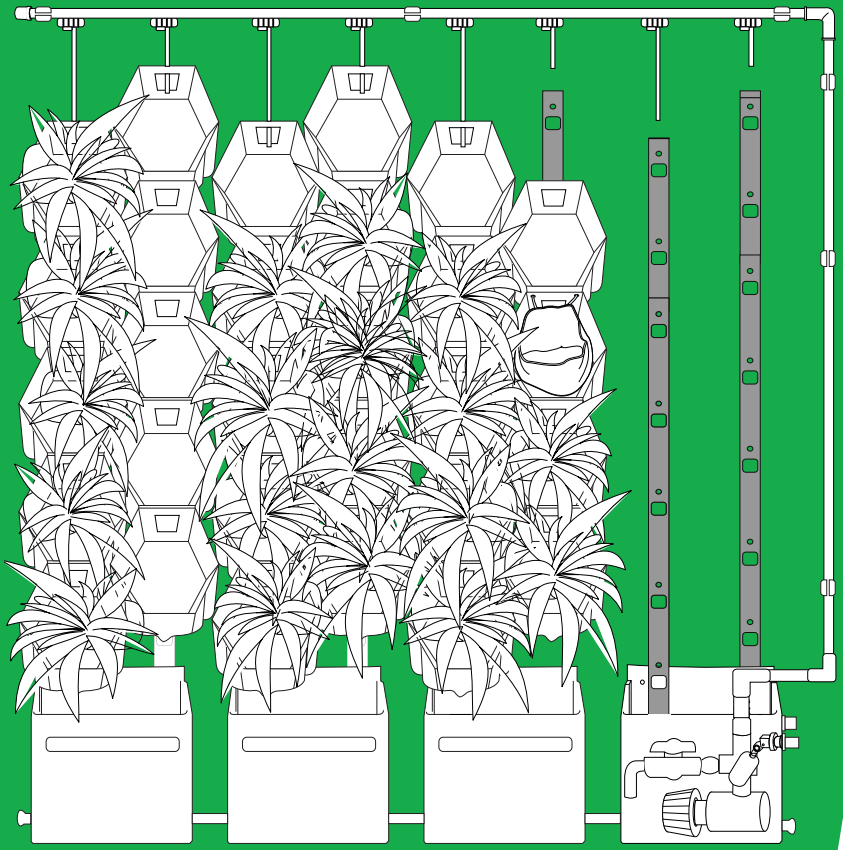
TIP! Drop sheet is optional but recommended for indoor installations.



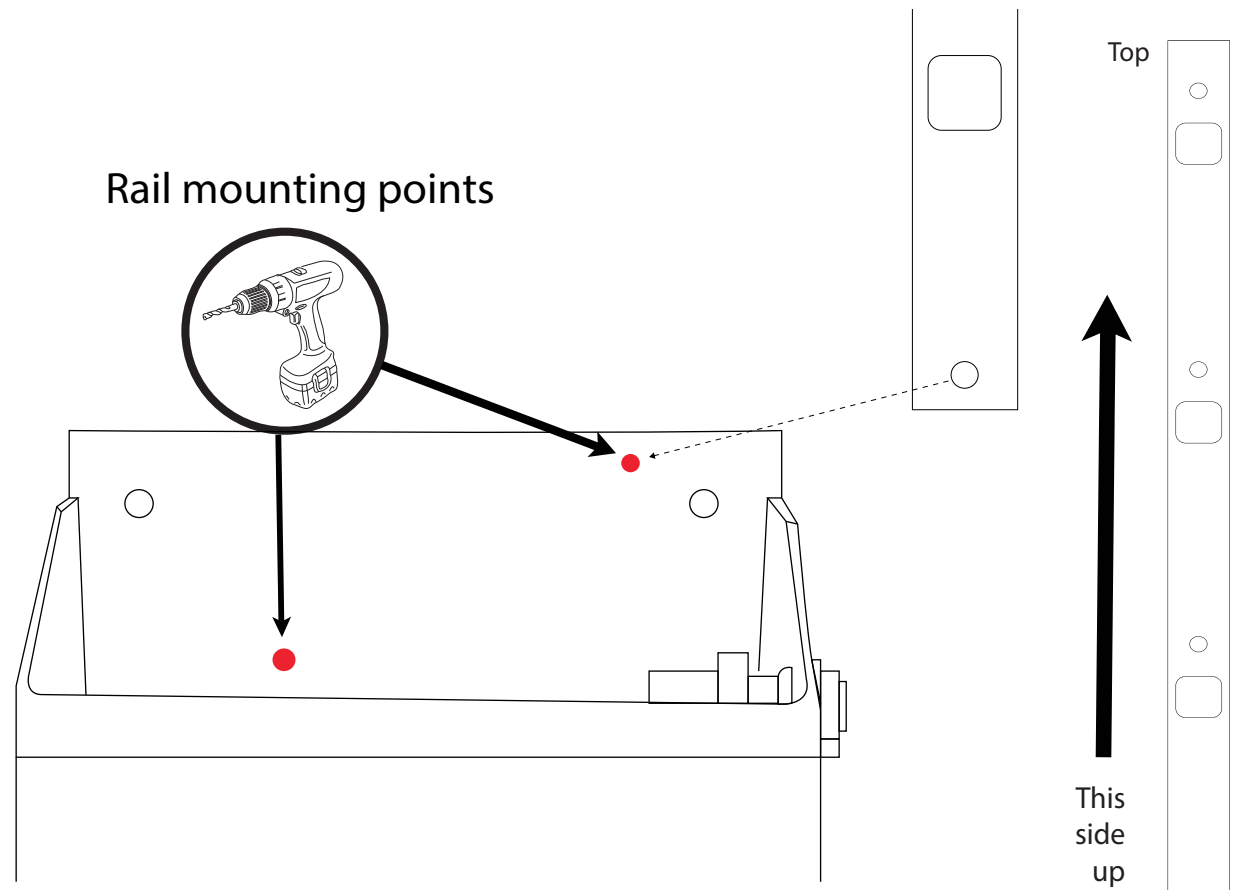
Process Comments

The drop sheet redirects water that escapes the pots due to installation or maintenance errors.

Step 5: Install Rails to Tanks

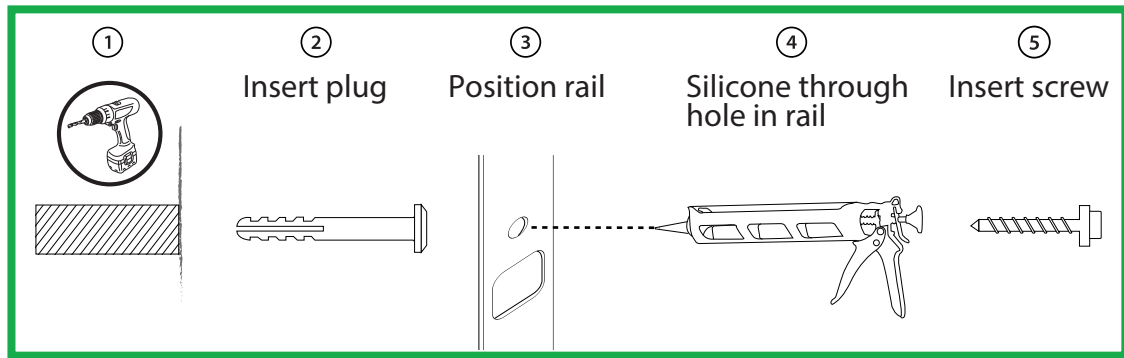


Rail mounting points



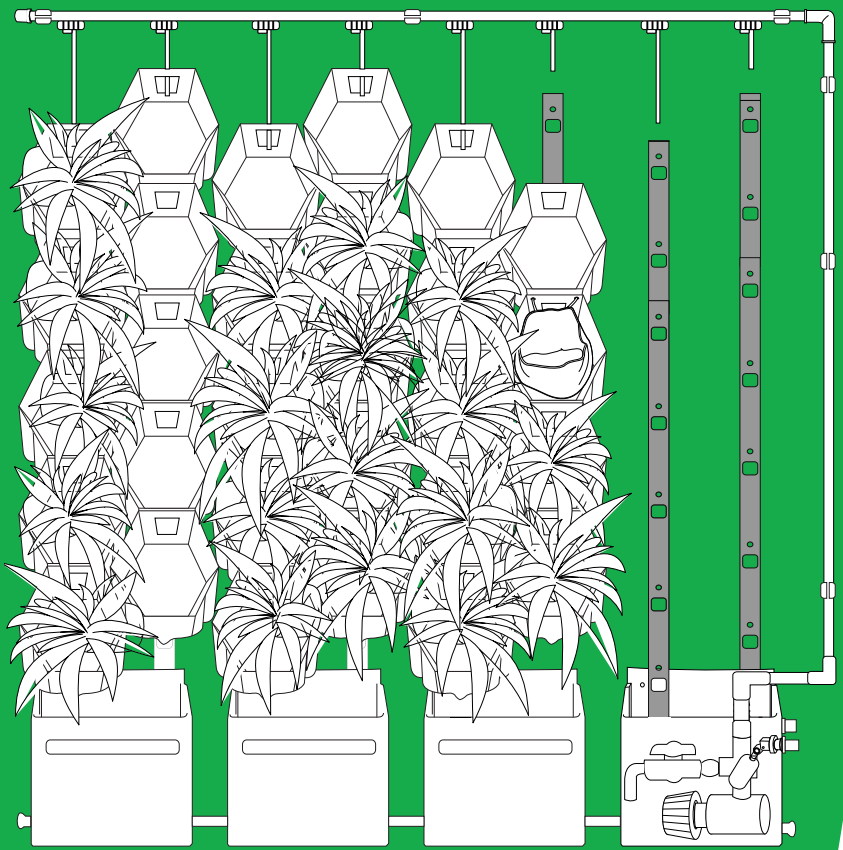
Process Comments

Use pilot holes provided on tanks to install the bottom screw on each rail.



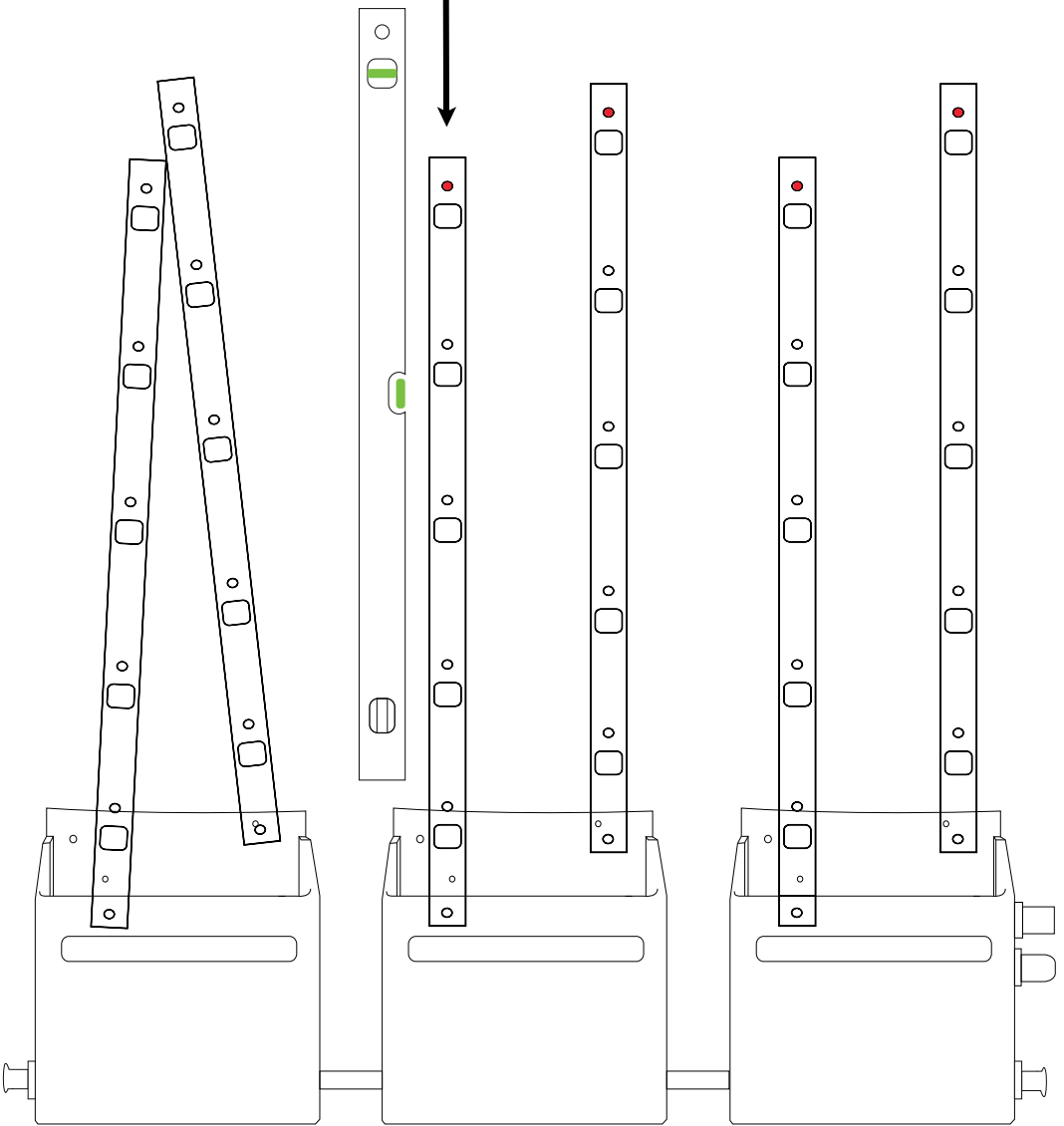
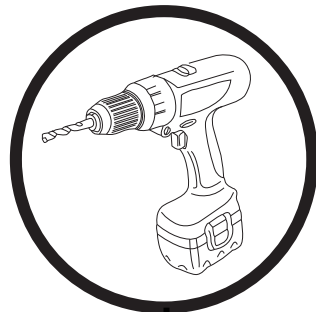
Bottom

Step 6: Level Rails and Secure

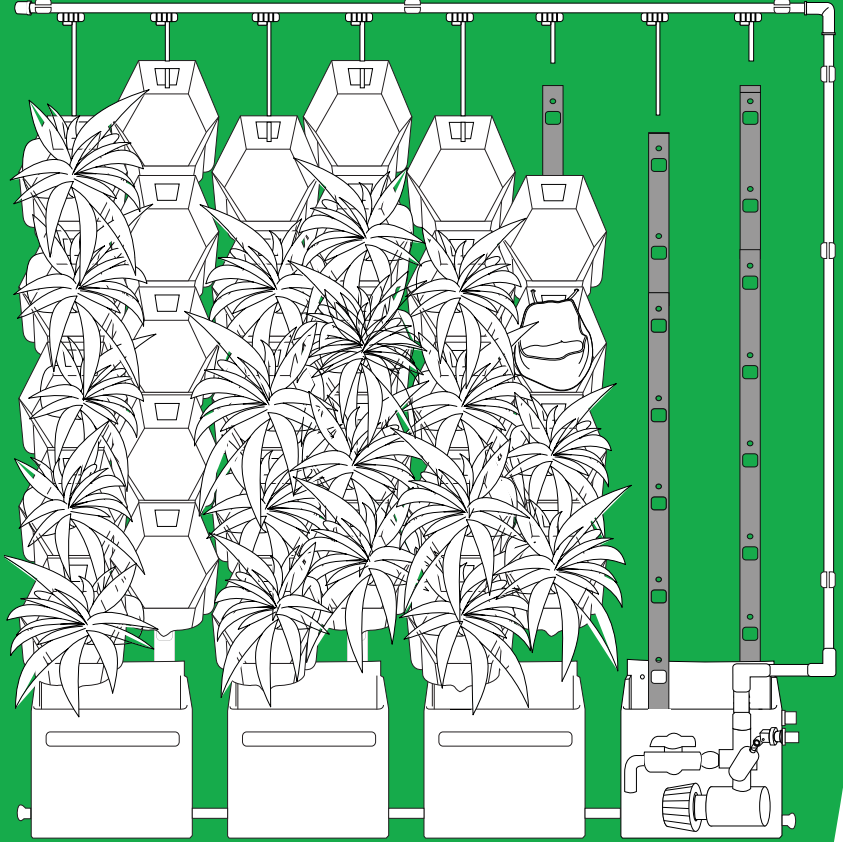


Process Comments

Level rail and install top screw.

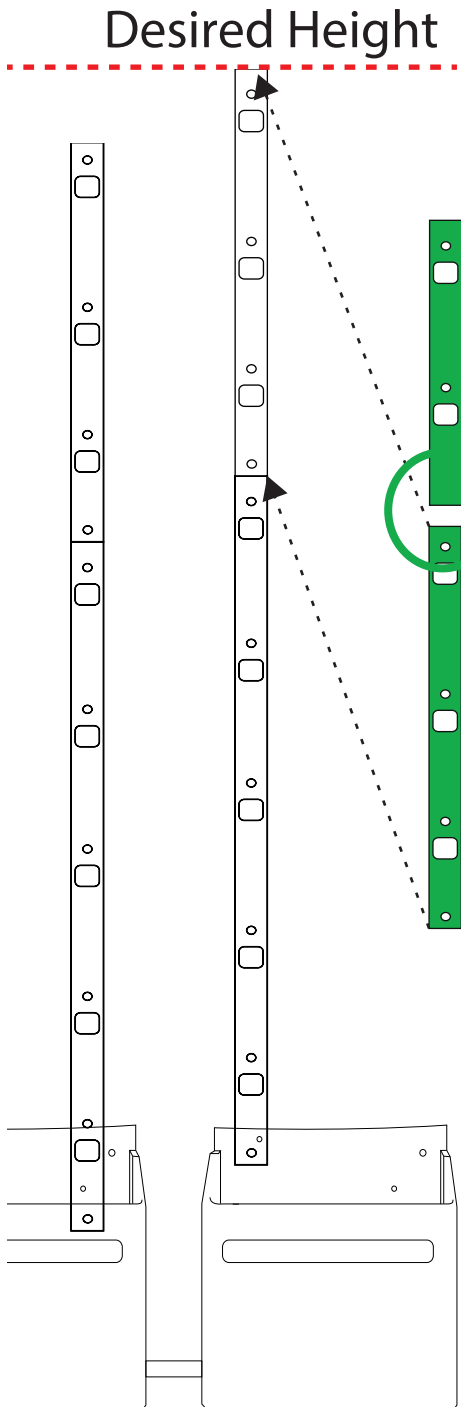


Step 7: Stack and Cut Rails



Process Comments

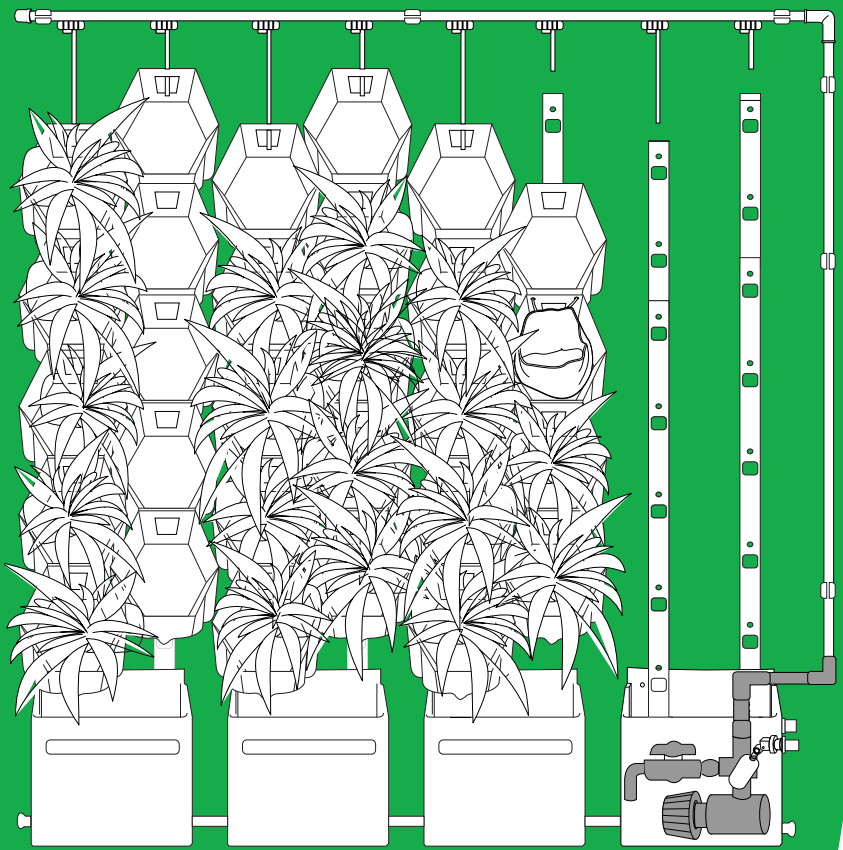
Cut rail on notch provided to fit desired height.



TIP! Retain off-cuts for use at the end of the installation.

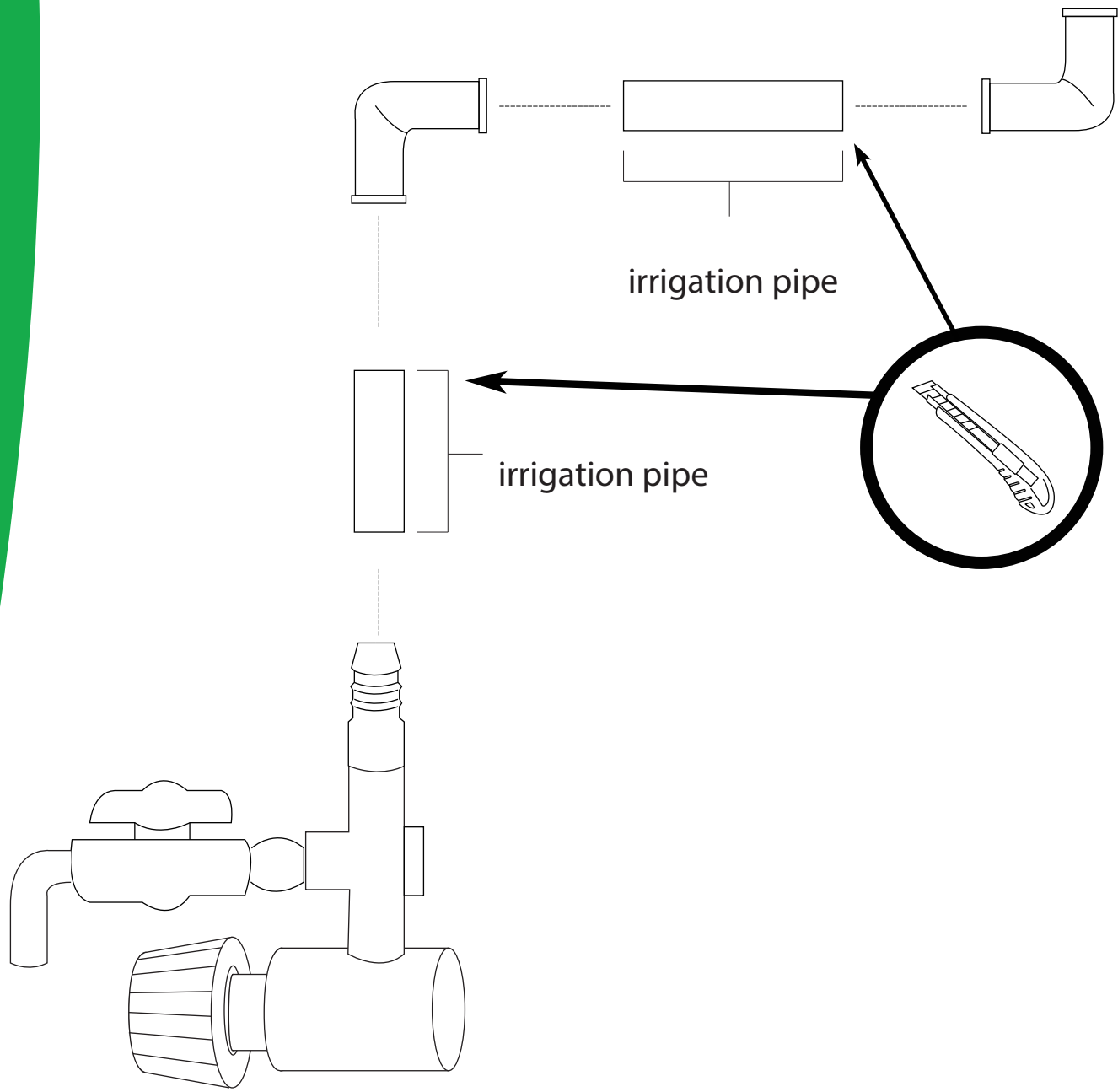
TIP!

Step 8: Pump Assembly

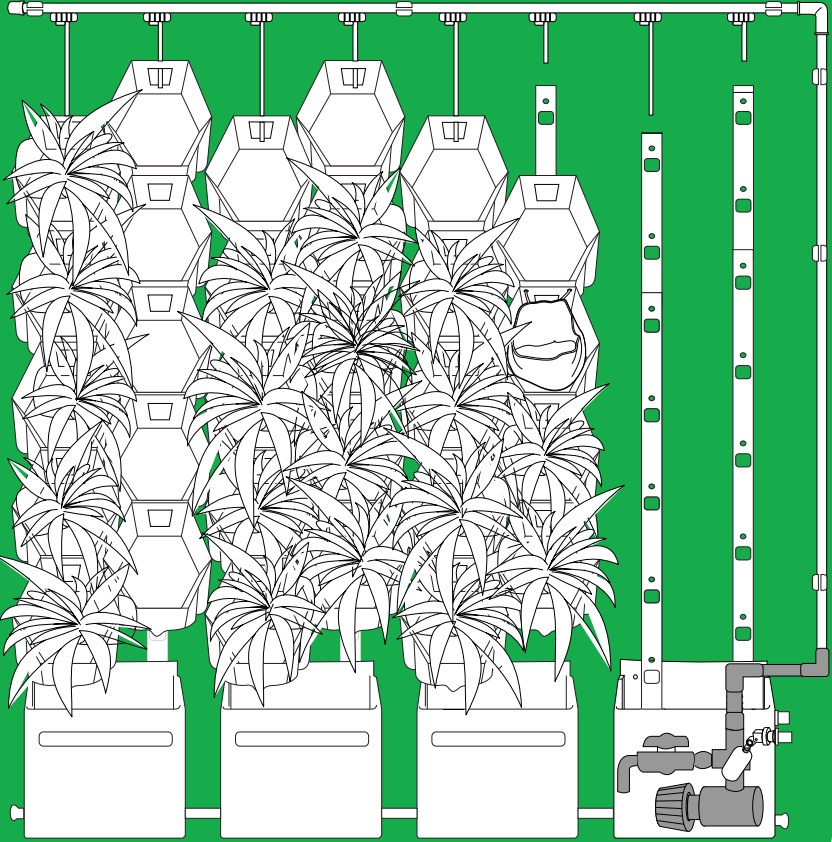


Process Comments

Attach first section of irrigation pipe to pump as shown.

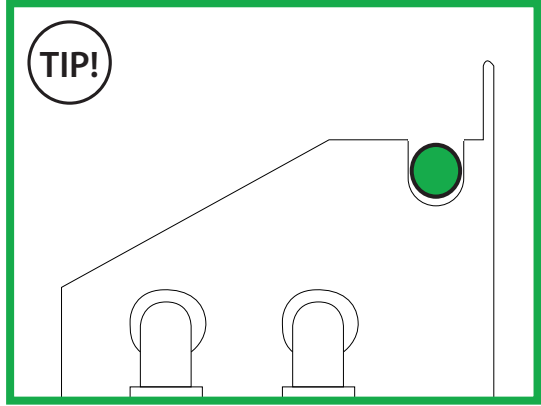
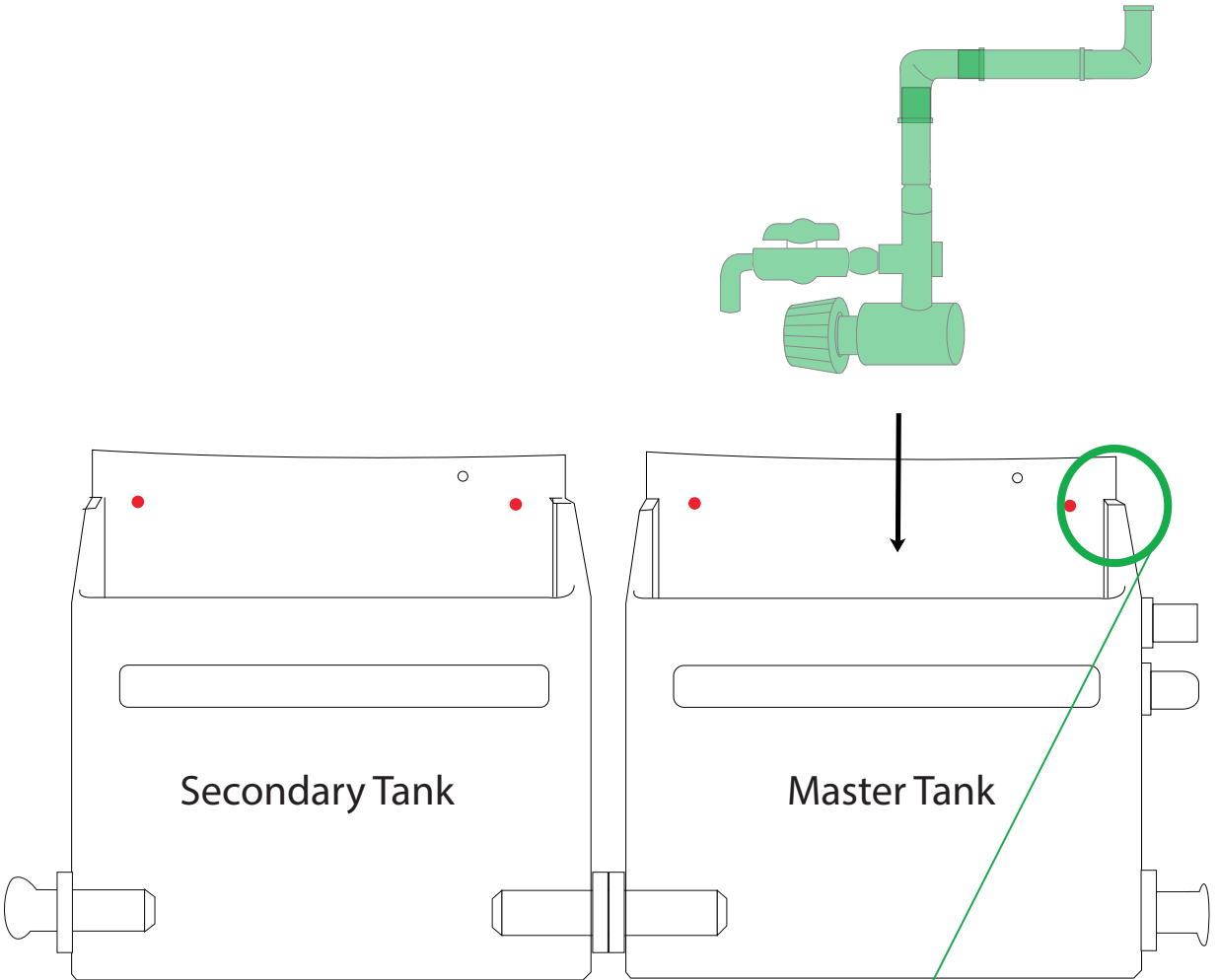


Step 9: Pump Installation

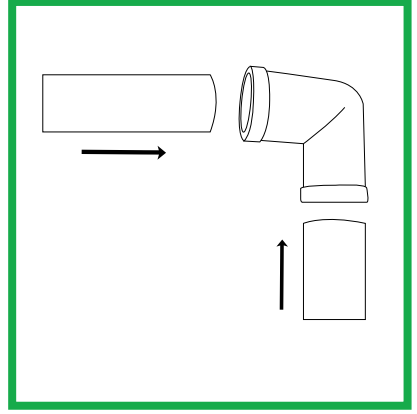
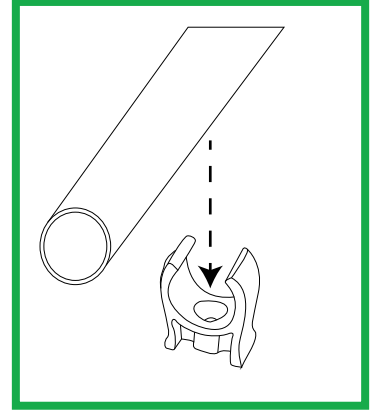
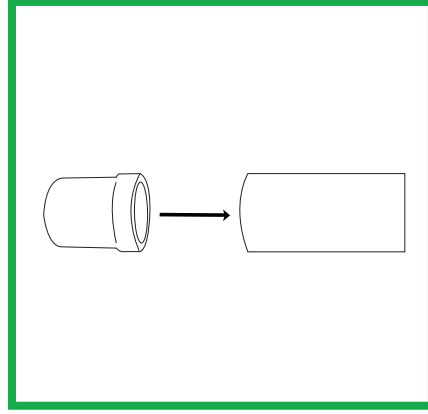
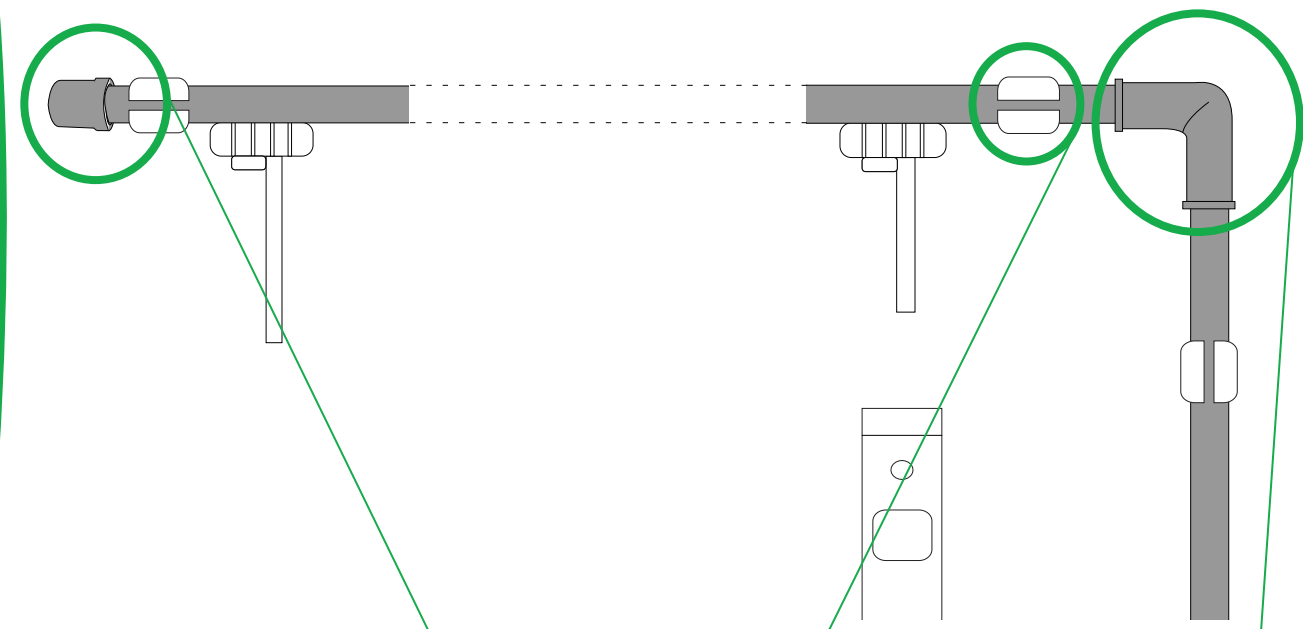
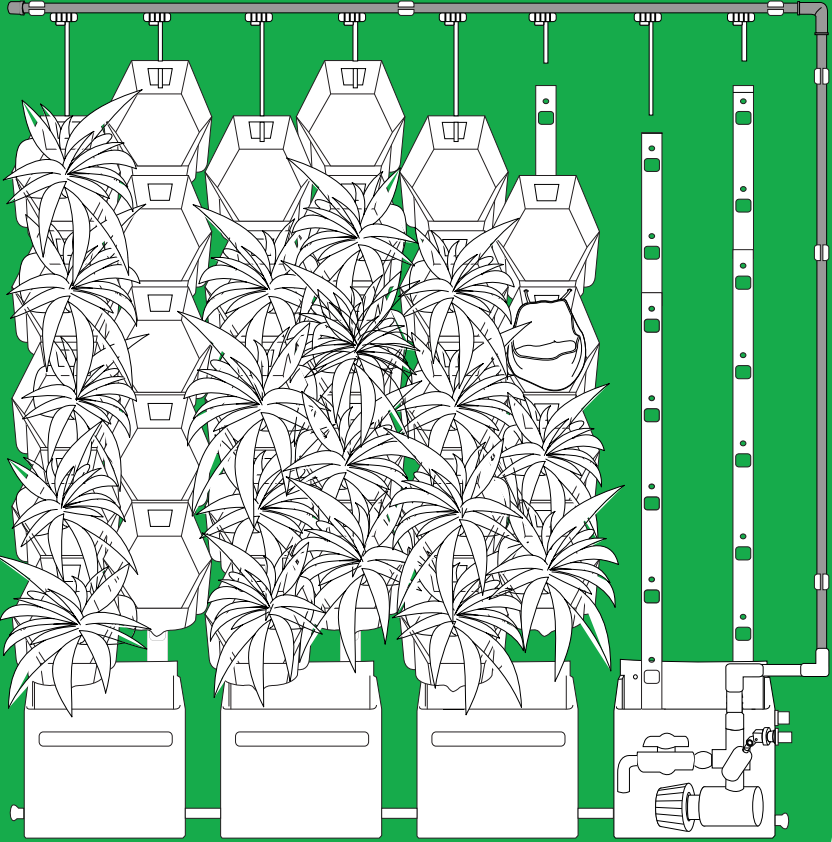


Process Comments

Place assembled pump into master tank.
Place irrigation pipe through notch provided in the master tank.



Step 10: Install Irrigation Pipe

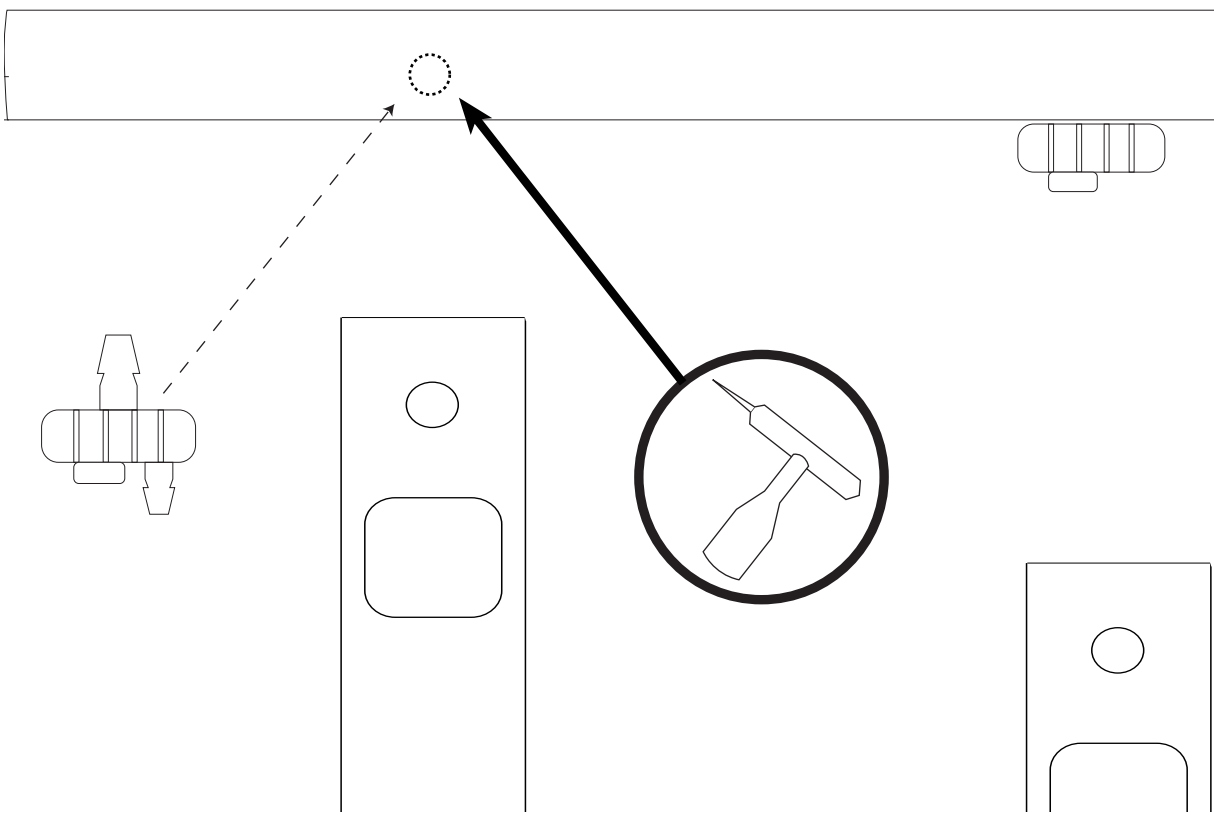
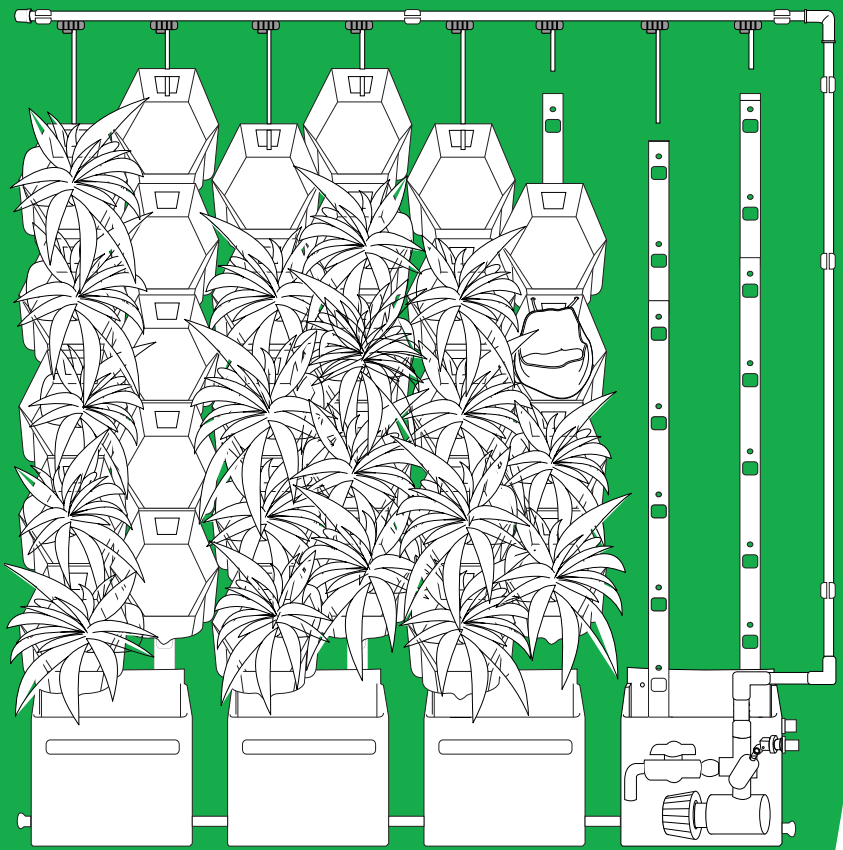


Process Comments

Install irrigation pipe using pipe clips to secure to the wall. Use the pipe connectors provided to join the pipe.

TIP! **X** **✓** **X** Do not install pipe clips directly above rails as they interfere with the drippers.

Step 11: Install Drippers

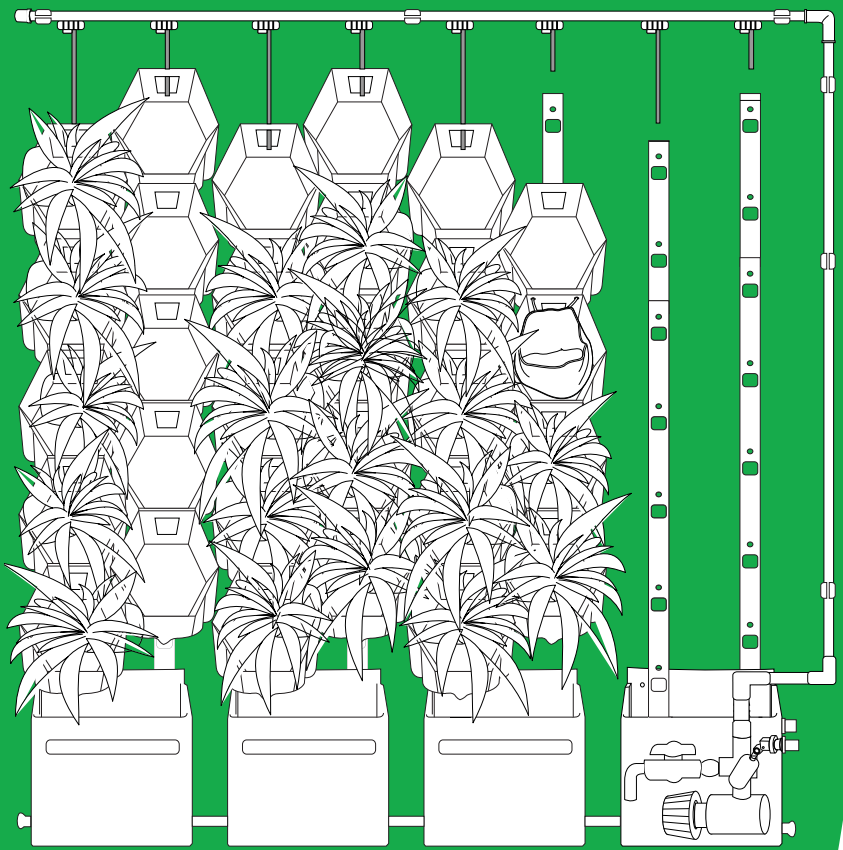


Process Comments

Punch hole in pipe above rail. Insert dripper and make sure dripper is at a 45° downward angle.

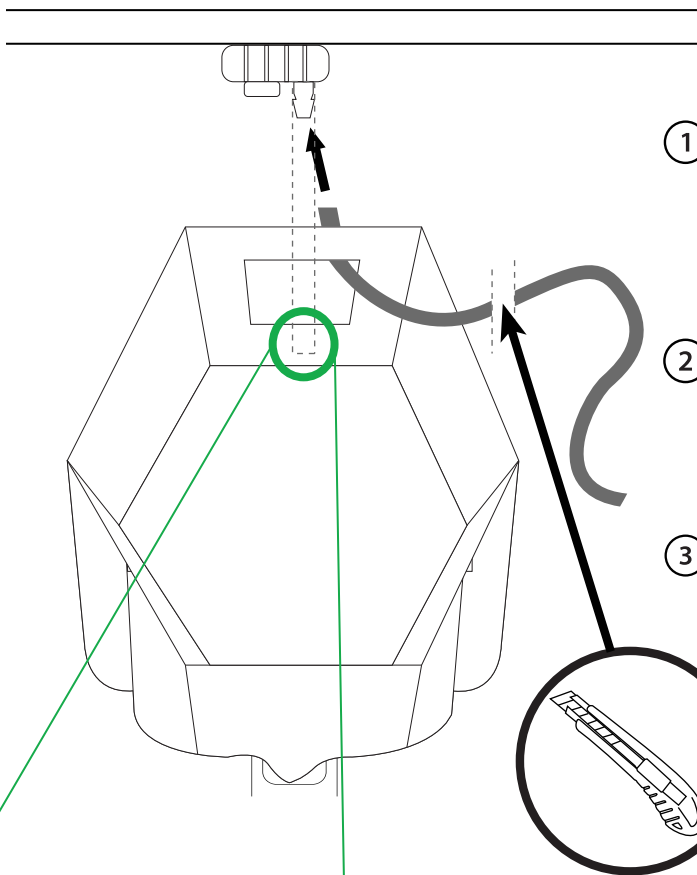
TIP!

Step 12: Extend Drippers

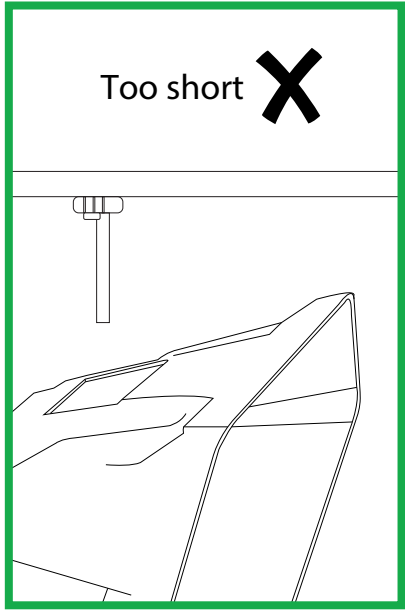
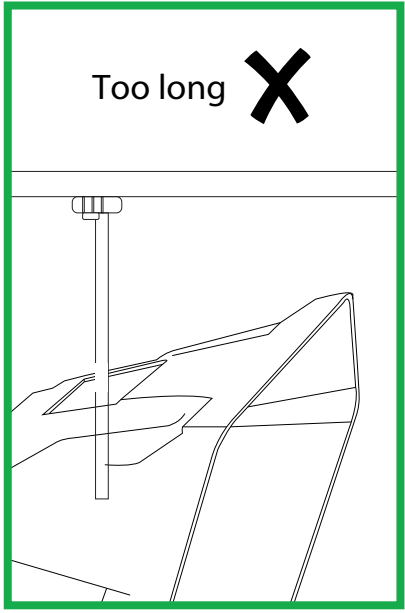
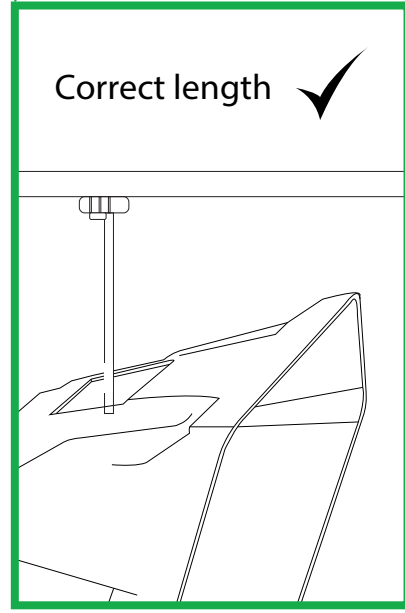


Process Comments

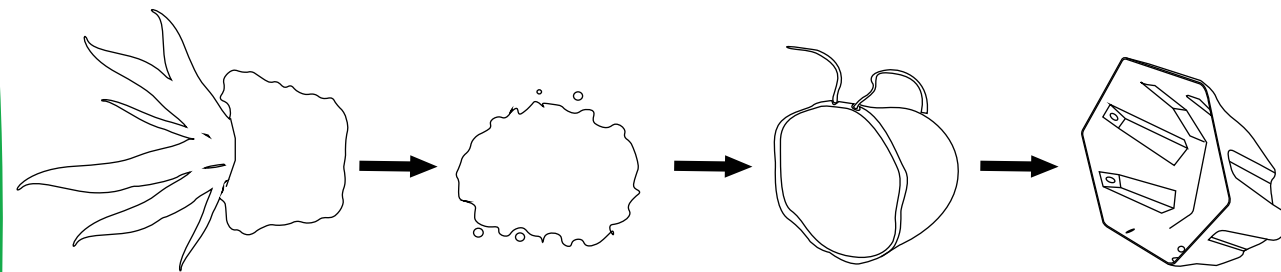
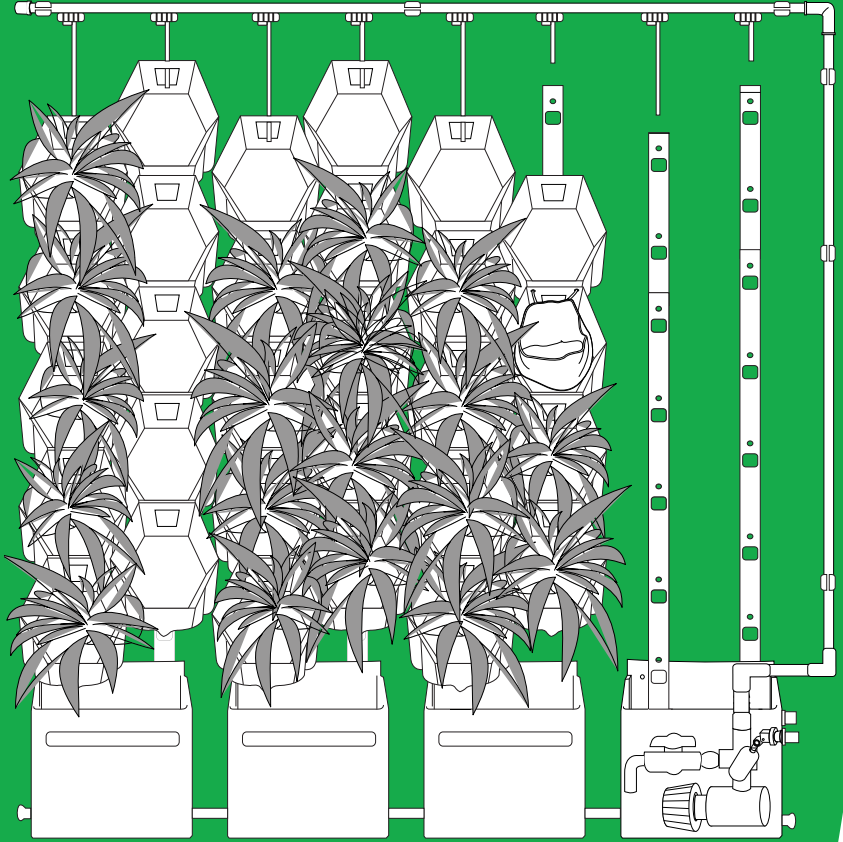
Extend dripper and insert into pot.



- ① Feed dripper extension pipe through the pot opening. Press onto dripper nozzle.
- ② Cut dripper extension pipe from inside the pot.
- ③ Ensure pipe is long enough to remain within the pot opening.

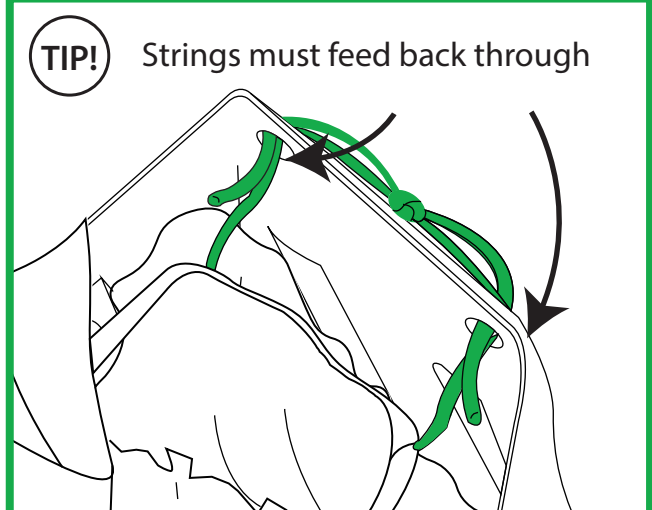
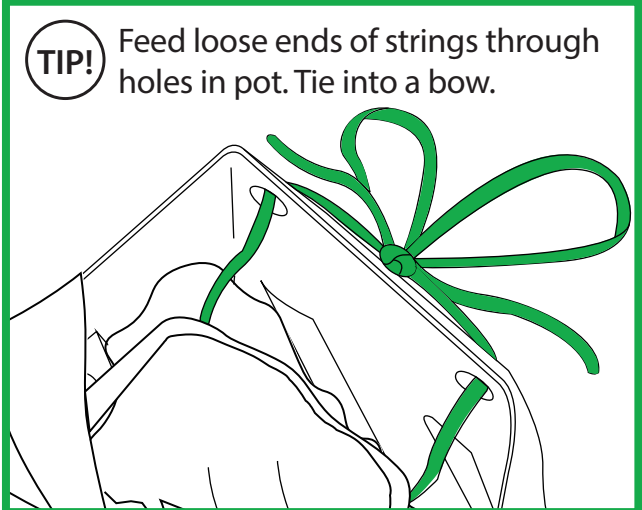


Step 13: Planting of Pots

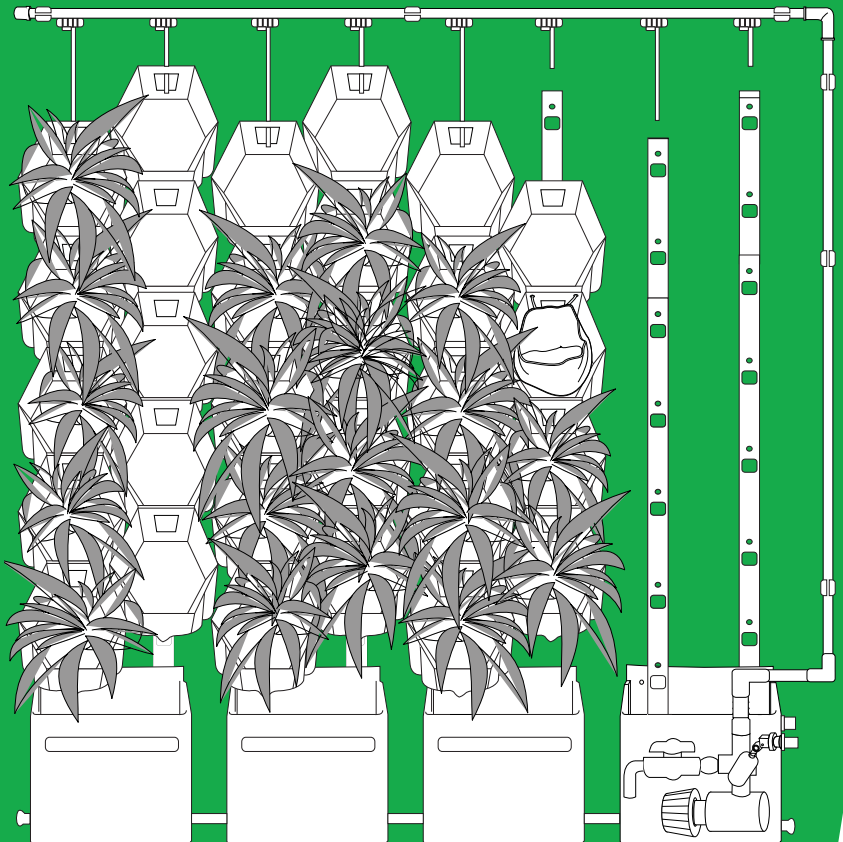


Process Comments

Transplant from grow pot to the planter bag. Tie bag into the hex pot.

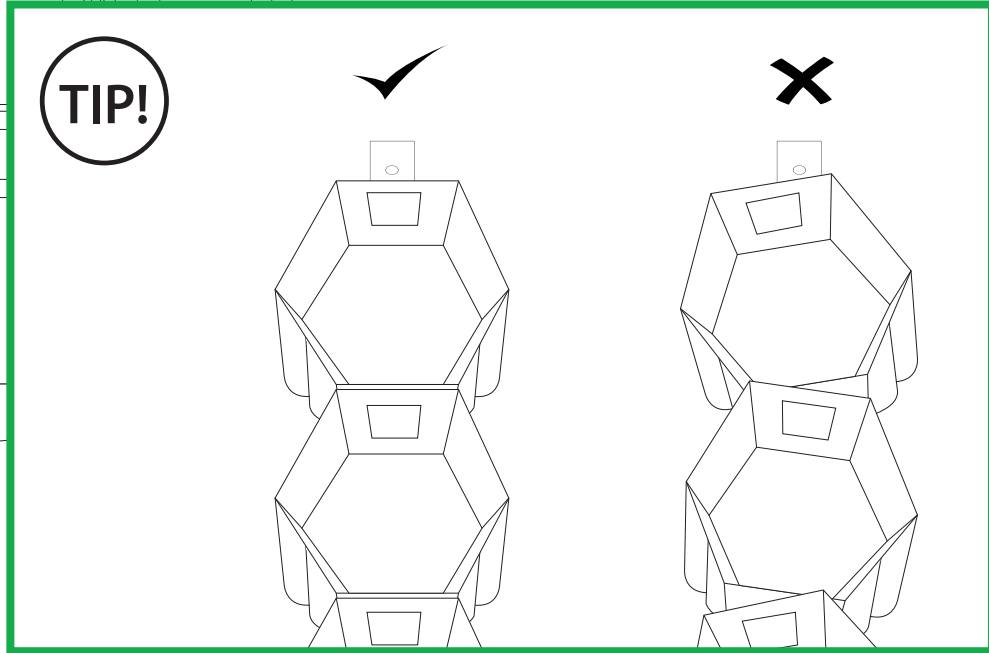
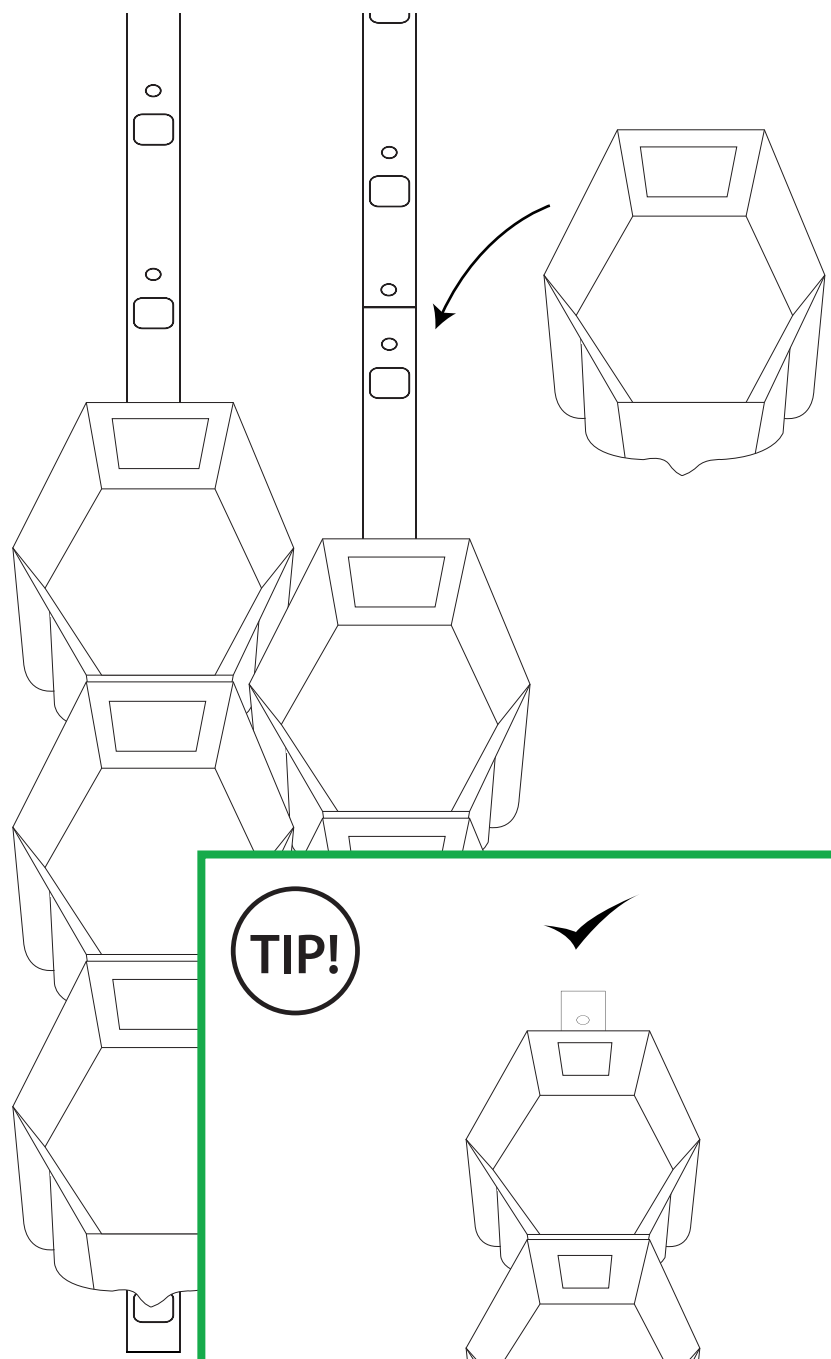


Step 14: Pot Installation

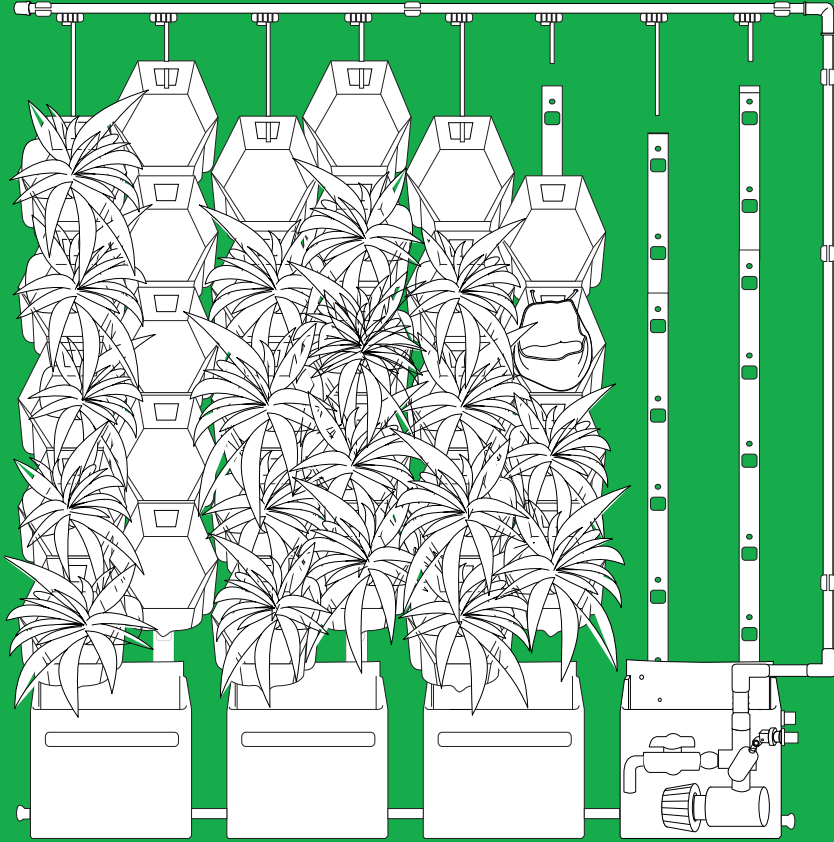


Process Comments

Clip pots onto rails and ensure proper alignment. It is easier to load pots from bottom up.



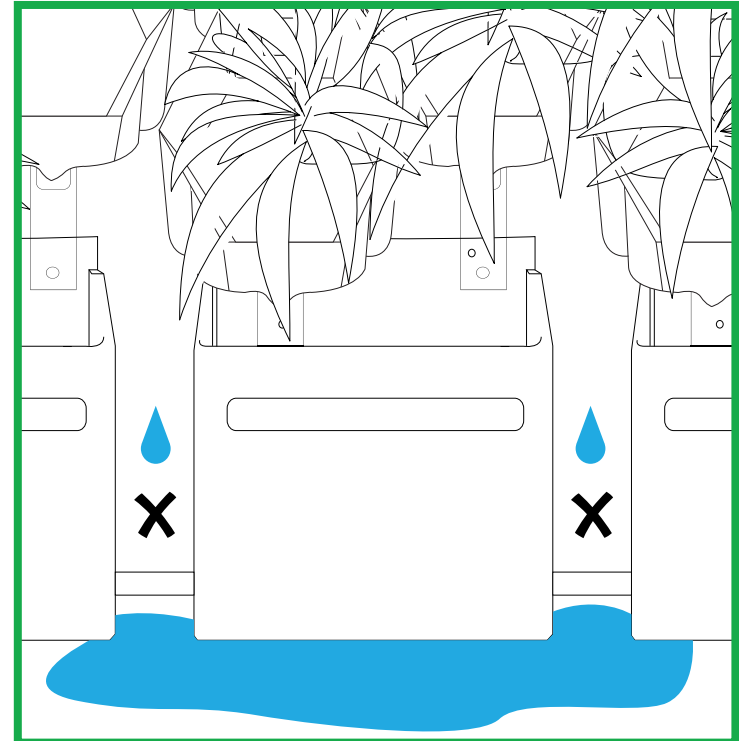
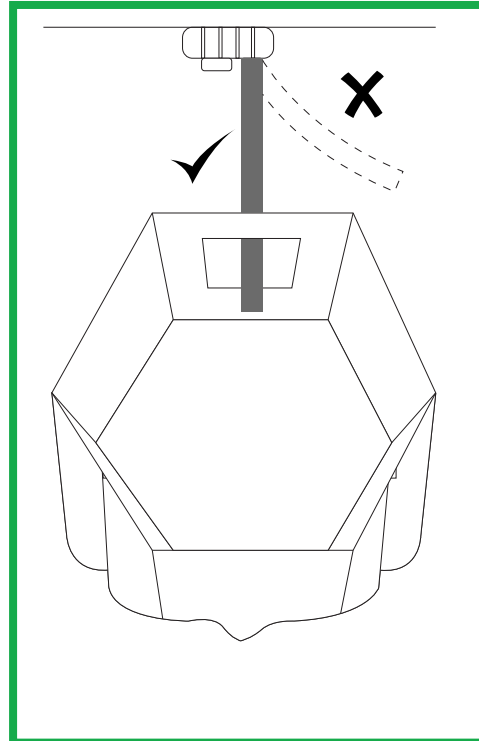
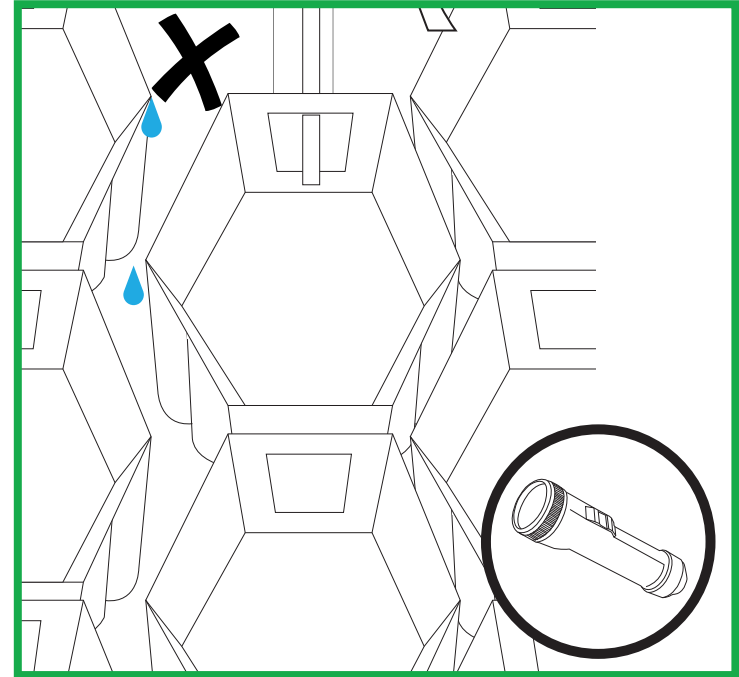
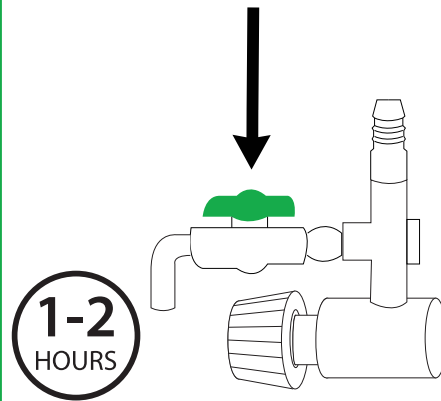
Step 15: Testing Irrigation System



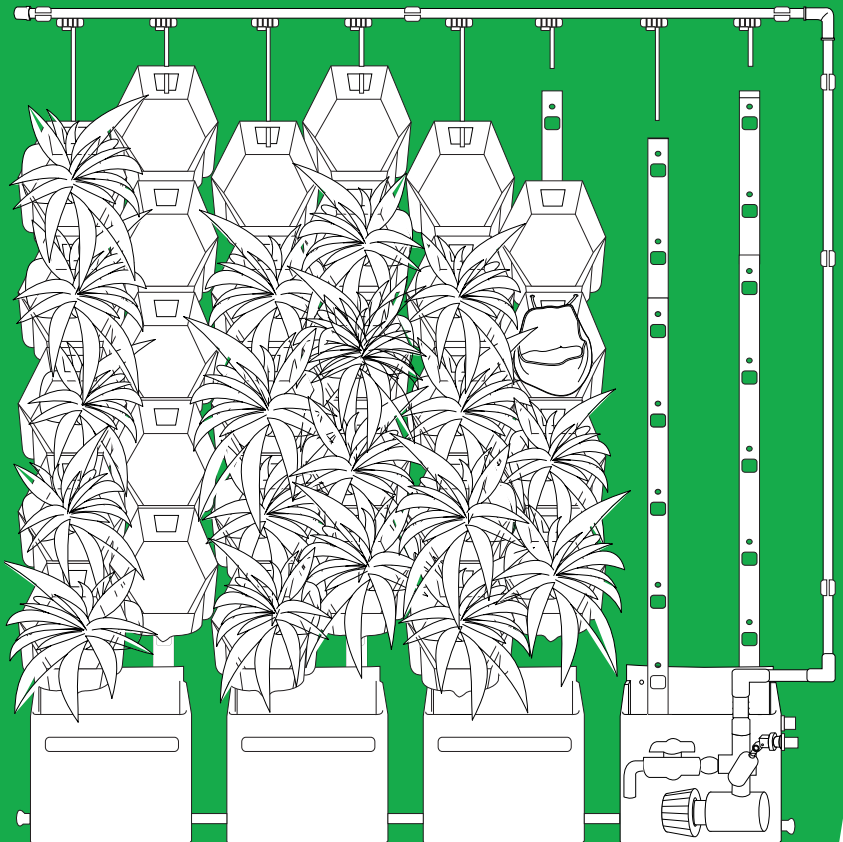
Process Comments

Check drippers are inserted correctly into pots. Test run the irrigation system for 1 -2 hours and observe for leaks.

Turn on pump until drippers all flowing. See manufacturer's instructions.

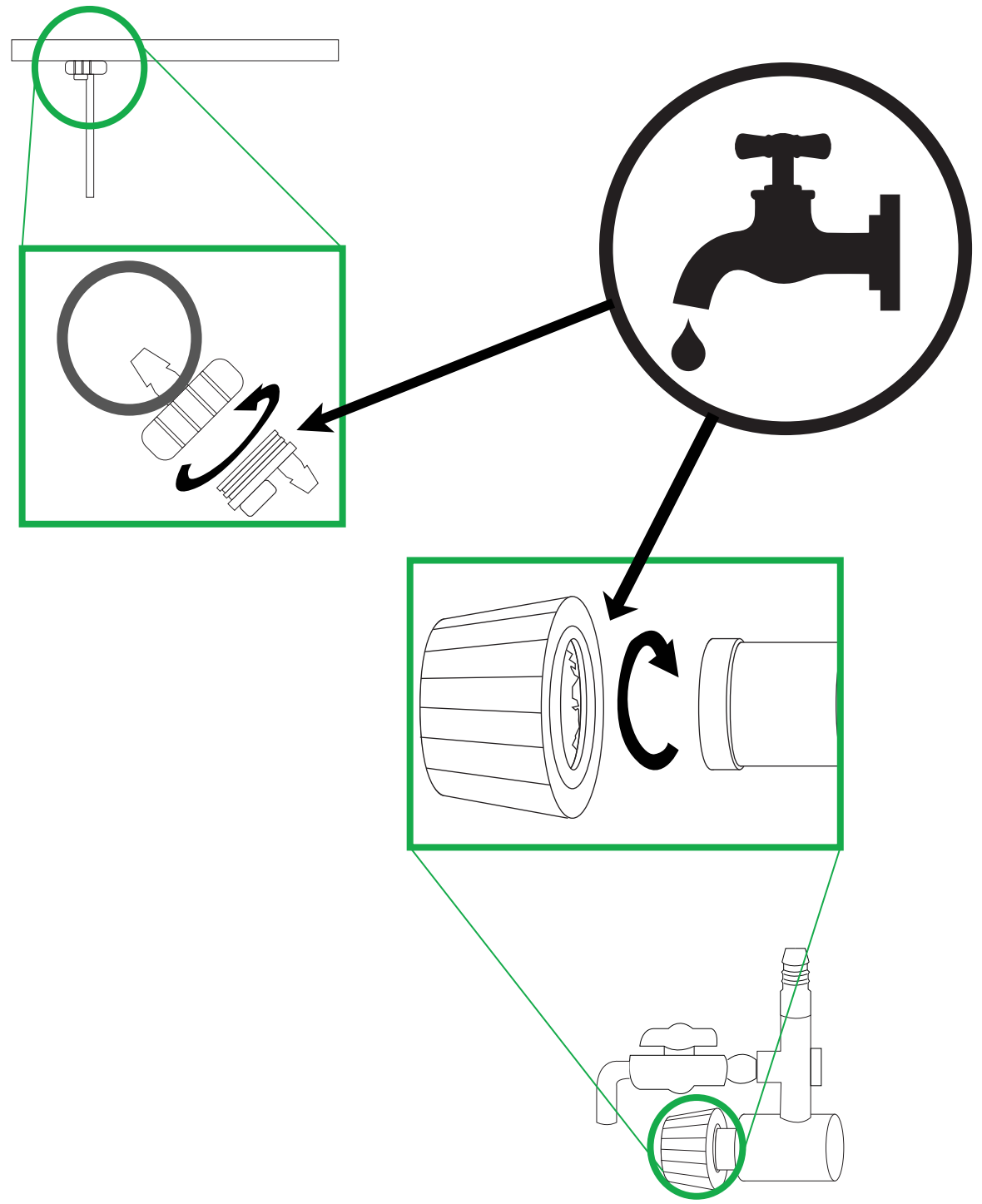


Step 16: Routine Maintenance

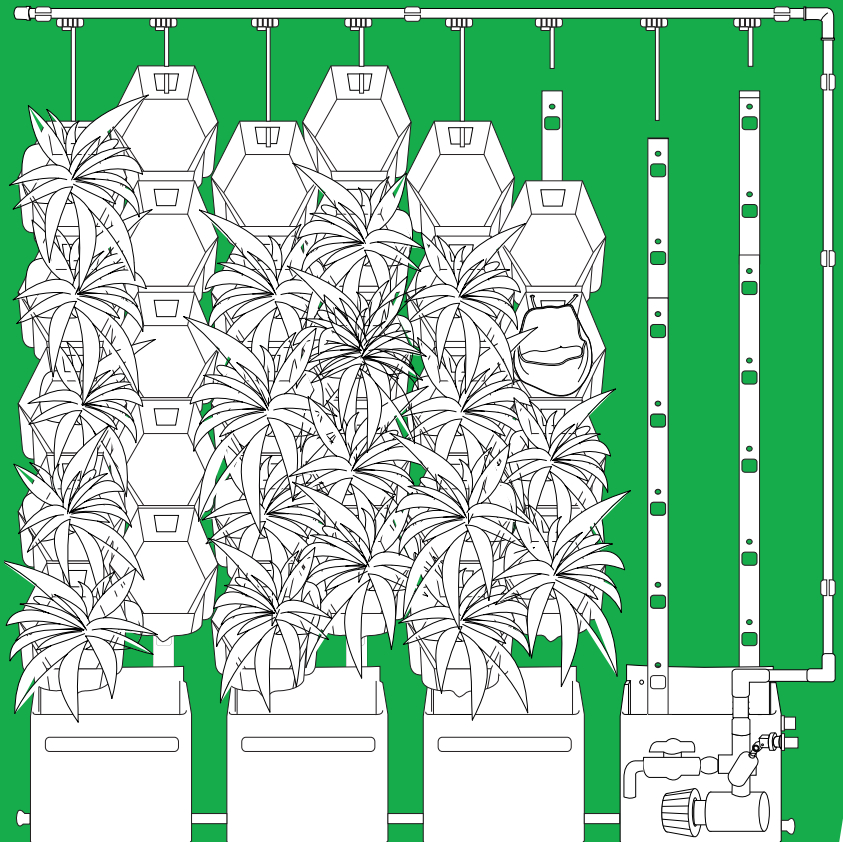


Process Comments:

Remove dripper and pump filter as shown.
Clean and re-attach.



Step 17: Tank Maintenance

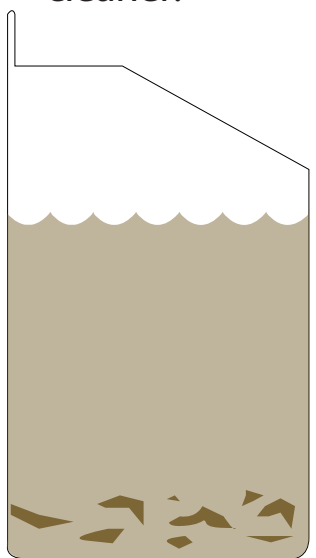


Process Comments:

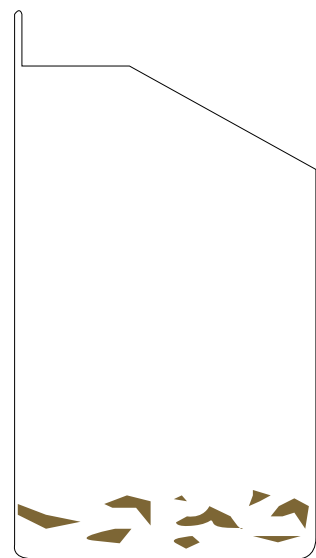
Drain the tanks and wipe down and clean.
Refill with fresh water.



① Drain water using a wet vacuum cleaner.



② Clean out all dirt and debris.



③ Refill tanks.

