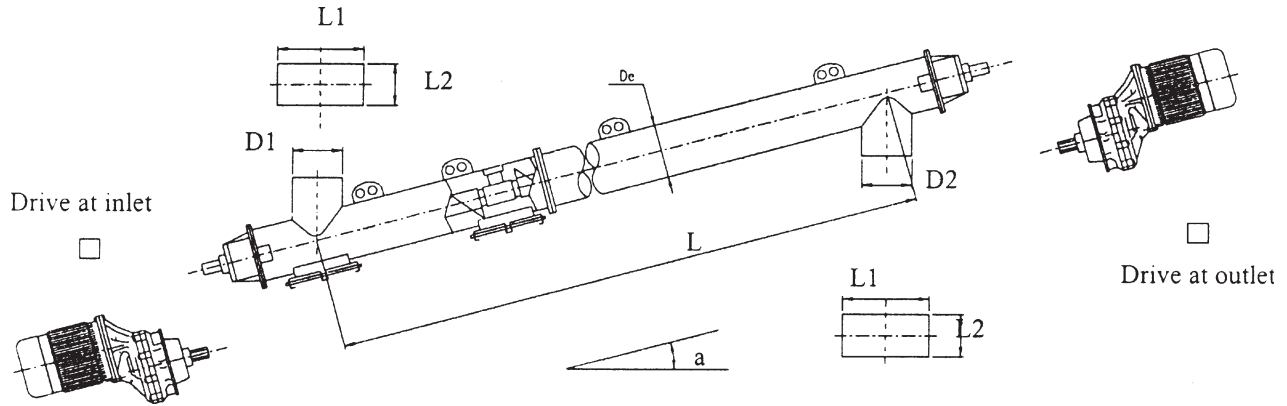


# ES - TUBULAR CEMENT SCREWS CONVEYORS INQUIRY FORM

*Please fill out and return to iwi to begin quotation process.*



INSTALLATION / DIMENSIONS	
Conveyor's Diameter <b>De</b> = .....	
Length (Center inlet to center outlet) <b>L</b> = .....	
Angle of Inclination <b>a</b> = .....	
Inlet Diameter (Circular) <b>D1</b> = .....	
Outlet Diameter (Circular) <b>D2</b> = .....	
OPTIONAL INLETS & OUTLETS	
Inlet Swivel Spout.....	<input type="checkbox"/>
Inlet Swivel Spout Diameter.....	
Outlet Swivel Spout.....	<input type="checkbox"/>
Outlet Swivel Spout Diameter.....	
Square Inlet (Dimensions: L1 x L2).....	
Square Outlet (Dimensions: L1 x L2).....	
OPERATION	
Indoor or outdoor installation.....	
Environmental temperature.....	<b>F</b>
Continuous.....	<input type="checkbox"/>
Intermediate.....	<input type="checkbox"/>
Working hours/day.....	
Working hours/years.....	
Start/stops per hour.....	
SEALS & HANGER BEARINGS	
Special seals	<input type="checkbox"/> *yes <input type="checkbox"/> no
Special hanger bearings	<input type="checkbox"/> *yes <input type="checkbox"/> no
* Specify use	

MATERIAL SPECIFICATIONS	
Extracting - Flood Fed.....	<input type="checkbox"/>
Conveying - Controlled Fed.....	<input type="checkbox"/>
Product.....	
Bulk density.....	Lbs/CF
Mesh Particle Size.....	
Special characteristics.....	
Product Moisture.....	%
CEMA code.....	
Feed rate.....	Lb/min
Feed rate.....	CF/Hr
MOTOR INFORMATION	
Voltage.....	Cycles..... Hz
NEMA ratings.....	RPM.....
Direct drive.....	<input type="checkbox"/> *yes <input type="checkbox"/> no
DRIVE LOCATION	
Inlet.....	<input type="checkbox"/>
Outlet.....	<input type="checkbox"/>
FINISHING	
Standard.....	1 coat of primer & 1 coat of paint
Color.....	
CONSTRUCTION MATERIAL	
Carbon steel construction.....	<input type="checkbox"/>
Stainless Steel 304 construction (TU only).....	<input type="checkbox"/>

\* APPLICABLE SALES OR USE TAXES TO BE PAID BY THE BUYER  
ALL PRICES SUBJECT TO CHANGE WITHOUT NOTICE