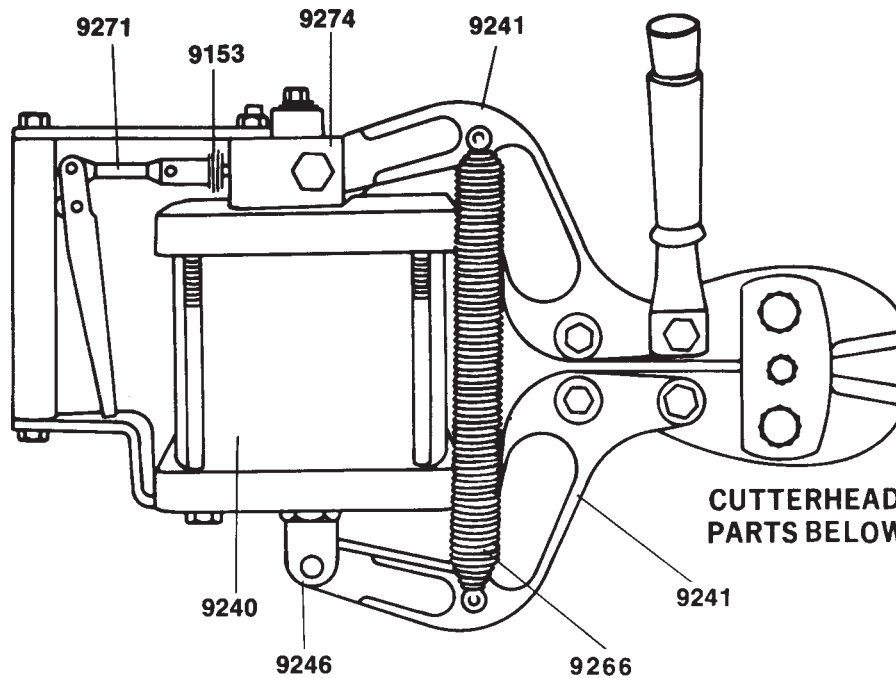


9290 Series Pneumatic Cutters



9232	Bumper Ring
9233	Seal, U-Cup
9234	Gasket
9236	Cap Screw
9237	Rod
9238	Piston
9239	Tube
9240	Cylinder Assy.
9241	Assembly, Arm & Pin
9246	Clevis
9249	Rush Rod
9251	Bracket, Lower
9252	Bracket, Upper
9254	Valve Body
9261	Cap Nut
9262	Bolt
9266	Spring, Extension
9268	Handle, Front
9269	Pin Pivot
9271	Trigger Assy.
9272	Cylinder & Grip Assy.
9274	Valve Body Assy.
1747	Pin, Cotter
2627G	Bolt
2666G	Nut
2666K	Nut
2727	Bolt
2775	Lockwasher
BU0180	Grip Rubber
SM0078	O'ring
330389	O'ring
330703	Plug, Hose Hole

Parts for 9290

Part No.	Description
9147 Grip
9150HK Cap, Valve
9153 Gasket, Valve Cap
9155 Pin, Plunger
9156 Gasket, Valve
9157 Spring, Compression
9158 Plunger, Air Valve
9159 Spring, Plunger
9163 Gasket, Cap Nut

9164	O'ring, Valve Plunger
9165	Screen, Cylinder
9170	Pin, Trigger Link
9173	Valve Plunger Assy.
9224	Lockwasher
9225	Screw, Clevis Adj.
9226	Nut, Clevis Adj. Screw
9227	Stud
9228	Nut, Flexiack
9229	Wiper Ring
9230	Front Head
9231	Rear Head

Repair Kit No. R9290

Consists of:

9153	9229
9156	9233
9163	9234
9164	SM0078
9165	330389

Cutterhead Parts For 9290C

Parts for 9290C

Item No.	Part No.	Description
.....	9213C Cutterhead Complete
.....	9212C Jaws, Pair
.....	0224 Cutterhead less Jaws
1	9210C Jaw, Right
2	9211C Jaw, Left
3	0221 Strap, Bottom
4	0220 Strap, Top
5	0256 Lockplate
6	0236 Bolt Left Thread
7	0257 Screw, Lockplate
8	0235 Bolt, Right Thread

