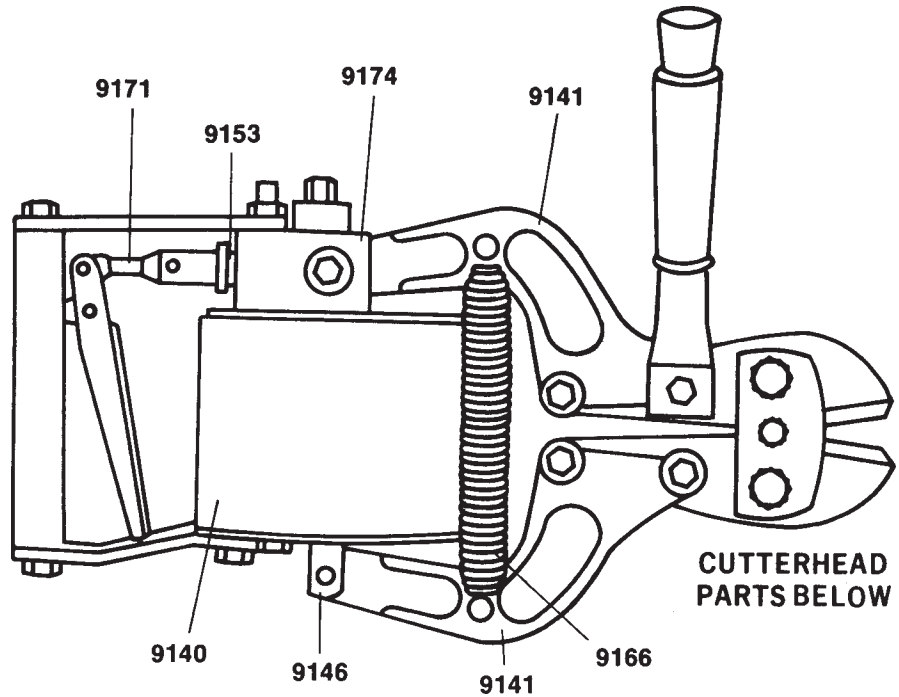


# 9190 Series Pneumatic Cutters

## Parts for 9190

Part No.	Description
9127	Screw, Rod End Set
9128	Screw, Socket Head
9129	Wiper, Rubber
9130	End Cap
9131	Key, Internal Locking
9132S	O' ring, Bumper
9133	Seal Piston
9134	O'ring, Piston Seal
9138	Piston
9139	Cylinder
9140	Cylinder Assembly
9141	Arm & Pin Assembly
9146	Rod End w/9127 Screw
9147	Grip
9149	Rod, Push
9150HK	Cap, Valve
9151	Bracket, Lower
9152	Bracket, Upper
9153	Gasket, Valve Cap
9154S	Valve Body
9155	Pin Plunger
9156	Gasket, Valve
9157	Spring, Compression
9158	Plunger, Air Valve
9159	Spring, Plunger
9162	Bolt Arm Pivot
9163	Gasket, Cap Nut
9164	O'ring, Valve Plunger
9165	Screen, Cylinder
9166	Spring, Extension
9167	Bolt Conn.
9168	Handle, Front
9169	Pin, Lever Pivot
9170	Pin, Trigger Link
9171	Trigger Assembly
9173	Valve Plunger Assy
9174	Valve Body Assy.



9185	Washer, Steel
9186	Screw, Piston Rod
9187	Rod, Piston
9194	Pin
9261	Nut, Cap
1479WM	Washer, Spring
2666K	Nut
330703	Plug, Hose Hole
2727	Bolt
330389	O'ring
BU0180	Grip, Rubber
SM0078	O'ring

## Repair Kit No R9190

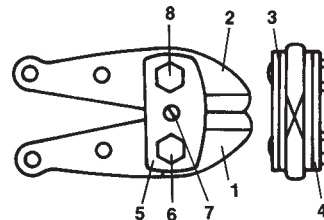
### Consists of:

9128	9156
9129	9163
9132S	9164
9133	9165
9134	SM0078
9153	330389

# Cutterhead Parts For 9190C

## Parts for 9190C

Item No.	Part No.	Description
.....	9113C	Cutterhead Complete
.....	9112C	Jaws, Pair
.....	0124	Cutterhead less Jaws
1	9110C	Jaw, Right
2	9111C	Jaw, Left
3	0121	Strap, Bottom
4	0120	Strap, Top
5	0156	Lockplate
6	0136	Bolt, Left Thread
7	0257	Screw, Lockplate
8	0135	Bolt, Right Thread



sales@iwgroup.com  
800-247-2818