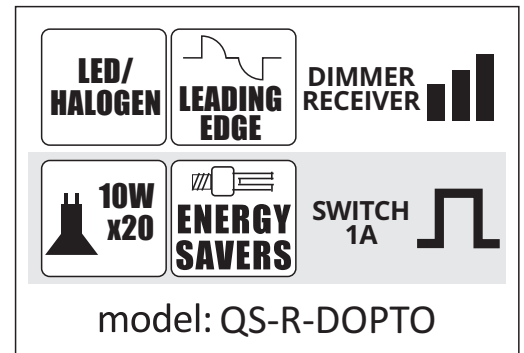
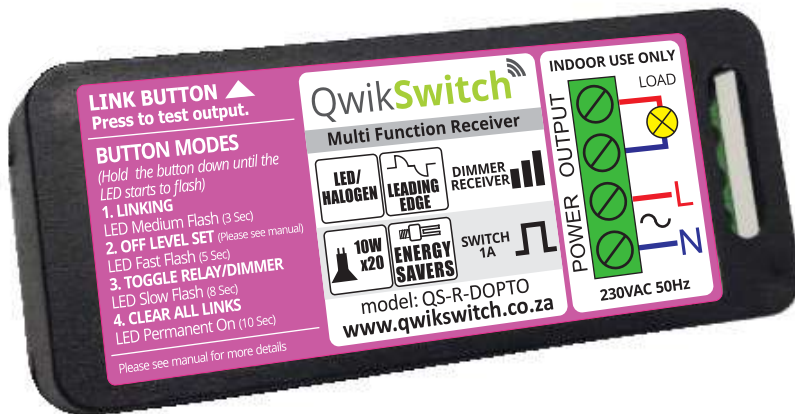


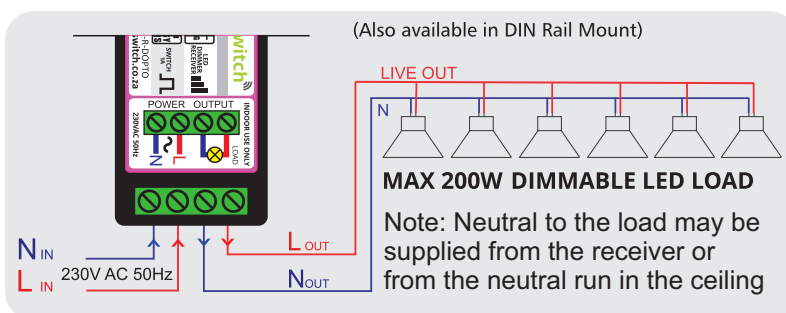
Dimming or ON/OFF in one unit!



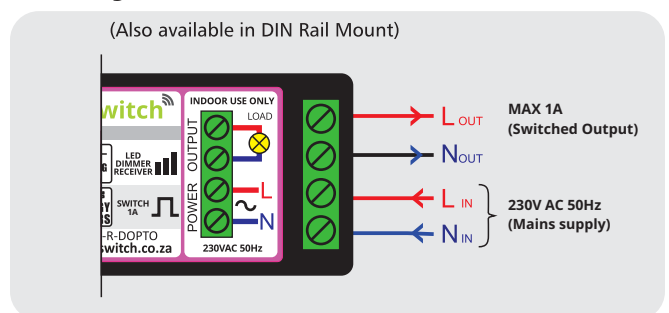
Features

- QS-R-DOPTO is the most popular unit in the QwikSwitch Range, having the ability to change to a dimmer or a relay receiver.
- Default Mode: 200W LED Dimmer - Mode needs to be set at installation.
- Please consult the QwikSwitch Website for a list of tested compatible LED's.
- This device is controllable from the WiFi Bridge (QS-WIFI-BRIDGE) remotely
 - Set schedules - Turn on / off devices - Device Status
- Not to be used for CFL Dimming - Can switch CFL ON/OFF (Relay Mode)

Dimmer

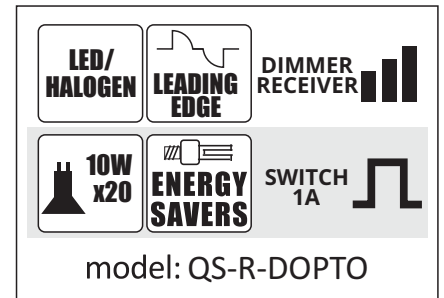


Relay



Specifications

- Input - 230 Vac, 50Hz
- Max Output - 1A (Relay Mode) / 200W (Dimmer Mode)
- Form Factor - Moulded casing - 86mm (L) x 36mm (W) x 29mm (H)
- Radio Frequency - 868 Mhz
- Range - 30m through walls and floors, 100m line of sight.
- Repeaters (QS-T-REP) available if needed.



Mode 1: Linking to a transmitter.

Hold the "Link" button for approximately 3 seconds or until the LED starts flashing (medium rate), then press the desired transmitter button to be linked. Confirmation of linking will be indicated with 3 flashes.

Mode 2: Set OFF level (LED dimming stop/off level)

Note 1: Mode 2 setting is only required when using the unit to dim an LED load, this allows you to stop and switch off the LED dimming at a level higher than 0.

Note 2: Before changing Mode 2, first ensure that you have set the unit to be a dimmer (as per Mode 3 explanation)

Note 3: Before changing Mode 2, first link the unit to a transmitter (as per Mode 1 explanation)

Action:

- 1: Set the light level that you require the LED to switch off at, using the linked transmitter.
- 2: Hold the "Link" button for approximately 5 seconds or until the LED flashes at a fast rate, then release the button.
- 3: To clear this level and reset it to "0", repeat step 2.

Mode 3: Choose between Relay (ON/OFF) and DIM mode.

- 1: Hold the button for approximately 8 seconds or until the LED flashes at a slow rate, then release the button. The unit will now change mode from ON/OFF to DIM mode or vice-versa.
- 2: Repeat step 1 to revert to the alternate mode. (DIM changes to ON/OFF & ON/OFF changes to DIM)

Mode 4: Clear all settings and reset to default mode.

Default (DIM mode, no transmitter links, dimming to "0" level)

Hold the button for approximately 10 seconds or until the LED is permanently on, then release the button. All settings will now be cleared and returned to default.

Please note: If the mode is changed between DIM and ON/OFF, the device will need to be deleted and then re-added to the app or online interface.