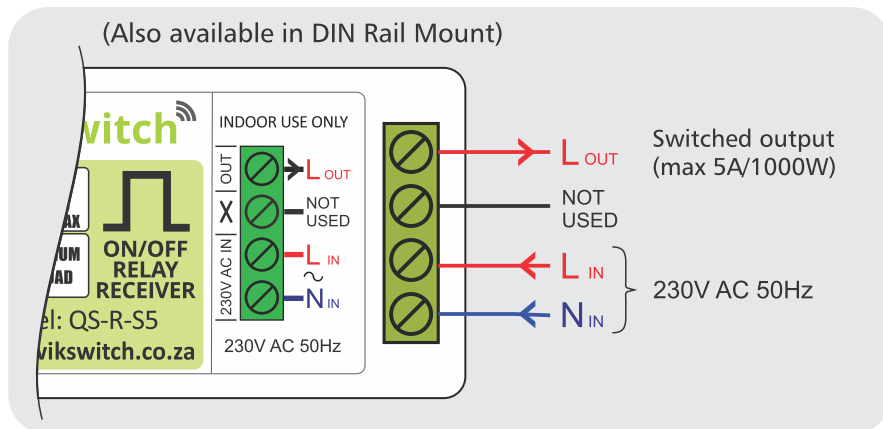


### Features

- The QS-R-S5 Relay is the most popular device in the QwikSwitch range as it allows you to control anything, not just lighting eg. Geyser, Bathroom Fan etc.
- Please note that there are bigger relay contacts available in 30A, if needed please contact your closest QwikSwitch representative.
- This device is controllable from the WiFi Bridge (QS-WIFI-BRIDGE) remotely
  - Set schedules
  - Turn on / off devices
  - Device Status

### Wiring Diagram



**LOAD TYPES**

Resistive: Edison Bulb  
 Inductive: Motor  
 Capacitive: Pool pump

*for inductive or capacitive loads, please use the 30A Relay (QS-R-S30)*

### Specifications

- Input supply - 220Vac, 50Hz
- Output - 220 Vac, 50Hz
- Load - 1Kw Resistive load (5A)
- Form factor - moulded casing - 86mm (L) x 36mm (W) x 29mm (H)
- Radio frequency - 868MHz
- Range - 30m through walls and floors, 100m line of sight. Repeaters (QS-T-REP) available if needed