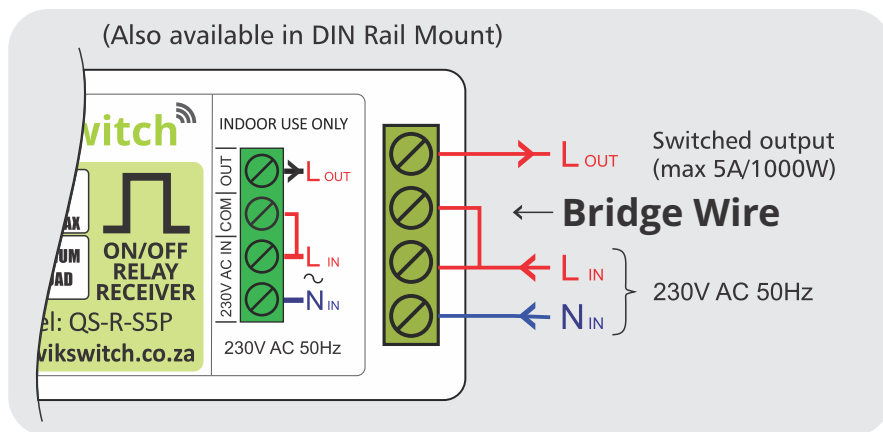


### Features

- The QS-R-S5P Relay is used for a variety of products that include garage doors, gate motors strike locks etc.
- By supplying a brief output pulse you are able to open & close certain electronic access control.
- Potential free output (this means you can switch AC or DC voltage and any voltage eg. 220VAC, 12VDC, 24VDC, 36VDC etc.

### Wiring Diagram



### Specifications

- Input supply - 220Vac, 50Hz.
- Output - 220 Vac, 50Hz - 200ms or 1sec pulse.
- Load - 1Kw Resistive load (5A).
- Form factor - moulded casing - 86mm (L) x 36mm (W) x 29mm (H).
- Radio frequency - 868MHz.
- Range - 30m through walls and floors, 100m line of sight. Repeaters (QS-T-REP) available if needed.