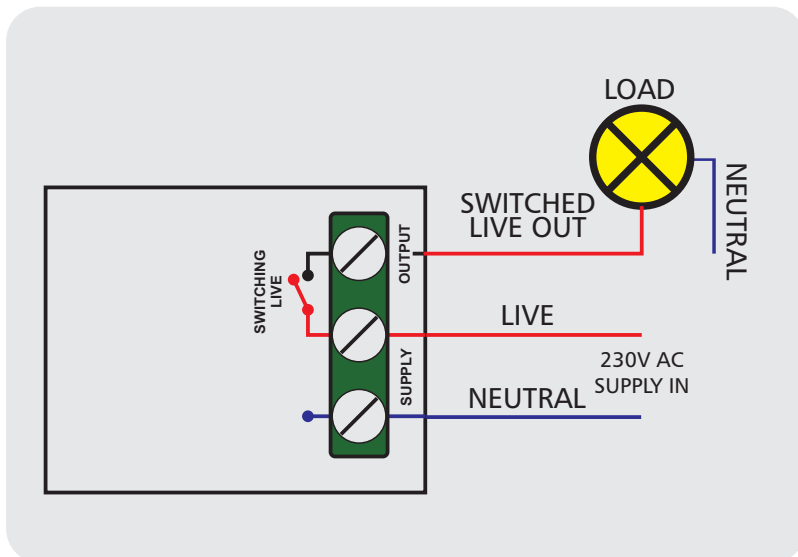




Features

- Used for Residential, Commercial and Industrial applications
- Used to switch any load On or Off
- This device is controllable from the WiFi Bridge (QS-WIFI-BRIDGE) remotely
 - Set schedules
 - Turn on / off devices
 - Device Status

Wiring Diagram



LOAD TYPES

Resistive: Edison Bulb

Inductive: Motor

Capacitive: Pool pump

*for inductive or capacitive loads,
please use the 30A Relay (QS-R-S30)*

Specifications

- Input supply - 220Vac, 50Hz
- Output - 220 Vac, 50Hz
- Load - 5Kw Resistive load (30A) or 1 Kw Inductive load (Motor) 1.5hp
- Form factor - enclosed housing - 90mm (h) x 130mm (W) x 160mm (L)
- IP52
- Radio frequency - 868MHz
- Range - 30m through walls and floors, 100m line of sight. Repeaters (QS-T-REP) available if needed