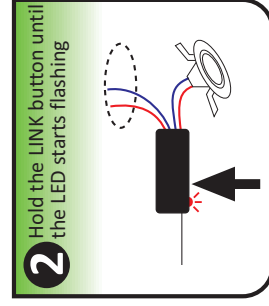




1 Connect the receiver to the lights



2 Hold the LINK button until the LED starts flashing



3 Then press a button on the switch within 25 sec

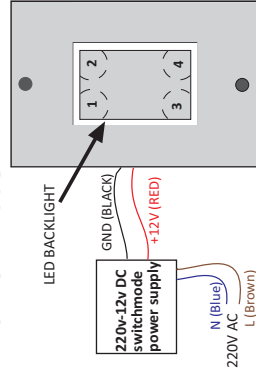
To unlink a button: Repeat steps 2&3.

To clear all links in a Receiver: Hold the Link Button until the LED is ON solid (10 sec) then release.

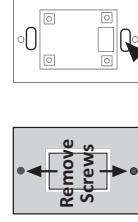
A Receiver can link up to 30 different buttons.

Mounting options: standard 2x4 mounting holes or double-sided tape

Transmitter:



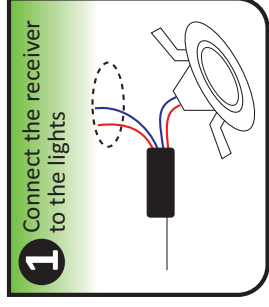
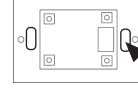
MOUNTING



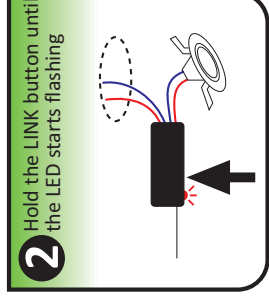
1 Remove Screws
Mount using 6mm screws and wall plugs

Button Operation: 4 Buttons
Press in the marked areas "1,2,3,4"
Press = ON/OFF
Hold = DIM UP/DOWN

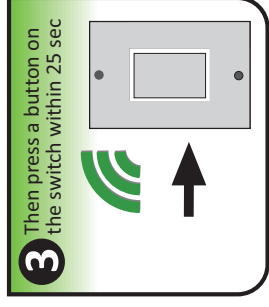
Backlit LED Setup
1 Push and hold the center of the button for 10 seconds. Backlit LED will start flashing.
2 Release the center of the button, the led back-light will cycle through the RGB colours.
3 Press and release any of the corner buttons once the desired colour is displayed.



1 Connect the receiver to the lights



2 Hold the LINK button until the LED starts flashing



3 Then press a button on the switch within 25 sec

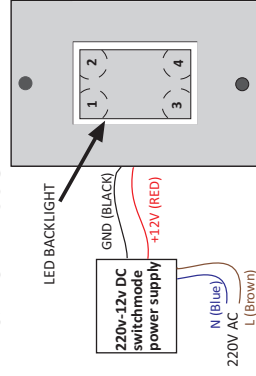
To unlink a button: Repeat steps 2&3.

To clear all links in a Receiver: Hold the Link Button until the LED is ON solid (10 sec) then release.

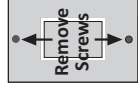
A Receiver can link up to 30 different buttons.

Mounting options: standard 2x4 mounting holes or double-sided tape

Transmitter:



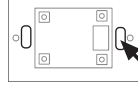
MOUNTING



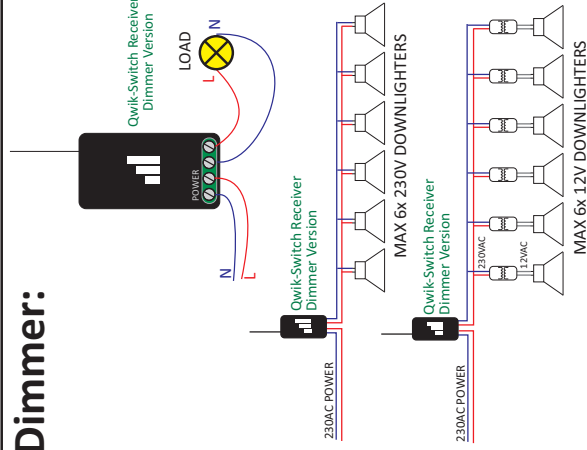
1 Remove Screws
Mount using 6mm screws and wall plugs

Button Operation: 4 Buttons
Press in the marked areas "1,2,3,4"
Press = ON/OFF
Hold = DIM UP/DOWN

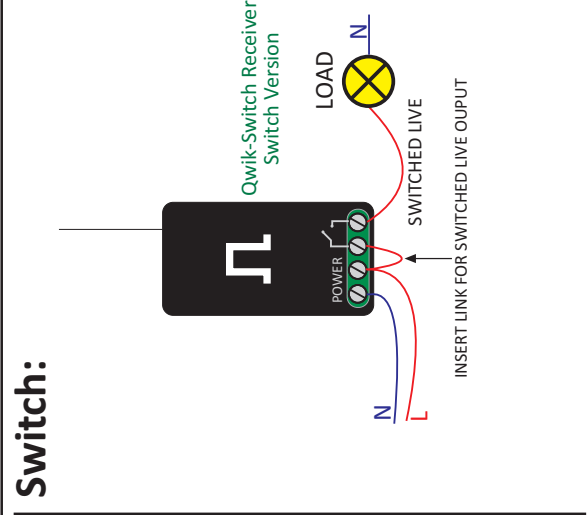
Backlit LED Setup
1 Push and hold the center of the button for 10 seconds. Backlit LED will start flashing.
2 Release the center of the button, the led back-light will cycle through the RGB colours.
3 Press and release any of the corner buttons once the desired colour is displayed.



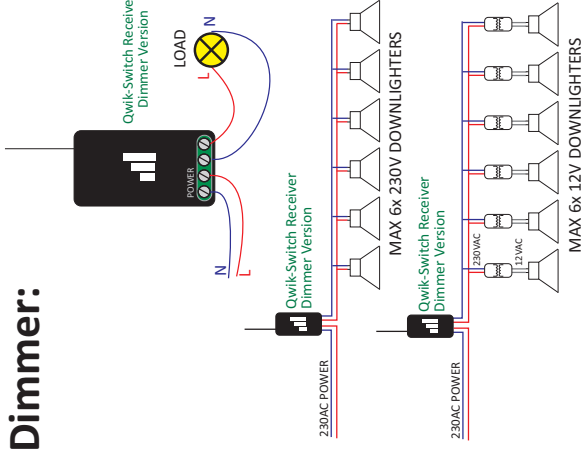
Dimmer:



Switch:



Switch:



Dimmer:

