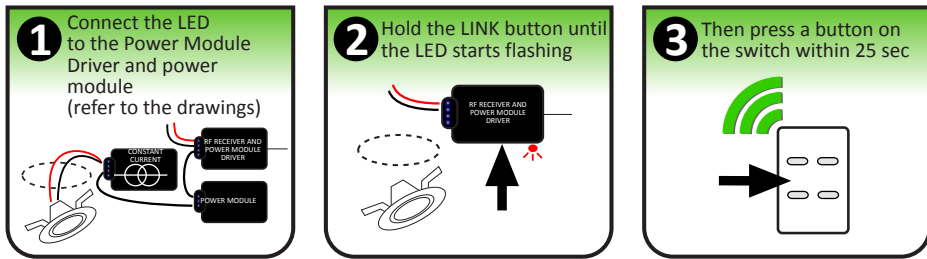
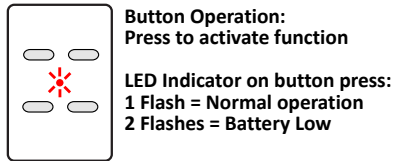


Qwik-Switch LED RF POWER MODULE INSTALLATION

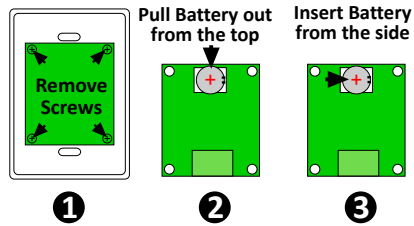


To unlink a button: Repeat steps 2&3.
 To clear all links in a Receiver: Hold the Link Button until the LED is ON solid (10 sec) then release.
 A Receiver can link up to 30 different buttons.
 Mount the Switch with double-sided tape or clip off the outer surround to expose standard 2x4 mounting holes.

Transmitter:

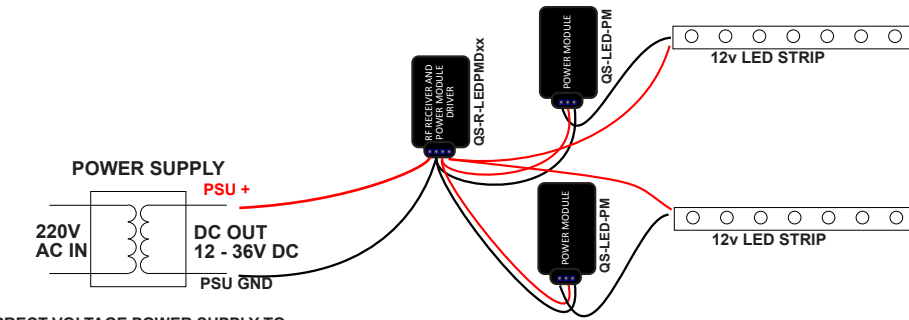


BATTERY REPLACEMENT

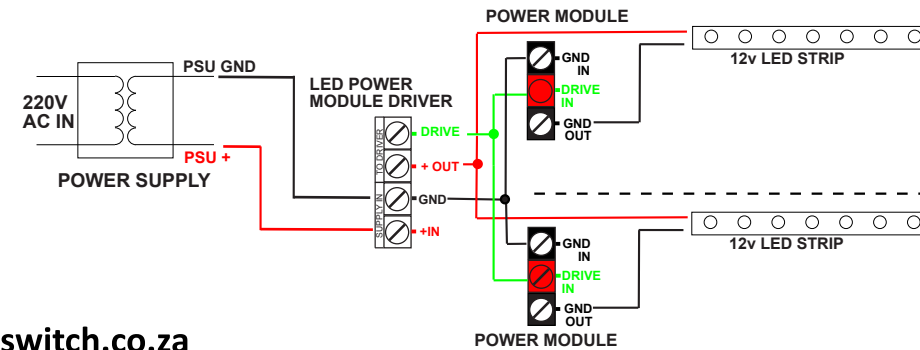


LED will flash 3 times to indicate successful power-up.

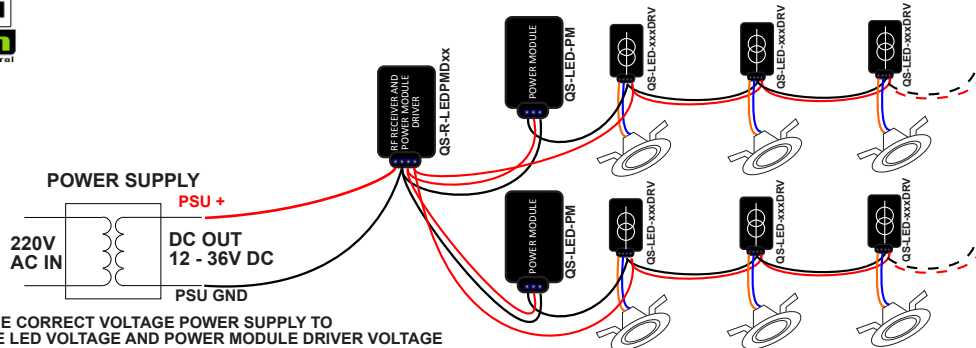
Qwik-Switch LED dimming system - Wireless control (Option 2)



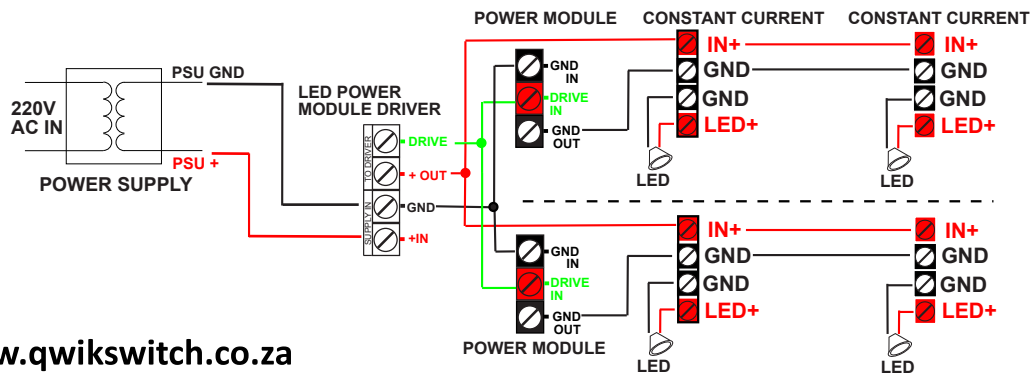
SELECT THE CORRECT VOLTAGE POWER SUPPLY TO MATCH THE LED VOLTAGE AND POWER MODULE DRIVER VOLTAGE



Qwik-Switch LED dimming system - Wireless control (Option 1)



SELECT THE CORRECT VOLTAGE POWER SUPPLY TO MATCH THE LED VOLTAGE AND POWER MODULE DRIVER VOLTAGE



LED DIMMING NOTES

GENERAL NOTES:

- 1) PIR off level 10%
- 2) Maximum load of 3A per LED POWER MODULE
- 3) Maximum of one LED per CONSTANT CURRENT LED Driver
- 4) LED must be a DC dimmable type
- 5) Choose the correct driver for the LED used: 350mA, 500mA and 700mA types available
- 6) Power supply to be DC out, correct voltage, Current 30% higher than load
- 7) Compatible with most Qwik-Switch Transmitters

OPTION 1:

- Use for discrete LED downlighters
- Shared Power Supply and Transmitter
- Set power supply to correct VOLTAGE
- Maximum of 3A load per Power Module

OPTION 2:

- Use for DC LED strip
- Shared Power Supply and Transmitter
- Set power supply to correct VOLTAGE
- Maximum of 3A load per Power Module