



# Qwik-Switch LED PUSH BUTTON MODULE INSTALLATION

## LED DIMMING NOTES

### GENERAL NOTES:

- 1) Push button switch to be BELL TYPE push button
- 2) Maximum load of 3A per LED POWER MODULE or LED DIMMER
- 3) Maximum of one LED per CONSTANT CURRENT LED Driver
- 4) LED must be a DC dimmable type
- 5) Chose the correct driver for the LED used: 350mA, 500mA and 700mA types available
- 6) Power supply to be DC out, correct voltage, Current 30% higher than load

### OPTION 1: LED DOWNLIGHTER

- Use for discrete LED downlighters
- Shared Power Supply and Transmitter
- Set power supply to correct VOLTAGE
- Maximum of 3A load per LED DIMMER

### OPTION 2: LED STRIP

- Use for DC LED strip
- Shared Power Supply and Transmitter
- Set power supply to correct VOLTAGE
- Maximum of 3A load per LED DIMMER

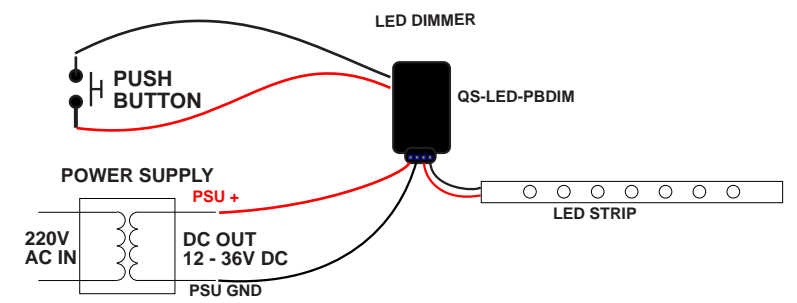
### OPTION 3: POWER MODULE

- use when one LED push button dimmer needs to control large LED loads
- Shared Power Supply and Transmitter
- Set power supply to correct VOLTAGE
- Maximum of 3A load per LED POWER MODULE

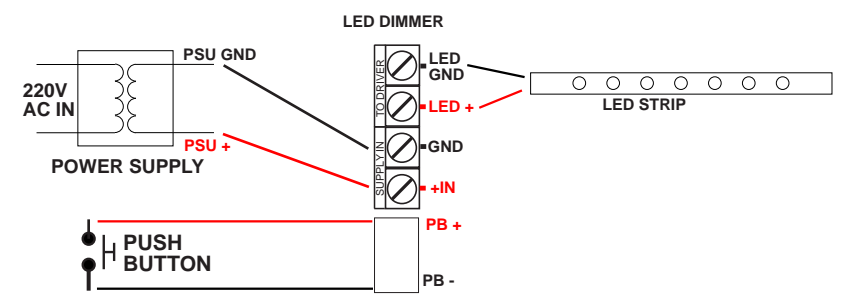
[www.qwikswitch.co.za](http://www.qwikswitch.co.za)



## LED dimming - Push Button to LED strip (Option 2)



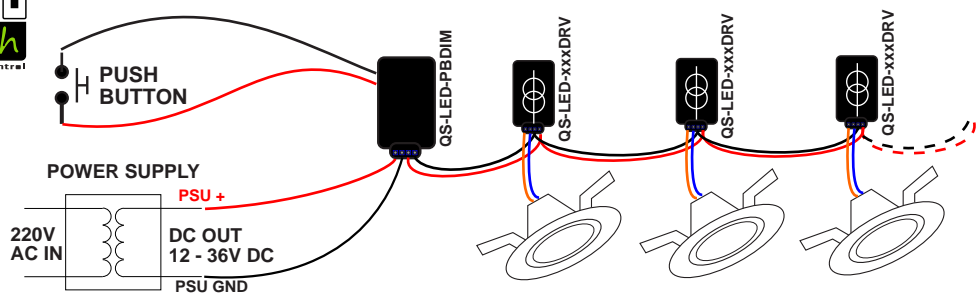
SELECT THE CORRECT VOLTAGE POWER SUPPLY TO MATCH THE LED VOLTAGE AND LED DIMMER VOLTAGE



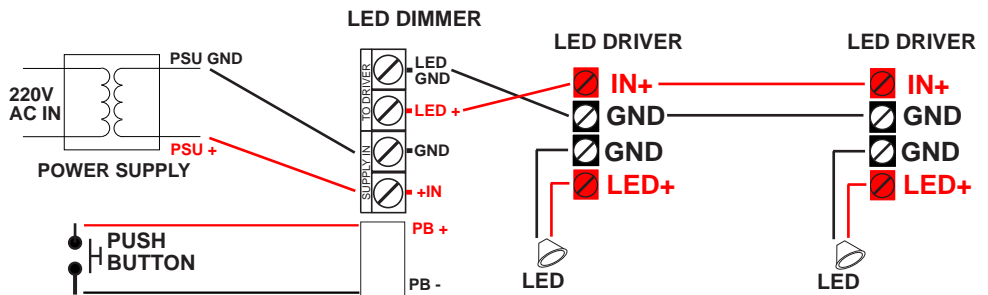
[www.qwikswitch.co.za](http://www.qwikswitch.co.za)



## LED dimming - Push Button to LED downlighters (Option 1)



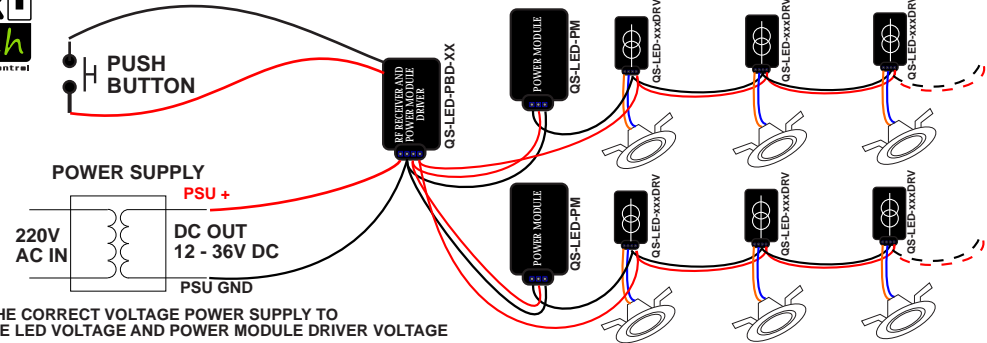
SELECT THE CORRECT VOLTAGE POWER SUPPLY TO MATCH THE LED VOLTAGE AND LED DIMMER VOLTAGE



[www.qwikswitch.co.za](http://www.qwikswitch.co.za)



## LED dimming - Power Module (Option 3)



SELECT THE CORRECT VOLTAGE POWER SUPPLY TO MATCH THE LED VOLTAGE AND POWER MODULE DRIVER VOLTAGE

