

## LED DIMMING NOTES

### GENERAL NOTES:

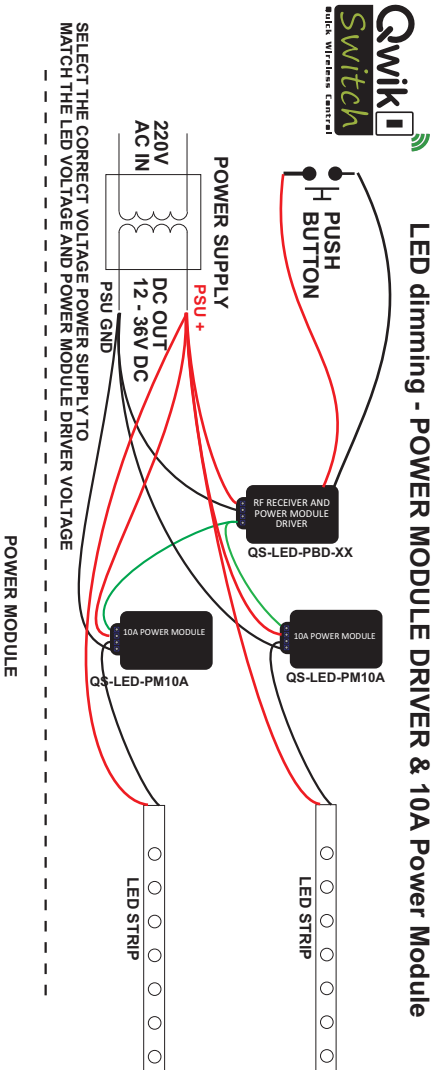
- 1) Push button switch to be BELL TYPE push button
- 2) Maximum load of 10A per 10A LED POWER MODULE
- 3) Maximum of one LED per CONSTANT CURRENT LED Driver
- 4) LED must be a DC dimmable type
- 5) Choose the correct CONSTANT CURRENT driver for the LED used: 350mA, 500mA or 700mA
- 6) Power supply to be DC out, correct voltage, Current 20% higher than load

### 10A POWER MODULE

- use when one LED push button dimmer needs to control large LED loads
- Shared Power Supply and Transmitter
- Set power supply to correct VOLTAGE
- Maximum of 10A load per LED POWER MODULE

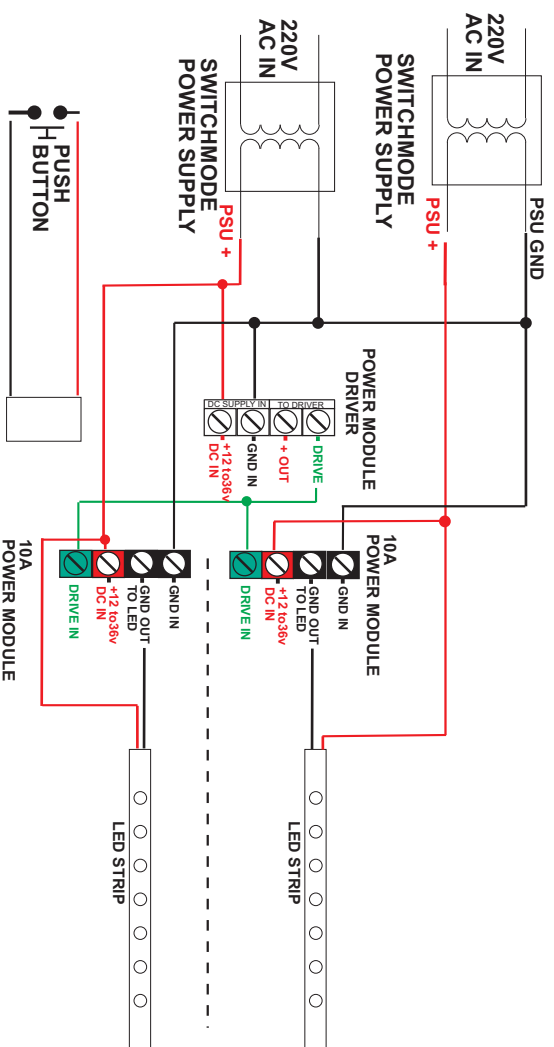
[www.gwikswitch.co.za](http://www.gwikswitch.co.za)

## LED dimming - POWER MODULE DRIVER & 10A Power Module



SELECT THE CORRECT VOLTAGE POWER SUPPLY TO MATCH THE LED VOLTAGE AND POWER MODULE DRIVER VOLTAGE

[www.gwikswitch.co.za](http://www.gwikswitch.co.za)



[www.gwikswitch.co.za](http://www.gwikswitch.co.za)