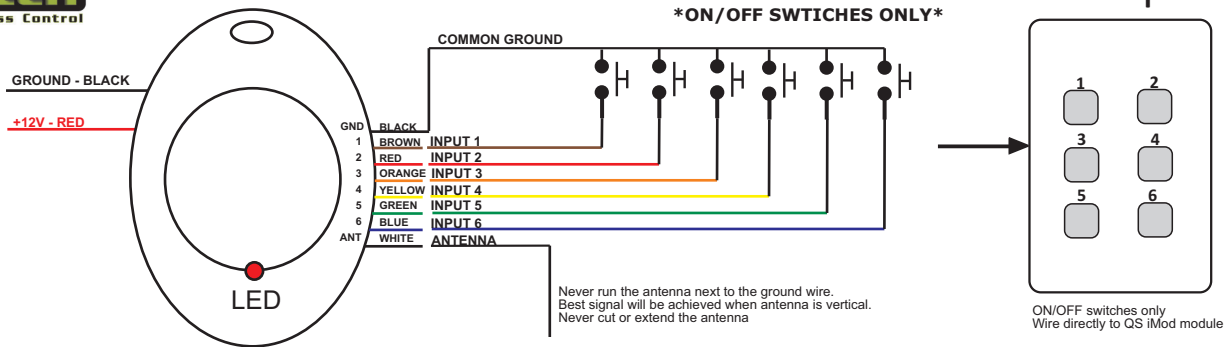
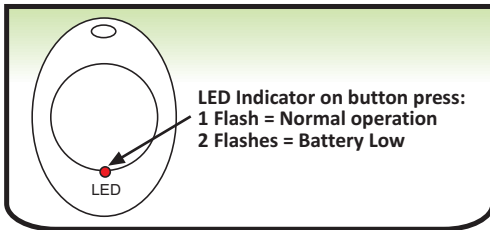


# iMod DC (ON/OFF) Installation

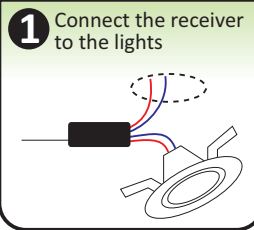
## Switch-plate



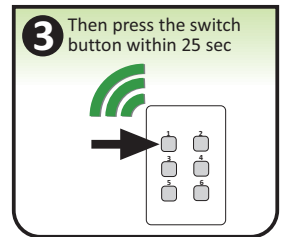
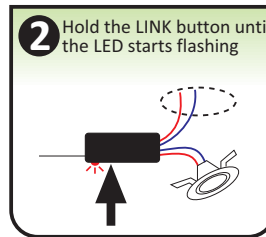
### LED INDICATOR



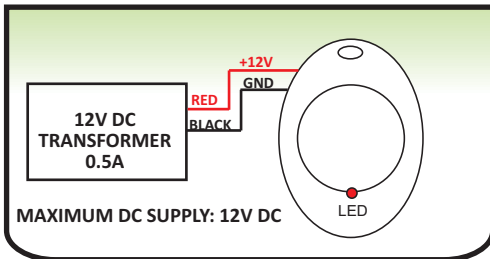
### Button Linking:



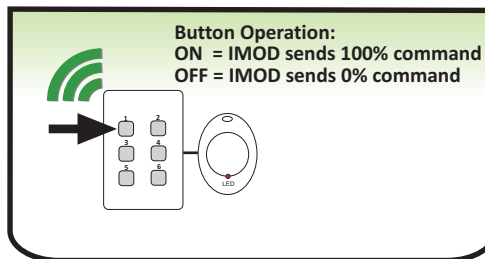
To unlink a button: Repeat steps 2&3.



### POWER SUPPLY WIRING

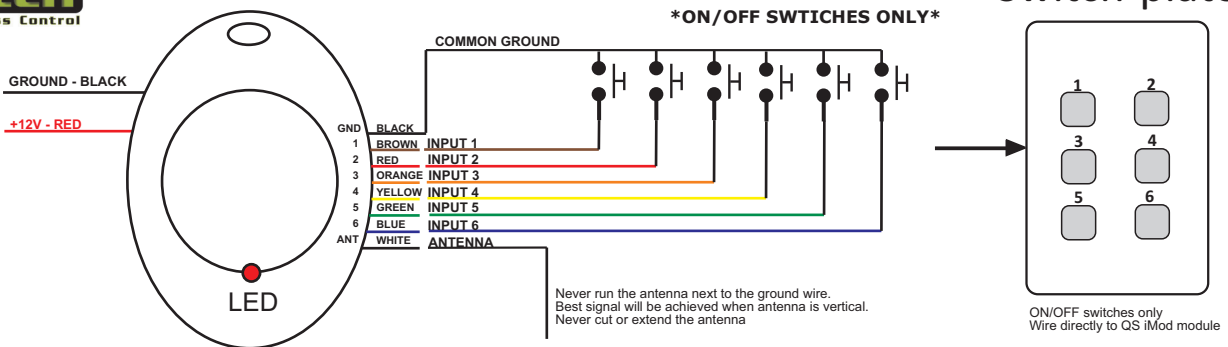


### BUTTON OPERATION

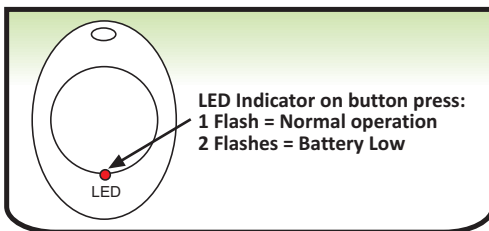


# iMod DC (ON/OFF) Installation

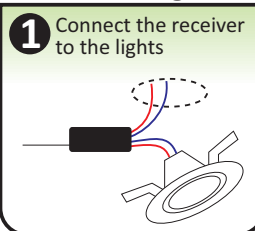
## Switch-plate



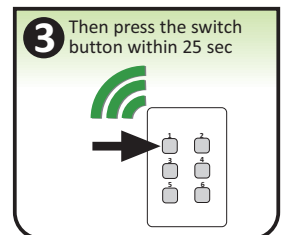
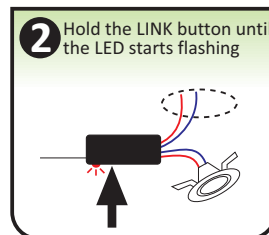
### LED INDICATOR



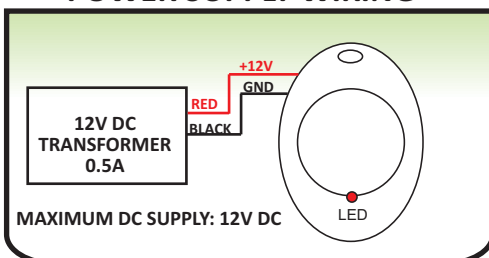
### Button Linking:



To unlink a button: Repeat steps 2&3.



### POWER SUPPLY WIRING



### BUTTON OPERATION

