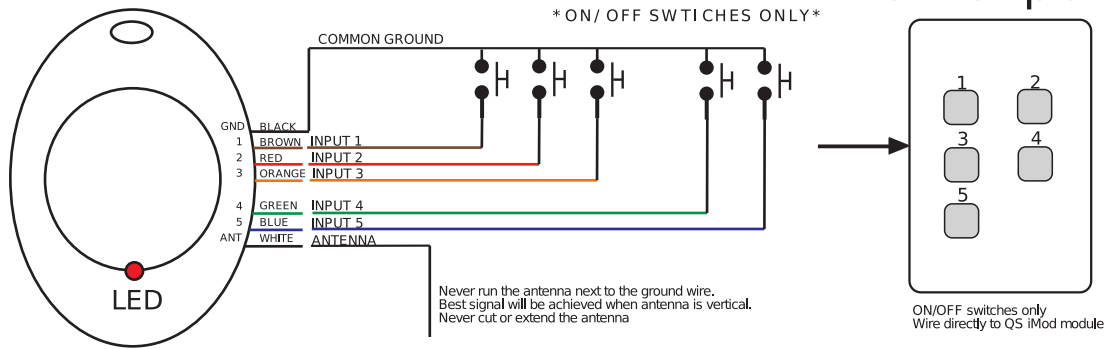
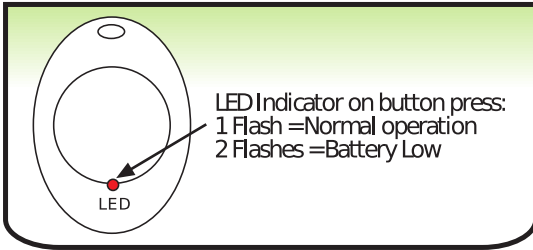


# iMod (ON/OFF) Installation

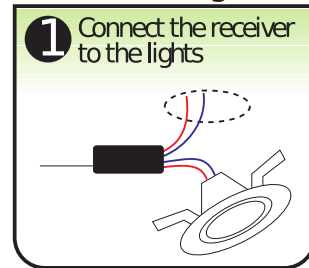
## Switch-plate



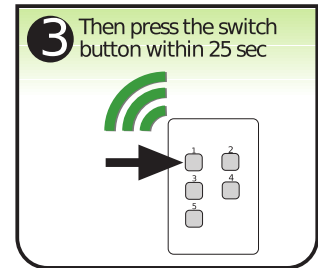
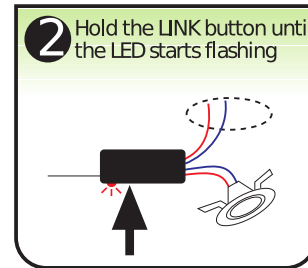
### LED INDICATOR



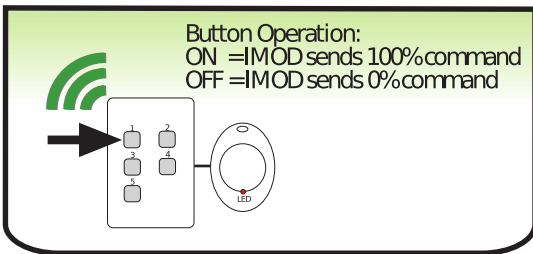
### Button Linking:



To unlink a button: Repeat steps 2&3.

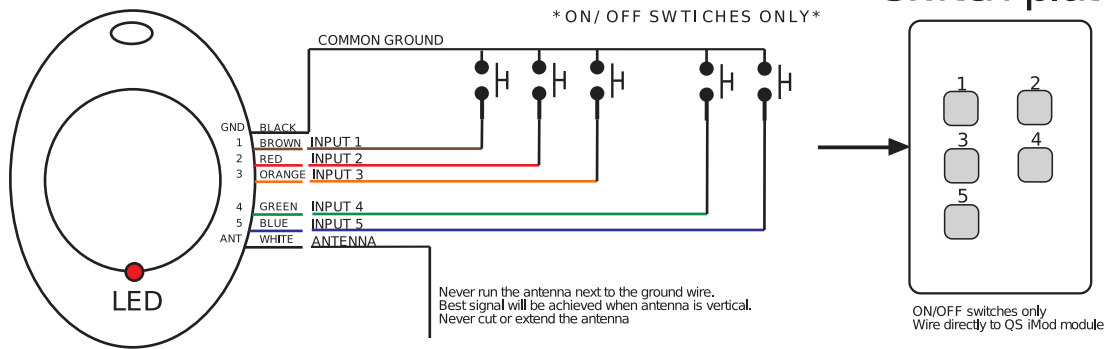


### BUTTON OPERATION

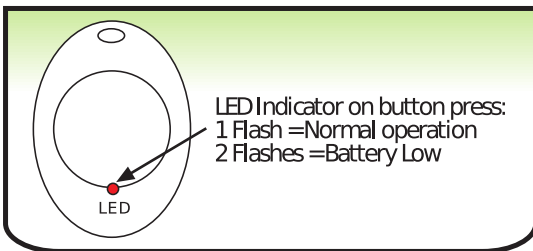


# iMod (ON/OFF) Installation

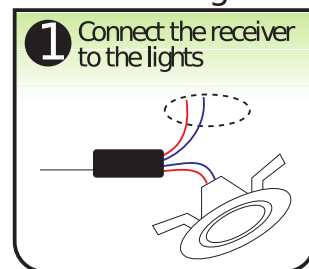
## Switch-plate



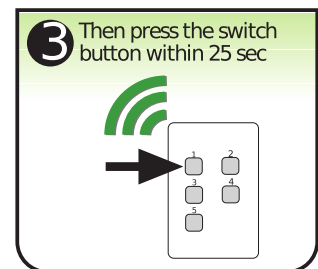
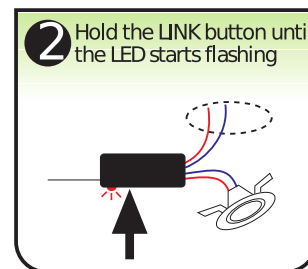
### LED INDICATOR



### Button Linking:



To unlink a button: Repeat steps 2&3.



### BUTTON OPERATION

