

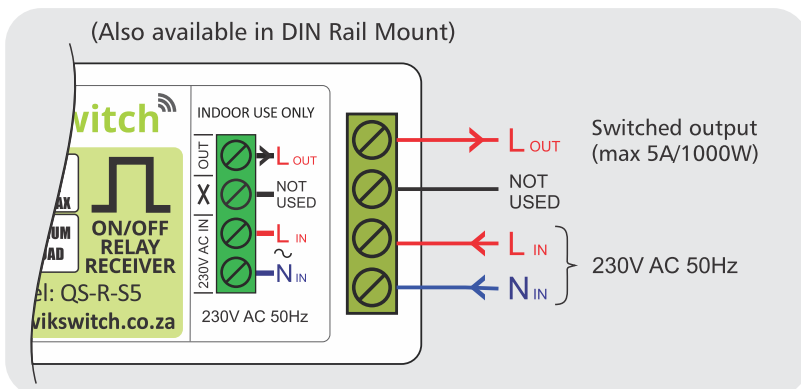
### LOAD TYPES

- Resistive: Edison Bulb
- Inductive: Motor
- Capacitive: Pool pump

## Features

- The QS-R-S5 Relay is one of the most popular device in the QwikSwitch range as it allows you to control anything, not just lighting eg. Geyser, Bathroom Fan etc.
- Please note that there are bigger relay contacts available in 30A, if needed please contact your closest QwikSwitch representative.
- Ability to be set as a pulse output (0.2sec/0.4sec/0.6sec/0.8sec/1sec/2sec/5sec)
- This device is controllable from the WiFi Bridge (QS-WIFI-BRIDGE) remotely
  - Set schedules
  - Turn on / off devices
  - Device Status

## Wiring Diagram



### Hold link button in while powering up for the first time to enter desired mode below

- \* The LED will flash 3 times and then go solid before entering modes then will start to flash
  - \* 1st flash = Permanently latch on and off
  - \* 2nd flash = 0.2sec pulse
  - \* 3rd flash = 0.4sec pulse
  - \* 4th flash = 0.6sec pulse
  - \* 5th flash = 0.8sec pulse
  - \* 6th flash = 1sec pulse
  - \* 7th flash = 2sec pulse
  - \* LED stays solid = 5sec pulse
- Release the button after the corresponding flashes according to the table above for desired mode

## Specifications

- Input supply - 220Vac, 50Hz
- Output - 220 Vac, 50Hz
- Load - 5Kw Resistive load (5A) or 1 Kw Inductive load (Motor) 1.5hp
- Form factor - moulded casing - 86mm (L) x 36mm (W) x 29mm (H)
- Radio frequency - 868MHz
- Range - 30m through walls and floors, 100m line of sight.