

model: QS-R-DOPTO

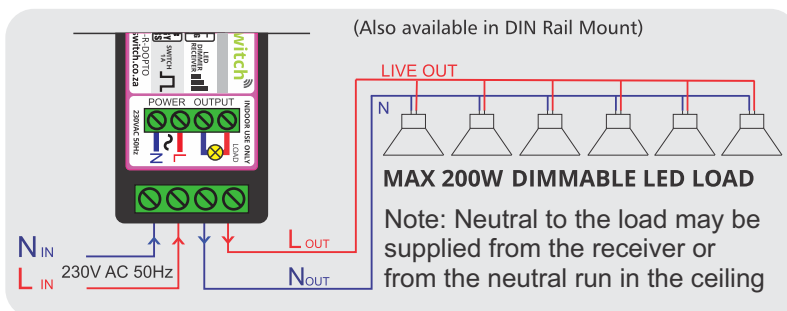
### Dimming or ON/OFF in one unit!



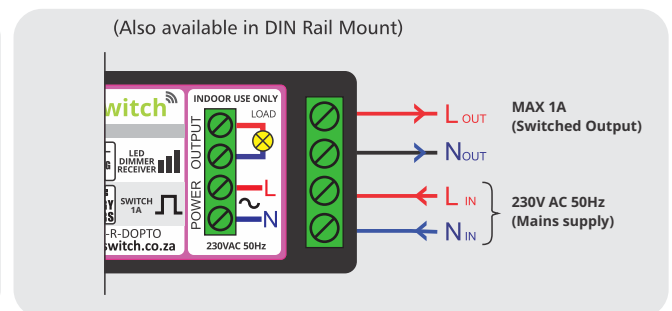
## Features

- QS-R-DOPTO is the most popular unit in the QwikSwitch Range, having the ability to change to a dimmer or a relay receiver.
- Default Mode: ON/OFF - Mode needs to be set at installation.
- Please consult the QwikSwitch Website for a list of tested compatible LED's.
- This device is controllable from the WiFi Bridge (QS-WIFI-BRIDGE) remotely
  - Set schedules - Turn on / off devices - Device Status
- Not to be used for CFL Dimming - Can switch CFL ON/OFF (Relay Mode)

## Dimmer



## Relay

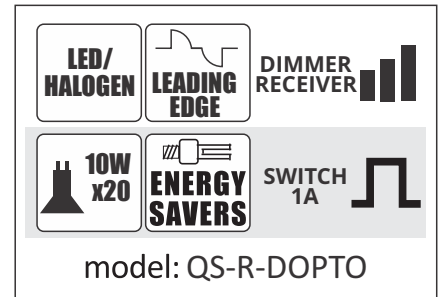


## Specifications

- Input - 230 Vac, 50Hz
- Max Output - 1A (Relay Mode) / 200W (Dimmer Mode)
- Form Factor - Moulded casing - 86mm (L) x 36mm (W) x 29mm (H)
- Radio Frequency - 868 Mhz
- Range - 30m through walls and floors, 100m line of sight.
- Repeaters (QS-T-REP) available if needed.



Note: Always install so that the TEST/LINK BUTTON is accessible



### Mode 1: *Linking to a transmitter.*

Hold the "Link" button for approximately 3 seconds or until the LED starts flashing (medium rate), then press the desired transmitter button to be linked. Confirmation of linking will be indicated with 3 flashes.

### Mode 2: *Set OFF level (LED dimming stop/off level)*

**Note 1:** Mode 2 setting is only required when using the unit to dim an LED load, this allows you to stop and switch off the LED dimming at a level higher than 0.

**Note 2:** Before changing Mode 2, first ensure that you have set the unit to be a dimmer (as per Mode 3 explanation)

**Note 3:** Before changing Mode 2, first link the unit to a transmitter (as per Mode 1 explanation)

#### Action:

- 1: Set the light level that you require the LED to switch off at, using the linked transmitter.
- 2: Hold the "Link" button for approximately 5 seconds or until the LED flashes at a fast rate, then release the button.
- 3: To clear this level and reset it to "0", repeat step 2.

### Mode 3: *Choose between Relay (ON/OFF) and DIM mode.*

- 1: Hold the button for approximately 8 seconds or until the LED flashes at slow rate, then release the button. The unit will now change mode from ON/OFF to DIM mode or vice-versa.
- 2: Repeat step 1 to revert to the alternate mode. (DIM changes to ON/OFF & ON/OFF changes to DIM)

### Mode 4: *Clear all settings and reset to default mode.*

#### *Default (ON/OFF)*

Hold the button for approximately 10 seconds or until the LED is permanently on, then release the button. All settings will now be cleared and returned to default.

**Please note:** If the mode is changed between DIM and ON/OFF, the device will need to be deleted and then re-added to the app or online interface.