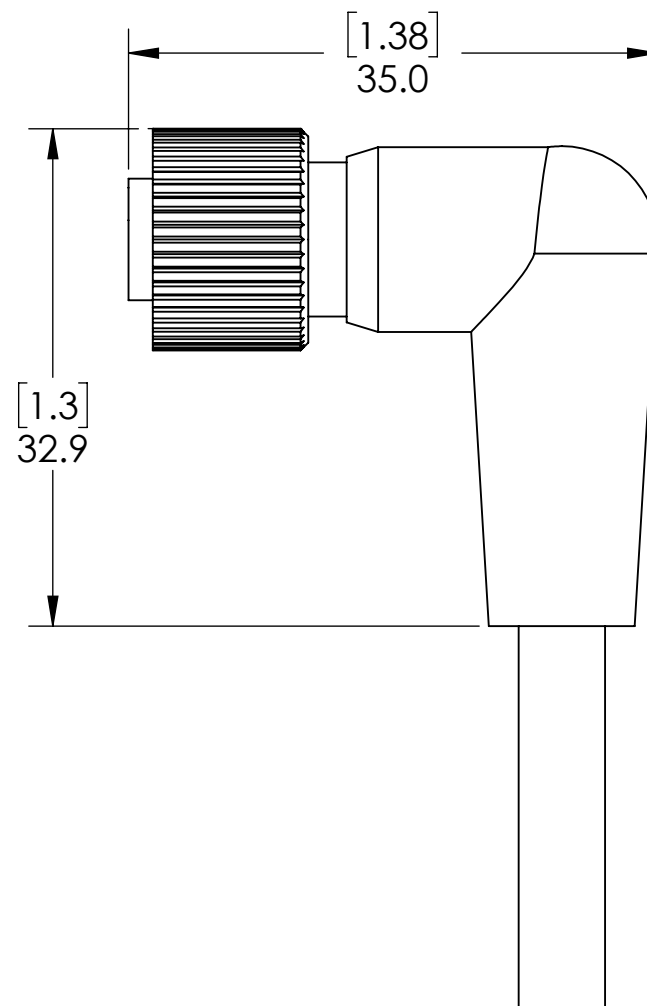


#### 4 PIN CONNECTOR

| PIN # | COLOR |
|-------|-------|
| 1     | BROWN |
| 2     | WHITE |
| 3     | BLUE  |
| 4     | BLACK |



#### 5 PIN CONNECTOR

| PIN # | COLOR |
|-------|-------|
| 1     | BROWN |
| 2     | WHITE |
| 3     | BLUE  |
| 4     | BLACK |
| 5     | GRAY  |

#### SPECIFICATIONS

|                 |                     |
|-----------------|---------------------|
| BODY            | YELLOW PVC          |
| CONTACTS        | GOLD PLATED COPPER  |
| CABLE           | 22/4 AWG            |
| COUPLING        | NICKLE PLATED BRASS |
| INSERT          | POLYAMIDE           |
| US APPROVAL     | UL LISTED           |
| CANADA APPROVAL | C-UL LISTED         |
| VOLTS           | 300V                |
| AMPS            | 4A                  |
| TEMP            | 105 C               |

| DEFAULTS   |               | CMH INDUSTRIES INC |                          |
|--|---------------|--------------------|--------------------------|
| ANSI THIRD ANGLE   | COUNTERSINKS: | TITLE              | FEMALE PLUG              |
|  |               | MATERIAL           | Material <not specified> |
| UNITS ARE IN mm<br>X.X +/- .5<br>X.XX +/- .1<br>WHEN INCHES ARE USED<br>X.X +/- .03<br>X.XX +/- .010<br>X.XXX +/- .005   |               | FINISH             | -                        |
|  |               | DES. BY            | -                        |
|  |               | DESIGNED DATE      | 10/23/2017               |
|  |               | LAST SAVED DATE    | 10/25/2017               |
| BREAK ALL SHARP EDGES  | DWG SIZE: B   | VENDOR             | -                        |
|  |               | VENDOR#            | -                        |
|  |               | DRAWING NO.        | REV                      |
|  |               | <b>CORD SET</b>    |                          |
|  |               | WEIGHT 0.01 LBS    |                          |
| <b>PROPRIETARY AND CONFIDENTIAL</b>  |               |                    |                          |
| THE INFORMATION CONTAINED IN THIS DOCUMENT IS THE SOLE PROPERTY OF CMH INDUSTRIES INC. ANY REPRODUCTION WITHOUT THE WRITTEN PERMISSION OF CMH INDUSTRIES INC. IS PROHIBITED. |               |                    |                          |