

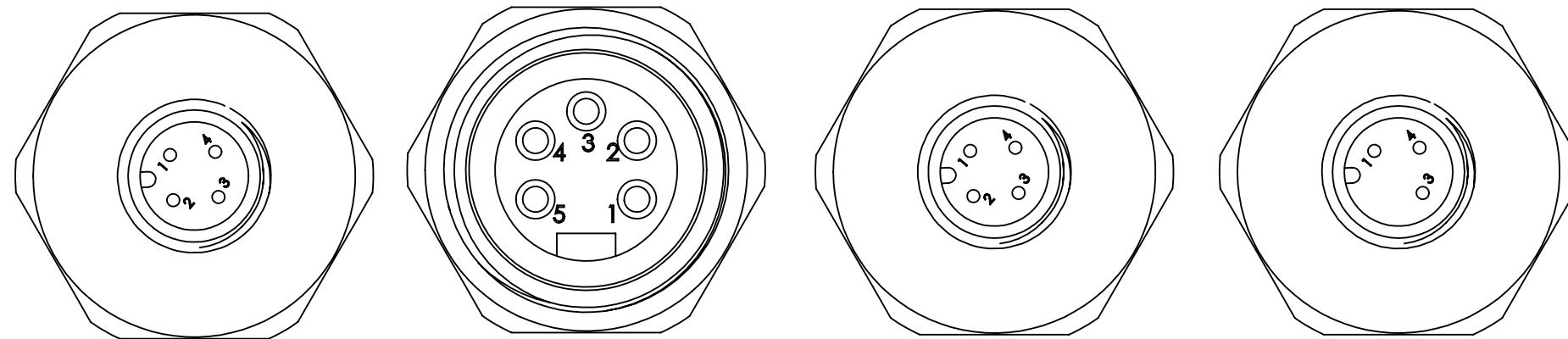
TECHNICAL SPECIFICATIONS

Power	24 VDC - User Supplied
QAS Module Current (quite state / inactive, no lamp)	50 ma
QAS Module Current (active state, no lamp)	65 ma
QAS Module Output (one shot, no bounce)	Source 700ms to 800ms
Lamp LED array Current	100 ma
Lamp Circuit Current Limit (self resetting)	160 ma - resets when current falls below 60 ma
CCP100 - Max Current	200 ma

DIAGNOSTICS

Red LED	Output Active - on while output is high
Green LED	24 VDC present
Amber LED	Lamp is on

WIRING BASED ON THE CONNECTOR TYPE ON BOX



MICRO 4 PIN OUT

1. 24VDC
2. INPUT
3. COMMON
4. OUTPUT

MINI 5 PIN OUT

1. COMMON
2. INPUT
3. N/C
4. 24 VDC
5. OUTPUT

MICRO 5 PIN OUT

1. COMMON
2. INPUT
3. N/C
4. 24 VDC
5. OUTPUT

MICRO 3 PIN OUT

1. COMMON
- 2.
3. N/O
4. NEG

DEFAULTS		CMH INDUSTRIES INC	
ANSI THIRD ANGLE	COUNTERSINKS: .5	TITLE CCP100	
UNITS ARE IN mm X.X +/- .5 X.XX +/- .1 WHEN INCHES ARE USED X.X +/- .03 X.XX +/- .010 X.XXX +/- .005	DES. BY	DESIGNED DATE 3/24/2017	DRAWING NO. CCP100
BREAK ALL SHARP EDGES	DWG SIZE: B	LAST SAVED DATE 8/14/2017	REV
PROPRIETARY AND CONFIDENTIAL THE INFORMATION CONTAINED IN THIS DOCUMENT IS THE SOLE PROPERTY OF CMH INDUSTRIES INC. ANY REPRODUCTION WITHOUT THE WRITTEN PERMISSION OF CMH INDUSTRIES INC IS PROHIBITED.		WEIGHT 0.26 LBS	