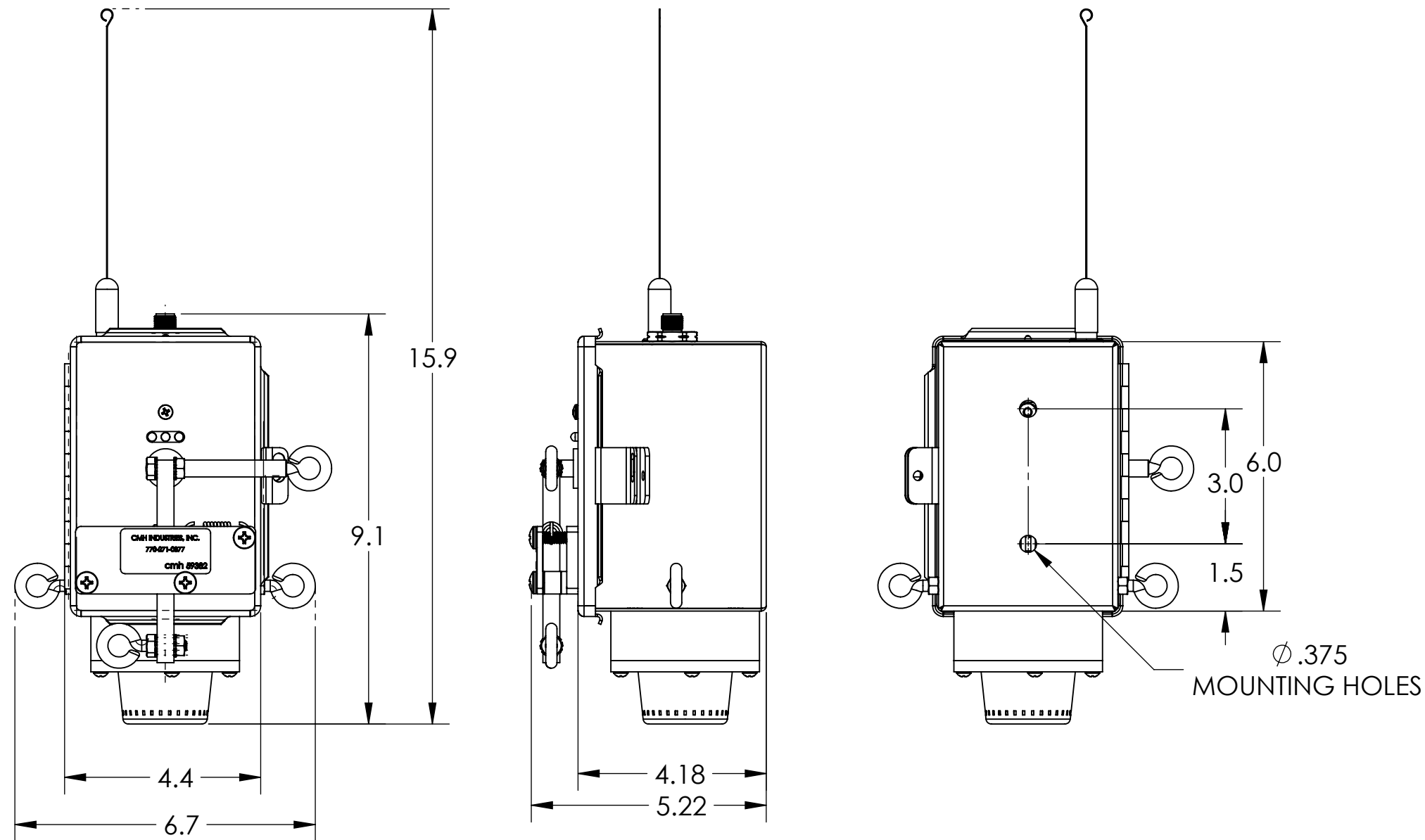


## TECHNICAL SPECIFICATIONS

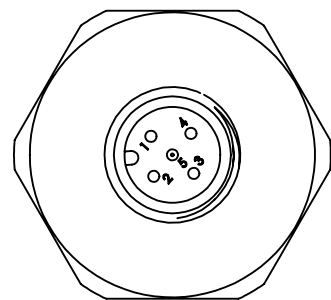
Power	24 VDC - User Supplied
QAS Module Current (quite state / inactive, no lamp)	50 ma
QAS Module Current (active state, no lamp)	65 ma
QAS Module Output (one shot, no bounce)	Source 700ms to 800ms
Lamp LED array Current	100 ma
Lamp Circuit Current Limit (self resetting)	160 ma - resets when current falls below 60 ma
1663 Max Current	200 ma
Receiver Transmitter Capacity	40 each- with 40 different transmitters
Receiver Minimum Individual Channels	16 million NRZ encoded
Receiver Frequency	318 Mega Hertz

## DIAGNOSTICS

Red LED	Output Active - on while output is high
Green LED	24 VDC present
Amber LED	Lamp is on

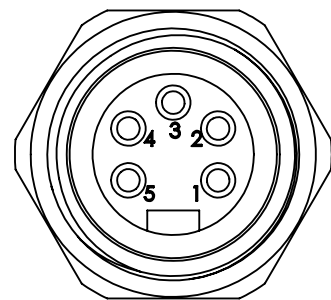


## WIRING BASED ON THE CONNECTOR TYPE ON BOX



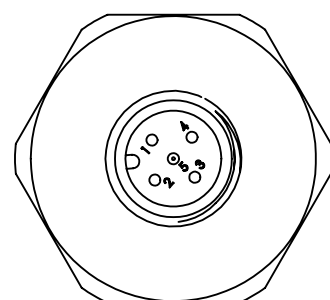
### MICRO 4 PIN OUT

1. 24VDC
2. INPUT
3. COMMON
4. OUTPUT



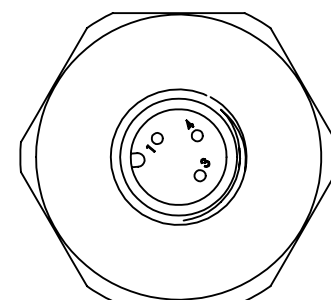
### MINI 5 PIN OUT

1. COMMON
2. INPUT
3. N/C
4. 24 VDC
5. OUTPUT



### MICRO 5 PIN OUT

1. COMMON
2. INPUT
3. N/C
4. 24 VDC
5. OUTPUT



### MICRO 3 PIN OUT

1. COMMON
- 2.
3. N/O
4. NEG

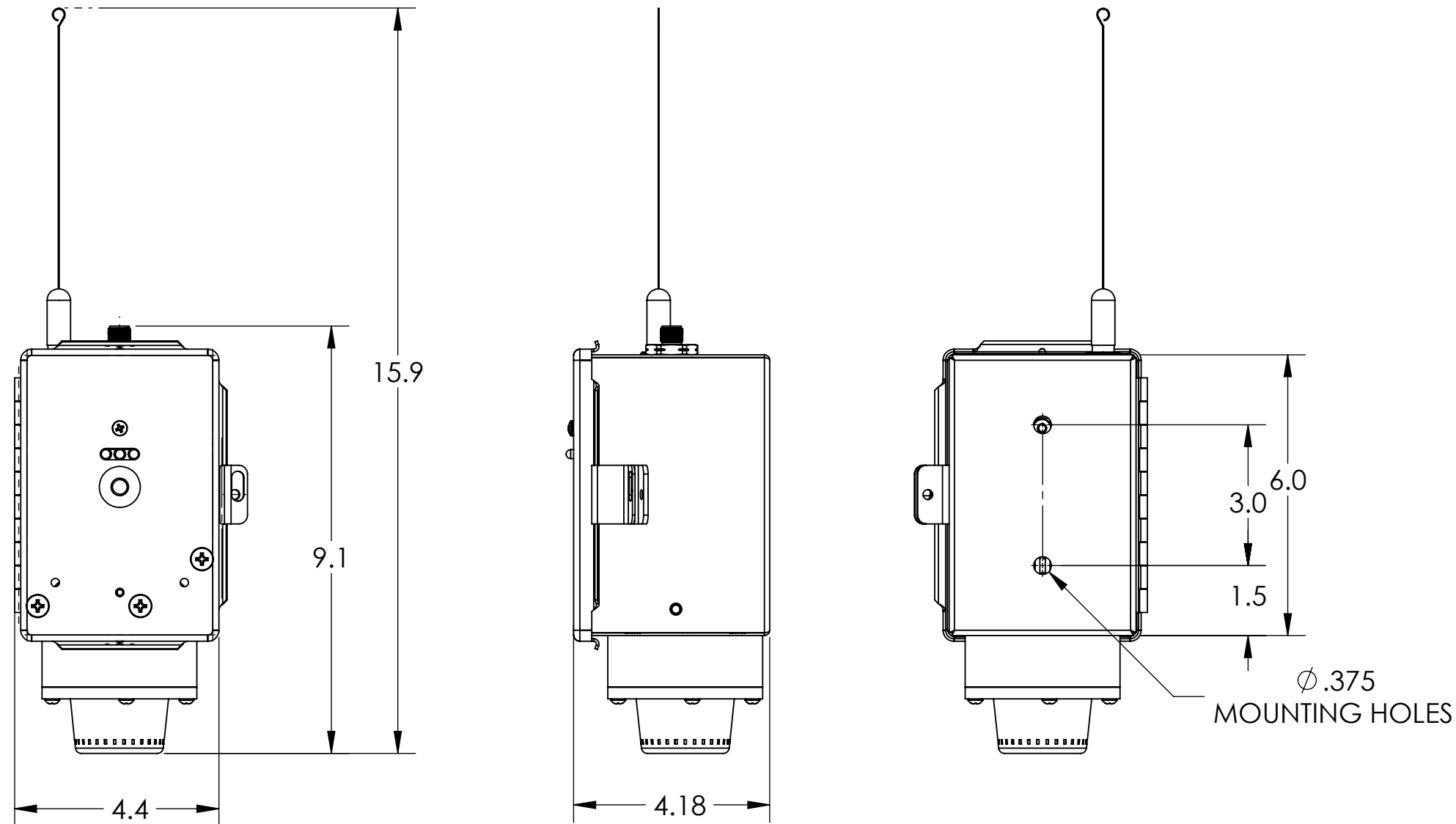
DEFAULTS		CMH INDUSTRIES INC	
ANSI THIRD ANGLE	COUNTERSINKS: .5	TITLE 1663	
UNITS ARE IN mm X.X +/- .5 X.XX +/- .1 WHEN INCHES ARE USED X.X +/- .03 X.XX +/- .010 X.XXX +/- .005	DESIGNED DATE 12/7/2016	VENDOR	
BREAK ALL SHARP EDGES	DWG SIZE: B	VENDOR#	
		DRAWING NO. 1663	REV
		WEIGHT 2.09 LBS	
<b>PROPRIETARY AND CONFIDENTIAL</b> THE INFORMATION CONTAINED IN THIS DOCUMENT IS THE SOLE PROPERTY OF CMH INDUSTRIES INC. ANY REPRODUCTION WITHOUT THE WRITTEN PERMISSION OF CMH INDUSTRIES INC. IS PROHIBITED.			

## TECHNICAL SPECIFICATIONS

Power	24 VDC - User Supplied
QAS Module Current (quite state / inactive, no lamp)	50 ma
QAS Module Current (active state, no lamp)	65 ma
QAS Module Output (one shot, no bounce)	Source 700ms to 800ms
Lamp LED array Current	100 ma
Lamp Circuit Current Limit (self resetting)	160 ma - resets when current falls below 60 ma
1660 Max Current	200 ma
Receiver Transmitter Capacity	40 each- with 40 different transmitters
Receiver Minimum Individual Channels	16 million NRZ encoded
Receiver Frequency	318 Mega Hertz

## DIAGNOSTICS

Red LED	Output Active - on while output is high
Green LED	24 VDC present
Amber LED	Lamp is on



## 1663 No-Pull Hardware

DEFAULTS		CMH INDUSTRIES INC	
ANSI THIRD ANGLE	COUNTERSINKS: .5	TITLE 1663	
UNITS ARE IN mm X.X +/- .5 X.XX +/- .1 WHEN INCHES ARE USED X.X +/- .03 X.XX +/- .010 X.XXX +/- .005		MATERIAL	VENDOR
FINISH		DES. BY	VENDOR#
DESIGNED DATE 12/7/2016		DRAWING NO. 1663	
LAST SAVED DATE 4/27/2017		REV	
BREAK ALL SHARP EDGES		DWG SIZE: B	WEIGHT 2.09 LBS
<b>PROPRIETARY AND CONFIDENTIAL</b> THE INFORMATION CONTAINED IN THIS DOCUMENT IS THE SOLE PROPERTY OF CMH INDUSTRIES INC. ANY REPRODUCTION WITHOUT THE WRITTEN PERMISSION OF CMH INDUSTRIES INC. IS PROHIBITED.			