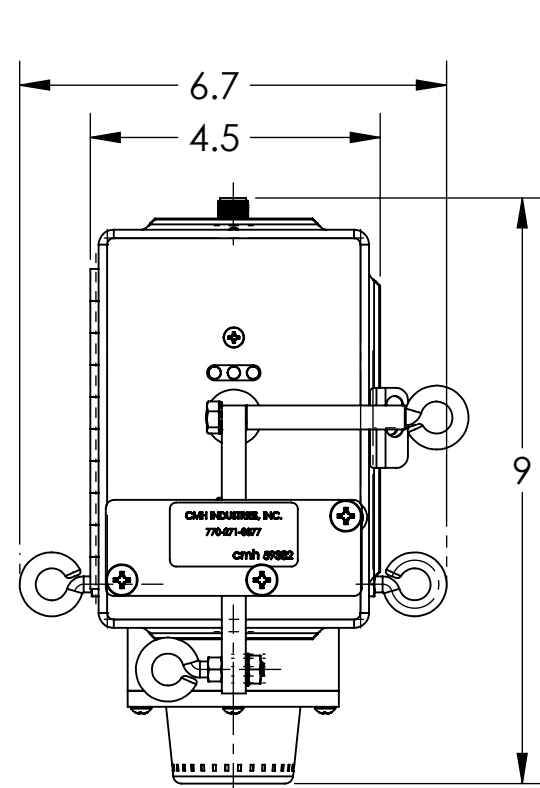
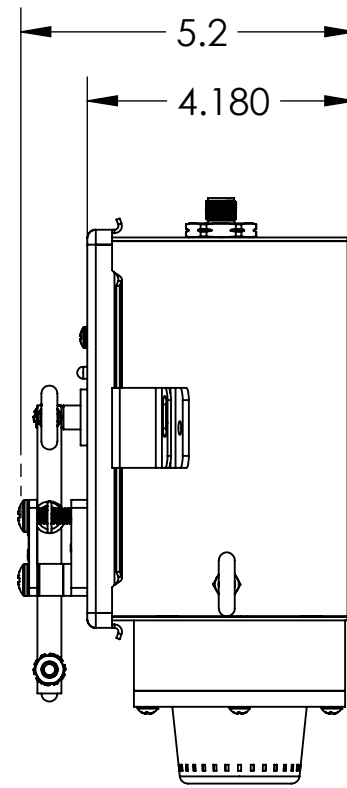


TECHNICAL SPECIFICATIONS

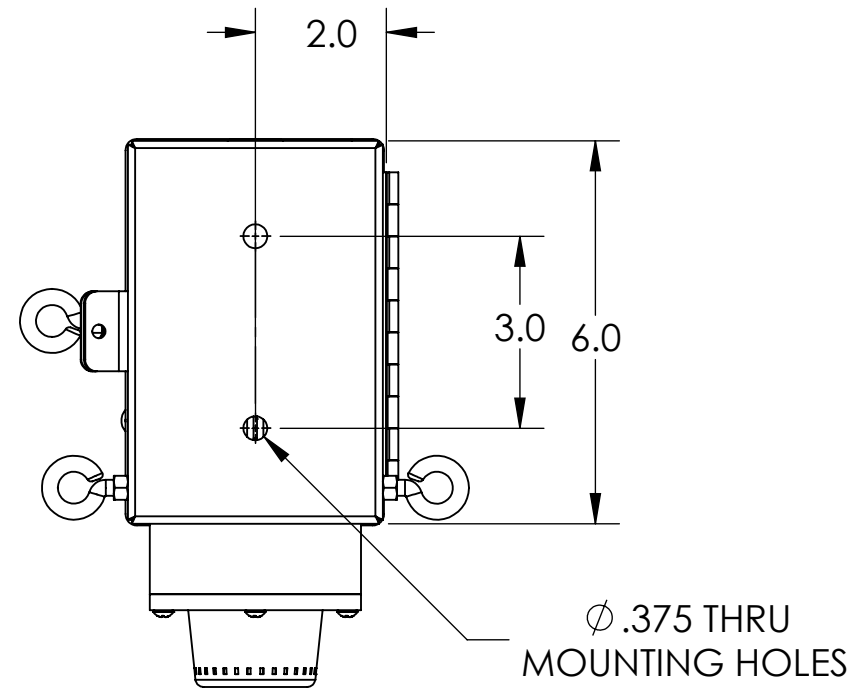
Power	24 VDC - User Supplied
QAS Module Current (quite state / inactive, no lamp)	50 ma
QAS Module Current (active state, no lamp)	65 ma
QAS Module Output (one shot, no bounce)	Source 700ms to 800ms
Lamp LED array Current	100 ma
Lamp Circuit Current Limit (self resetting)	160 ma - resets when current falls below 60 ma
1660 Max Current	200 ma
Receiver Transmitter Capacity	40 each- with 40 different transmitters
Receiver Minimum Individual Channels	16 million NRZ encoded
Receiver Frequency	318 Mega Hertz



FRONT VIEW

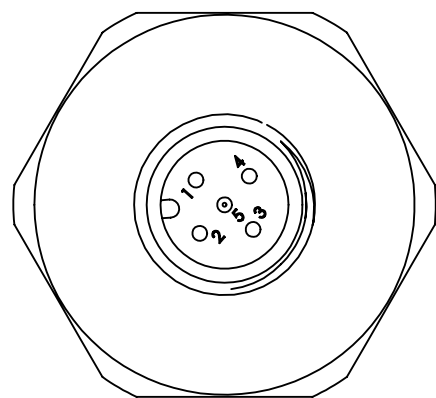


SIDE VIEW



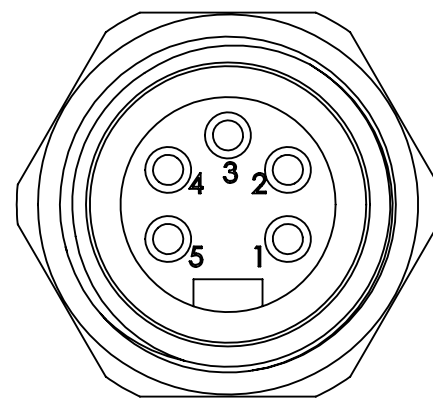
REAR VIEW

WIRING BASED ON THE CONNECTOR TYPE ON BOX



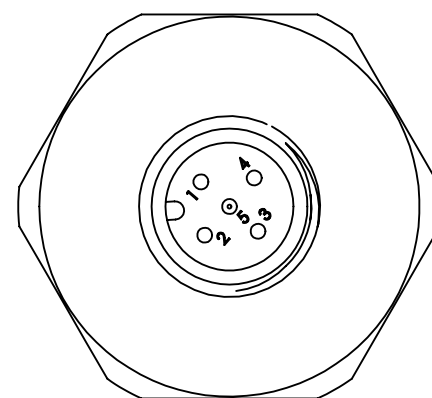
MICRO 4 PIN OUT

1. 24VDC
2. INPUT
3. COMMON
4. OUTPUT



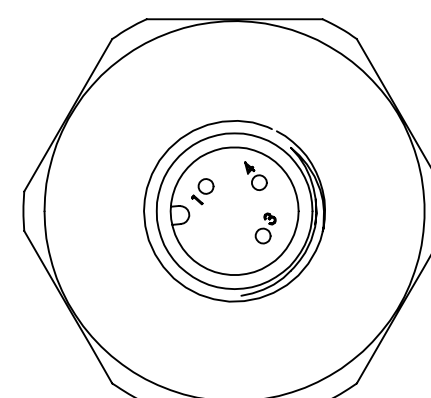
MINI 5 PIN OUT

1. COMMON
2. INPUT
3. N/C
4. 24 VDC
5. OUTPUT



MICRO 5 PIN OUT

1. COMMON
2. INPUT
3. N/C
4. 24 VDC
5. OUTPUT



MICRO 3 PIN OUT

1. COMMON
- 2.
3. N/O
4. NEG

DIAGNOSTICS

Red LED	Output Active - on while output is high
Green LED	24 VDC present
Amber LED	Lamp is on

DEFAULTS		CMH INDUSTRIES INC	
ANSI THIRD ANGLE	COUNTERSINKS: .5	TITLE 1660	
UNITS ARE IN mm X.X +/- .5 X.XX +/- .1 WHEN INCHES ARE USED X.X +/- .03 X.XX +/- .010 X.XXX +/- .005		MATERIAL	VENDOR
DESIGNED DATE 12/7/2016		VENDOR#	
LAST SAVED DATE 4/13/2017		DRAWING NO.	REV
BREAK ALL SHARP EDGES		DWG SIZE: B	1660
		WEIGHT 2.00 LBS	
PROPRIETARY AND CONFIDENTIAL THE INFORMATION CONTAINED IN THIS DOCUMENT IS THE SOLE PROPERTY OF CMH INDUSTRIES INC. ANY REPRODUCTION WITHOUT THE WRITTEN PERMISSION OF CMH INDUSTRIES INC. IS PROHIBITED.			