

# WICKED BRICK

**PLEASE NOTE:**  
All acrylic parts have protective film applied on both sides.

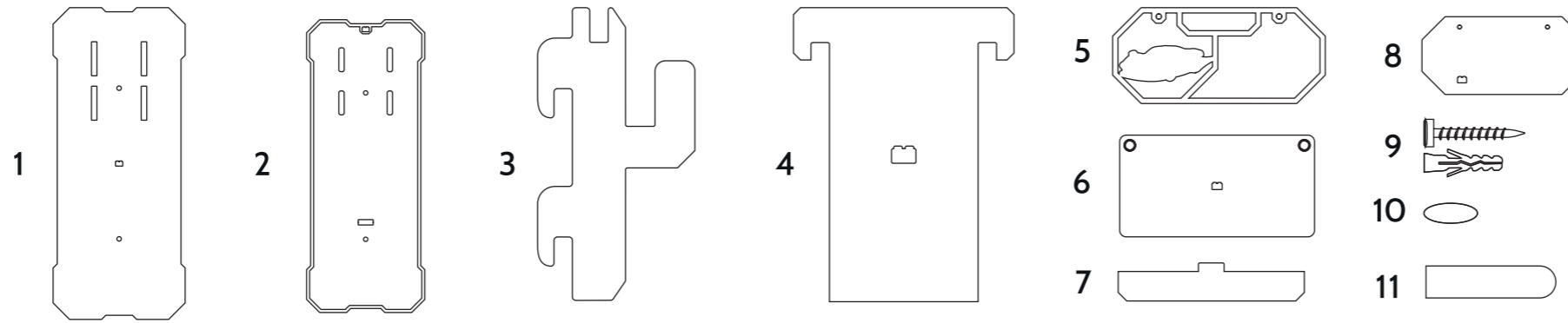
Some pieces appear with slightly translucent film, this will need to be removed before assembly.

Ensure all engraved lines face outwards.

## INSTRUCTIONS FOR: LEGO® Technic Open Wall Mounted Display (.8)

These instructions cover the basic directions for the majority of our LEGO Technic Open Wall mounted Display products.

More specific details will be found on your chosen products website listing.



- 1 - Backplate
- 2 - Add-on
- 3 - Hook stem
- 4 - Back stem
- 5 - Plaque
- 6 - LEGO plaque mount (if applicable)
- 7 - Support stem
- 8 - WB plaque mount
- 9 - Phillip screw & wall plug
- 10 - Felt pads
- 11 - Command strip

**A**

**1**

Apply felt pads on the back side of part 1.

**B**

**1**

Using a pencil and spirit level (not included) mark on the wall where you would like the wall mounted display.

**C**

**2** **1** **9**

Put part 1 & 2 together and screw into the wall using marking made step B. Do not overtighten screws to avoid cracking of the acrylic.

**D**

**3** **3** **7**



# WICKED BRICK

### PLEASE NOTE:

All acrylic parts have protective film applied on both sides.

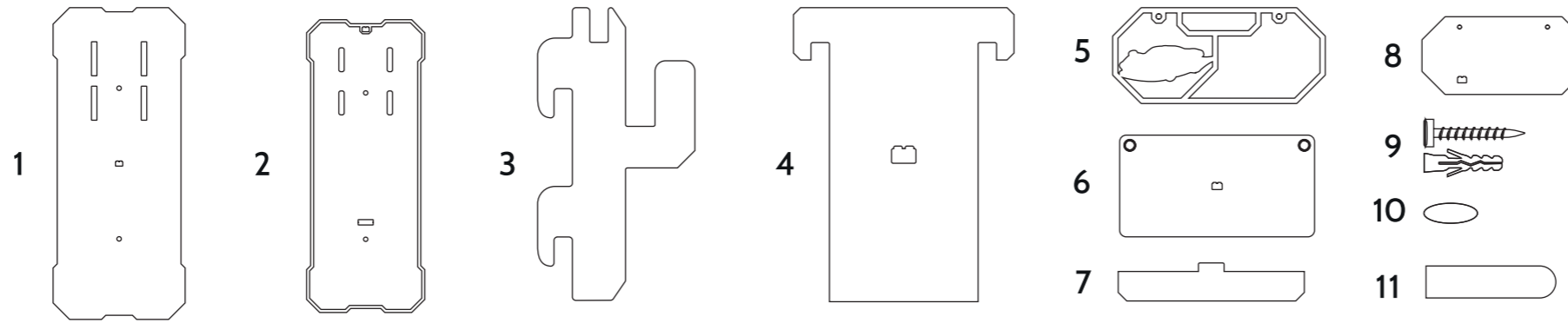
Some pieces appear with slightly translucent film, this will need to be removed before assembly.

Ensure all engraved lines face outwards.

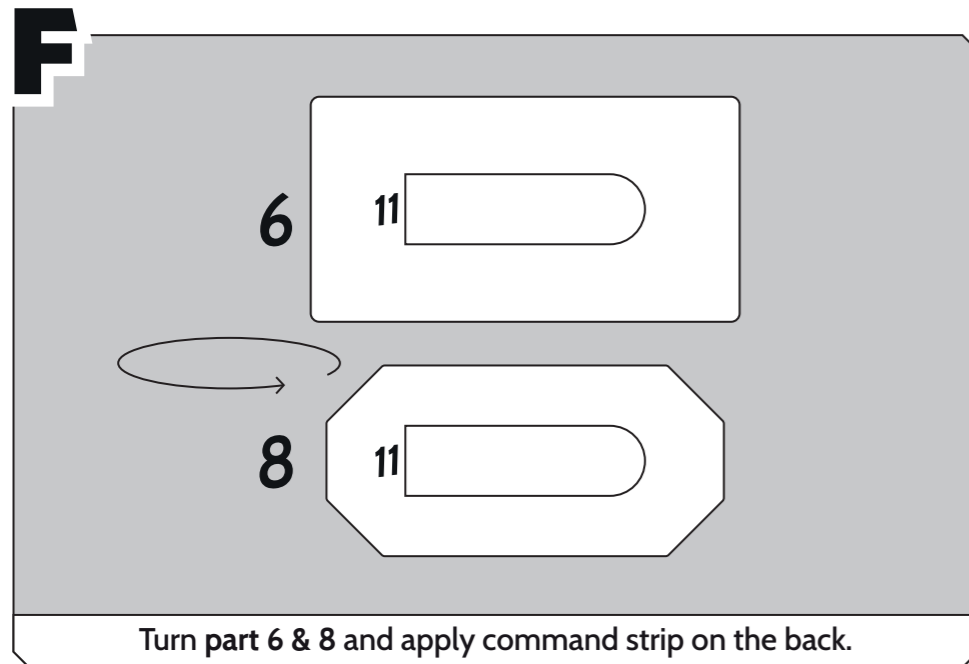
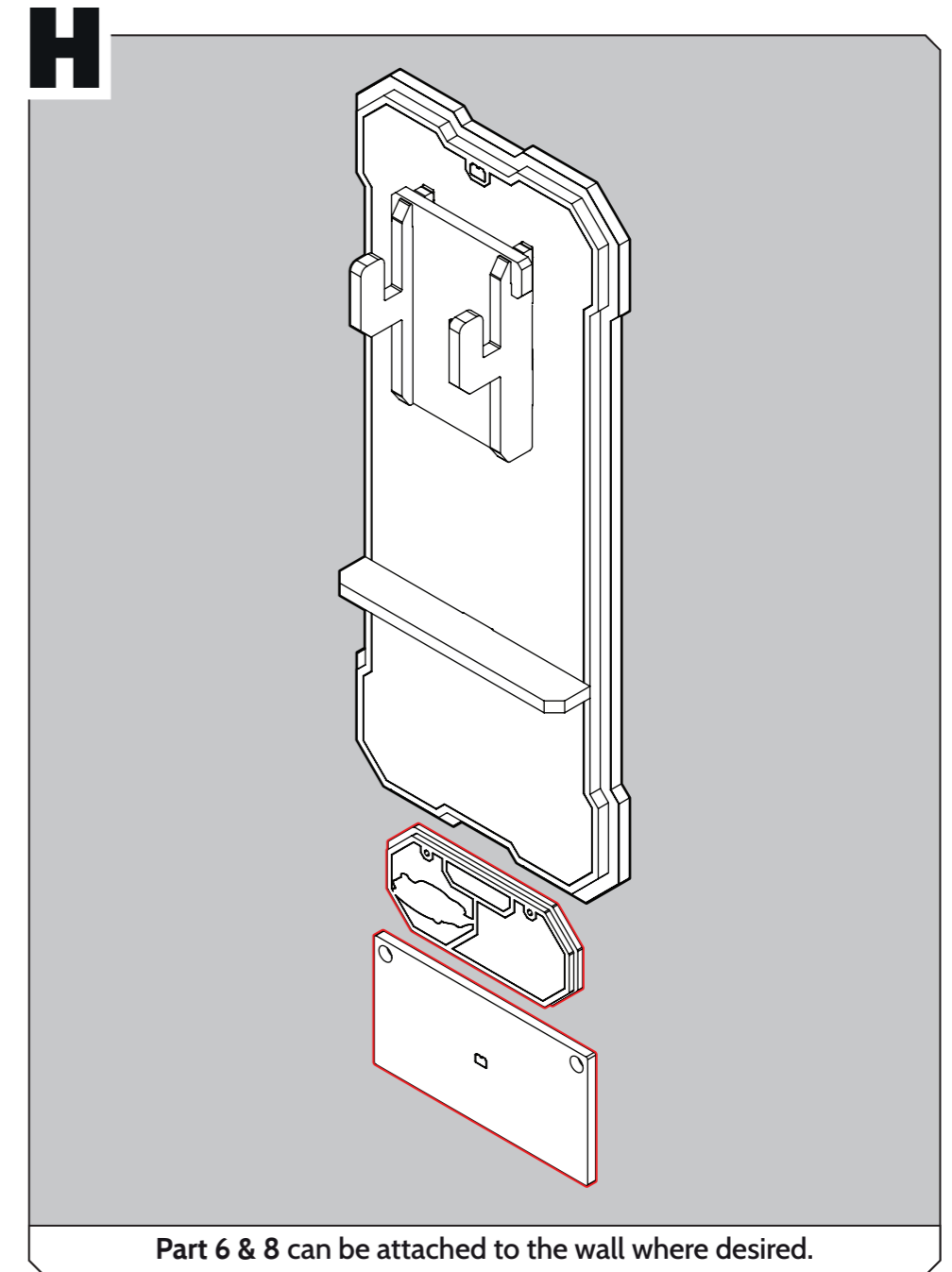
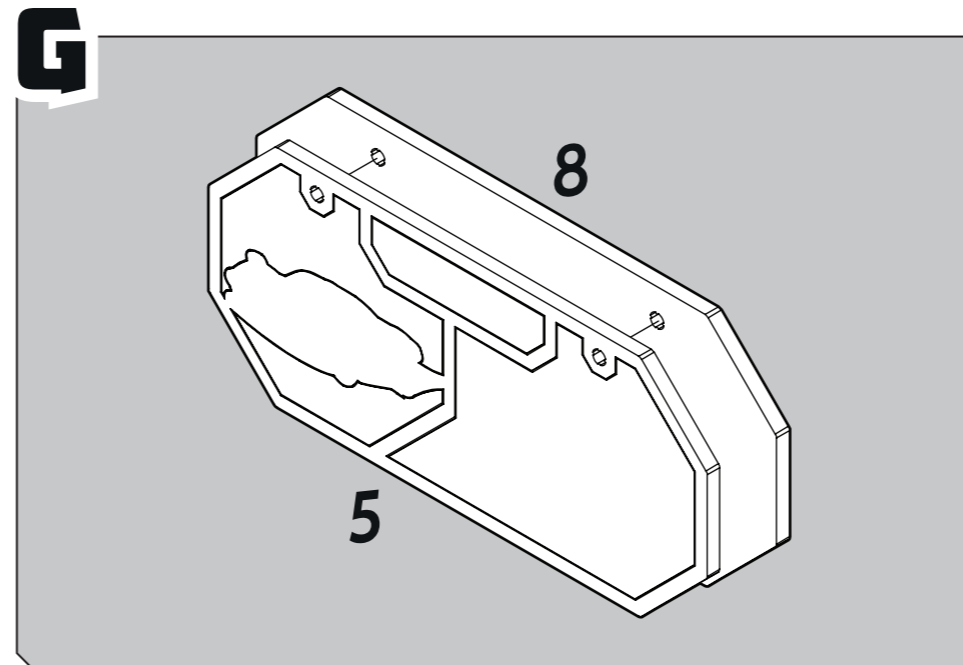
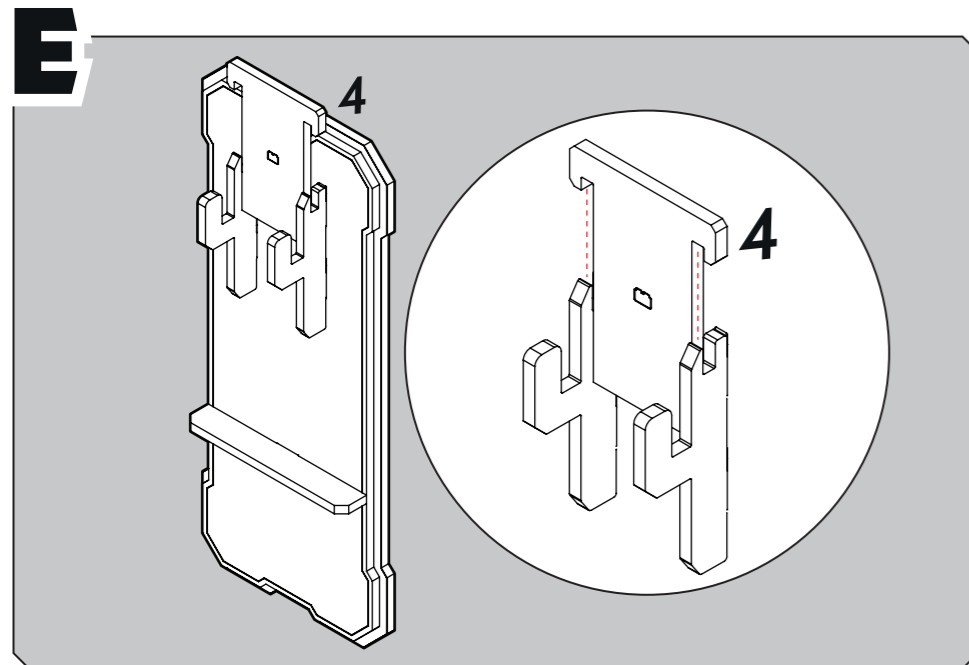
## INSTRUCTIONS FOR: LEGO® Technic Open Wall Mounted Display (.8)

These instructions cover the basic directions for the majority of our LEGO Technic Open Wall mounted Display products.

More specific details will be found on your chosen products website listing.



- 1 - Backplate
- 2 - Add-on
- 3 - Hook stem
- 4 - Back stem
- 5 - Plaque
- 6 - LEGO plaque mount (if applicable)
- 7 - Support stem
- 8 - WB plaque mount
- 9 - Phillip screw & wall plug
- 10 - Felt pads
- 11 - Command strip



Turn part 6 & 8 and apply command strip on the back.

Part 6 & 8 can be attached to the wall where desired.