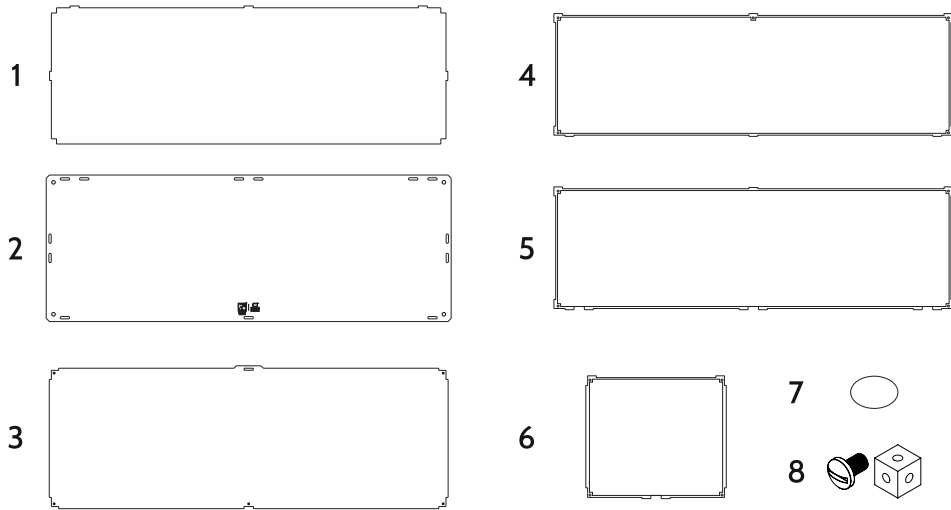




# INSTRUCTIONS FOR: Warhammer Display Cases

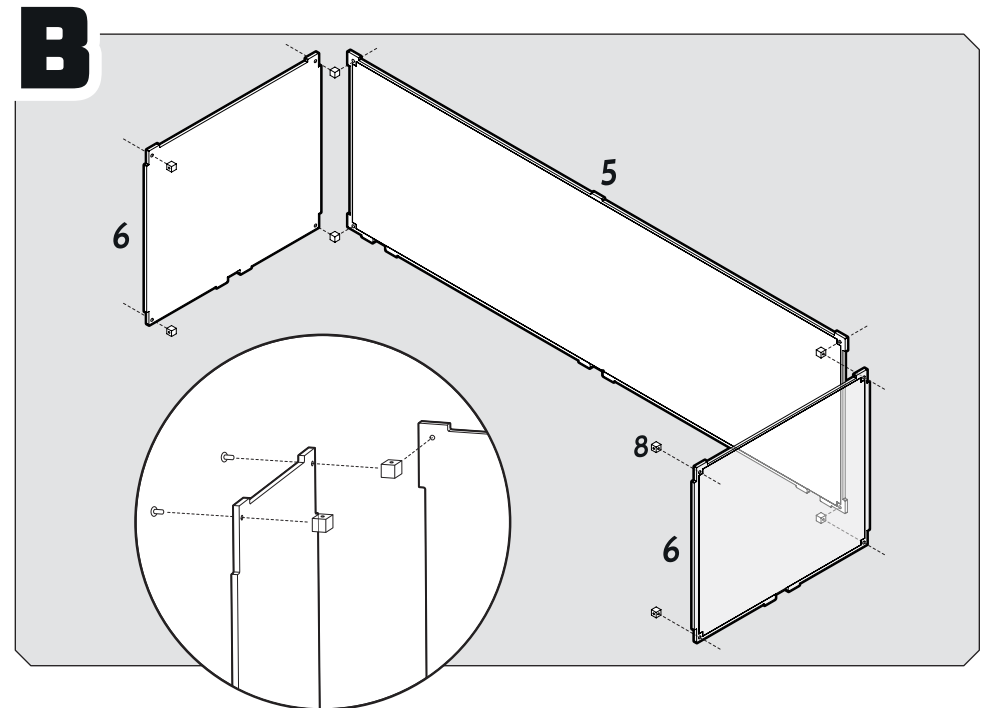
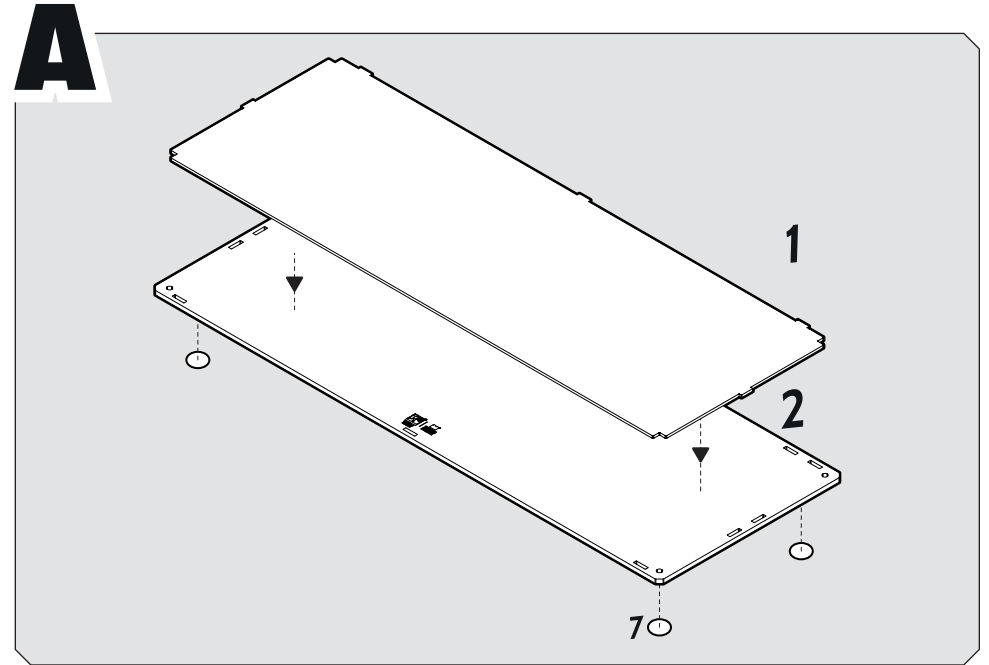
These instructions cover the basic directions for the majority of our Warhammer display case products.

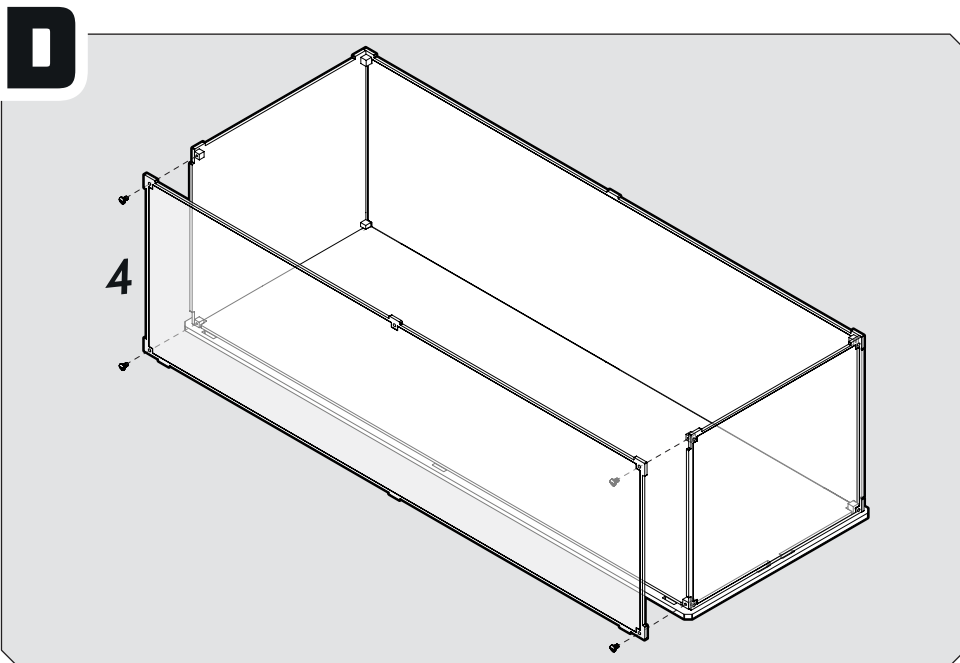
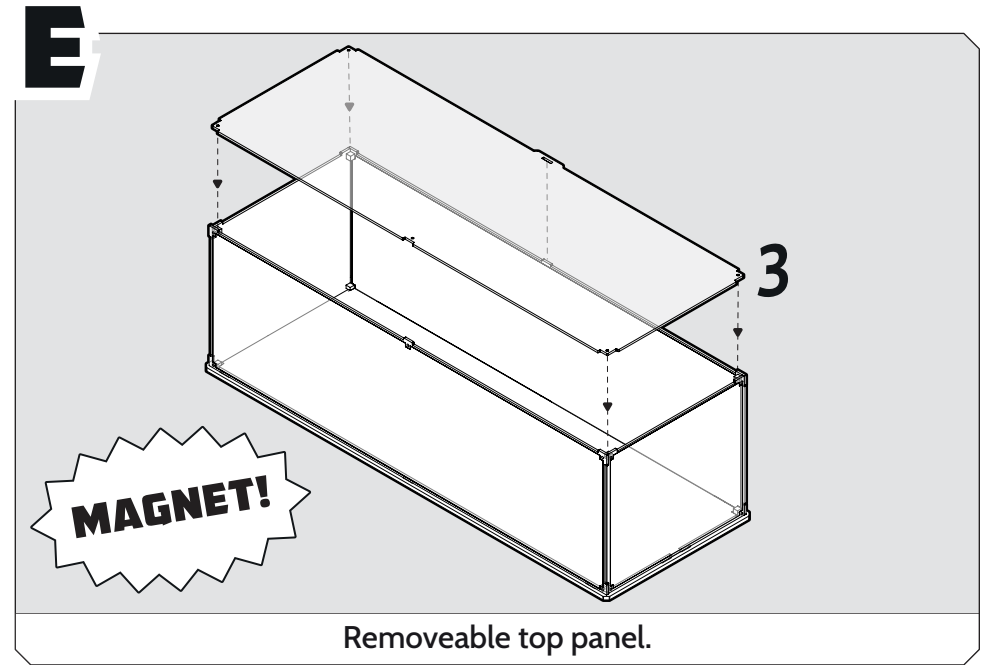
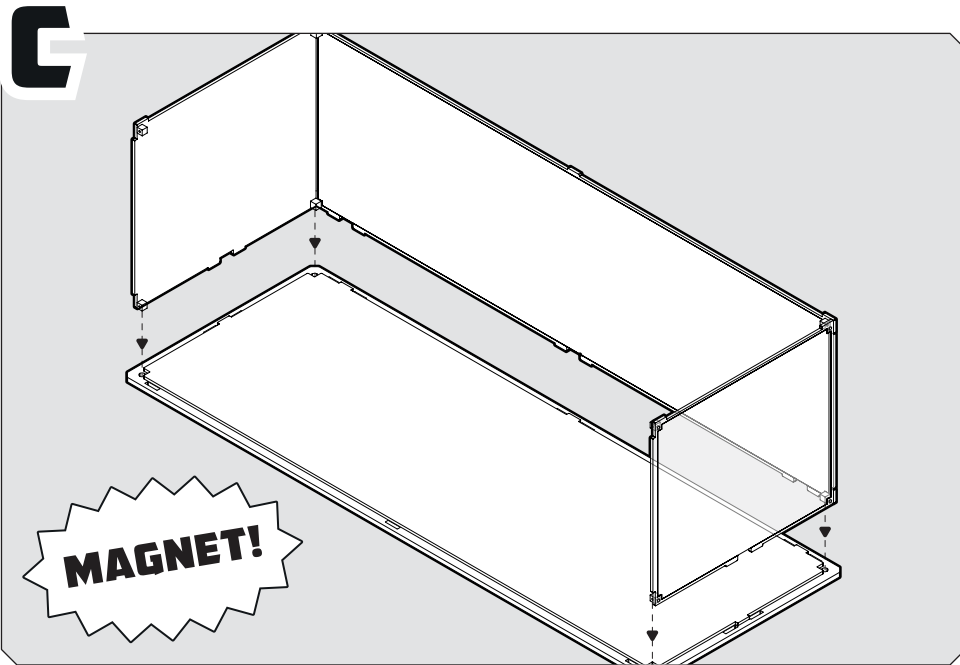


- 1 - Add-on    2 - Base    3 - Top panel    4 - Front panel  
5 - Back panel    6 - Side panel    7 - Felt pads    8 - Cubes & screws

### PLEASE NOTE:

All acrylic parts have protective film applied on both sides. Some pieces appear with slightly translucent film, this will need to be removed before assembly. Ensure all engraved lines face outwards.





## WARNINGS

This product comes in kit form.

No need for any glue, a few clicks and your product set is ready to be displayed!



Material: Acrylic  
Age: 16+  
Choking hazard. Small Parts



Magnet warning: Ensure that children under 6 are not allowed to play with magnets and children over 6 are told about the potential dangers and supervised by an adult who has read and understood these warnings.

If 2 or more magnets are swallowed, they could attract each other through the walls of the intestines, this could cause major swelling, life-threatening injuries and will need surgery to remove them.

Keep a safe distance (50mm +) between magnets and all objects that can be damaged by magnetism.

Copyright © 2024 Wicked Brick. All Rights Reserved.  
Wicked Brick is a limited company registered in the UK. Company Number 10593685

© Copyright Games Workshop Limited 2024. Warhammer and all associated logos are either ® or TM and/or © Games Workshop Limited, variably registered around the world, and used under licence.