



Warhammer case size guide

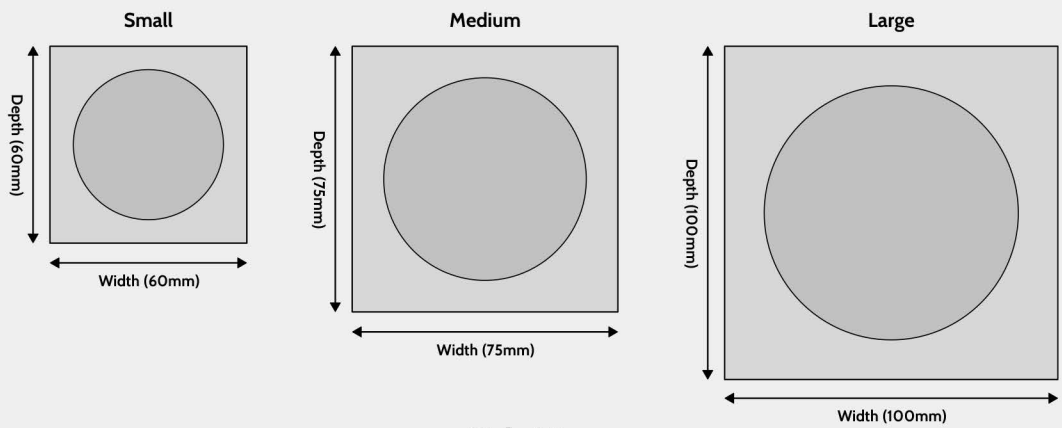
Miniature case sizes

Our miniature cases are designed to hold individual pieces. They have a square base and are available in 3 sizes. Each size has 2 height options.

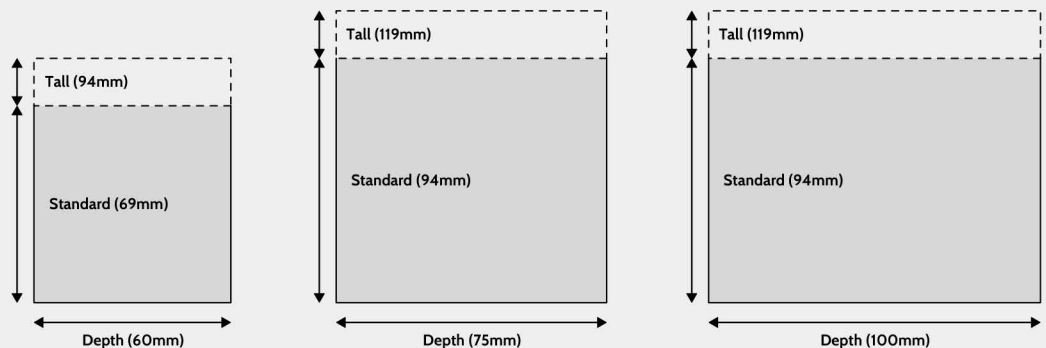


Product shown: WHDS2001.1.5 with a *Primaris Intercessor* miniature.
Internal dimensions are W60 x D60 x H69mm

Top View



Side View



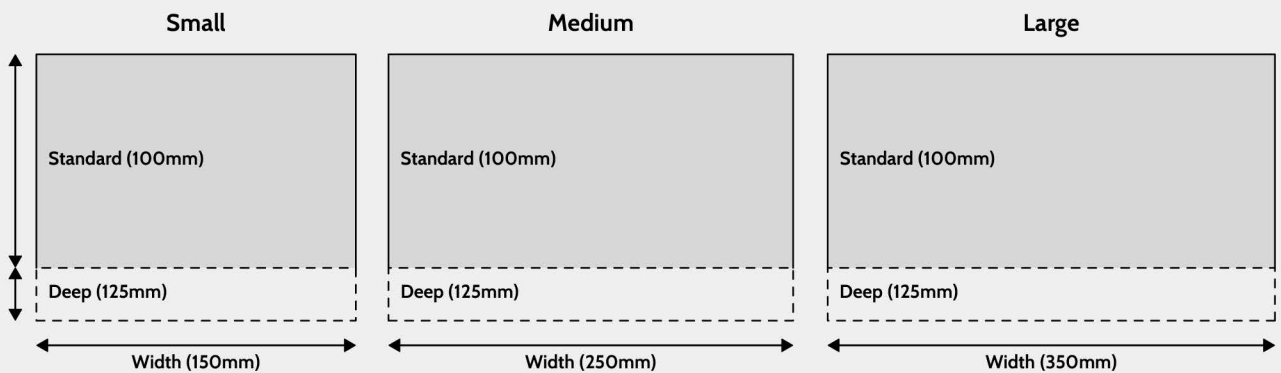
Squad case sizes

Squad cases have a rectangular base, they are available in 3 widths and 2 depths. The heights are standard across the Squad case range at either 94mm or 199mm.

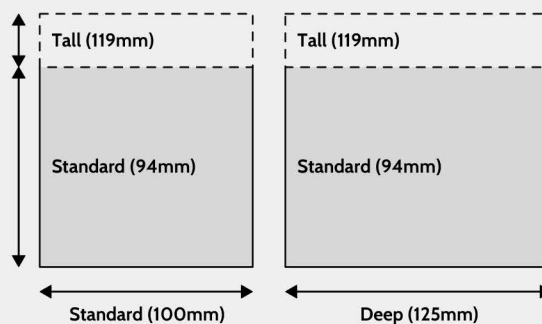


Product shown: WHDS2009.1.5 with 10 *Primaris Intercessor* miniatures*. Internal dimensions are W250 x D100 x H94mm.

Top View



Side View



*Actual number of miniatures per case depends on miniature size and dimensions of case chosen.

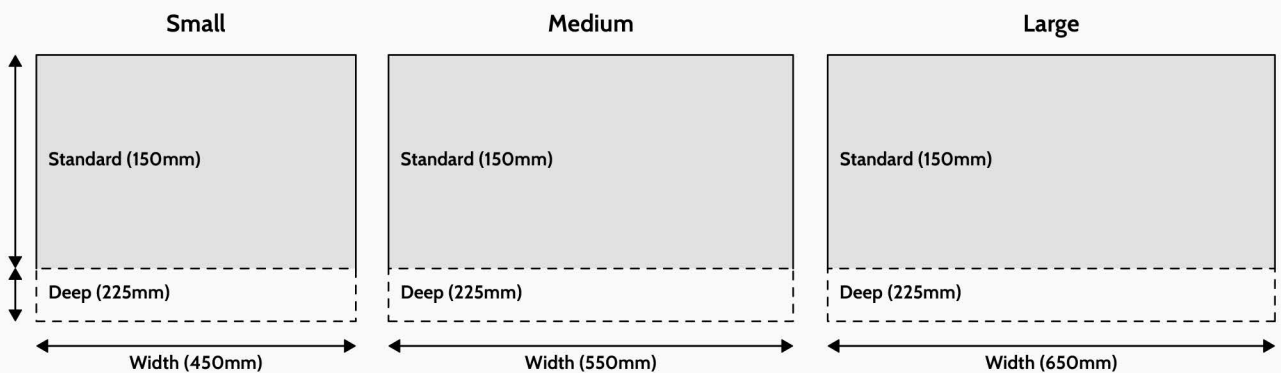
Army case sizes

Army cases have a rectangular base and are available in 3 widths and 2 depths. Each size is available in 2 height options.

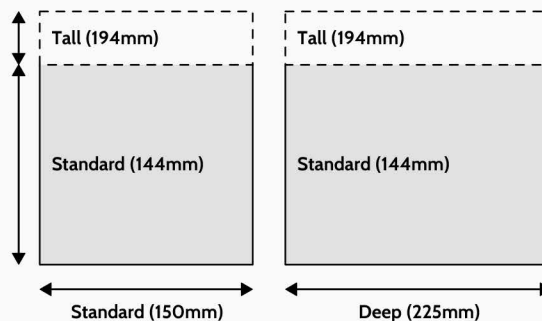


Product shown: WHDS2030.1.5 with; *Primaris Impulsor, Terminators, Captain in Terminator Armour, Primaris Ancient, Primaris Intercessor, Primaris Redeemptor Dreadnought, Librarian in Terminator Armour and Infernus Marines**.
Internal dimensions are W250 x D100 x H94mm

Top View



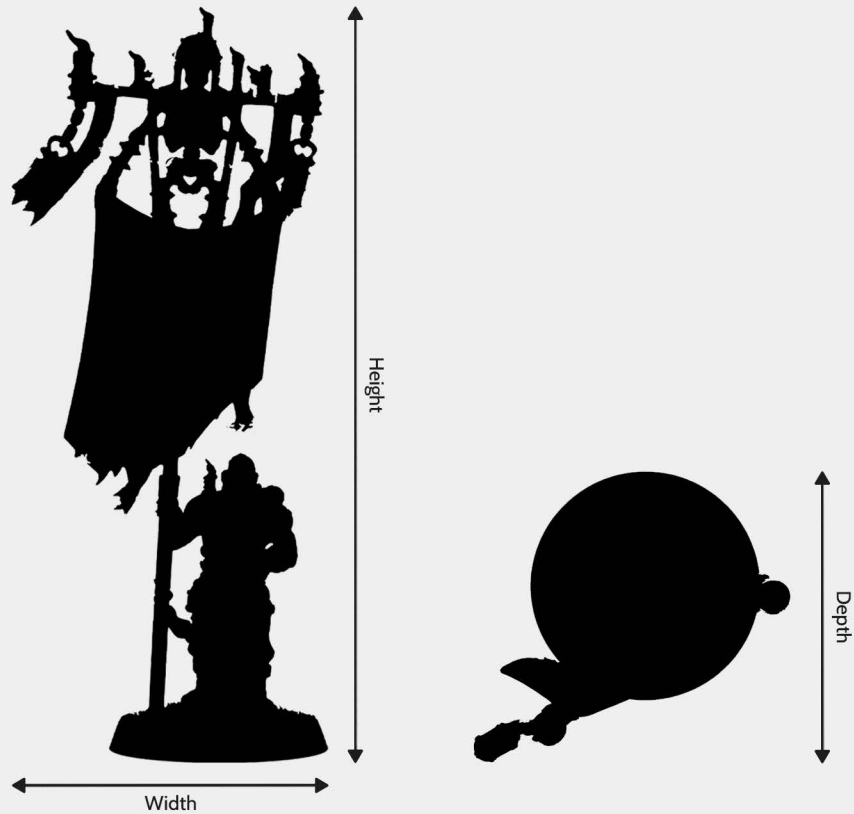
Side View



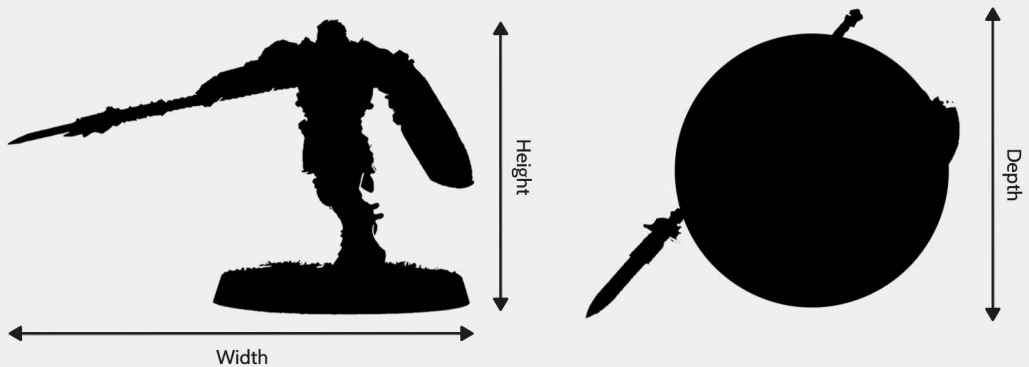
*Actual number of miniatures per case depends on miniature size and dimensions of case chosen.
You can even place larger items in there too to creating a spectacular scene.

How to measure your miniatures

Whilst most miniatures are measured by the base, you need to measure the total dimensions of the figure. This means anything that overhangs the base, from wings to swords and flags to canons. Make sure you measure from point to point. Here are some examples:



Miniature shown from pack: *Grimaldus and Retinue*



Miniature shown: *Stormcast Eternals Vindictor*

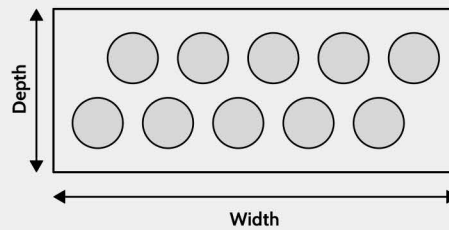
How to measure an entire unit

When you want to display more than one miniature in a case, you should set the miniatures out in the layout you would like them displayed. Measure the overall width and depth, taking into account the overhang of the miniatures on their base.

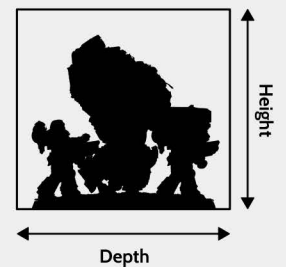
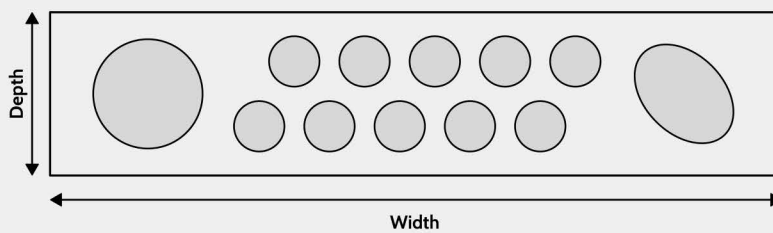
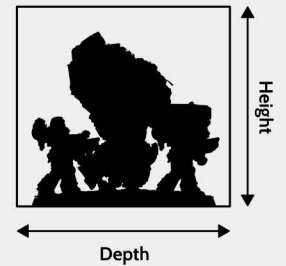
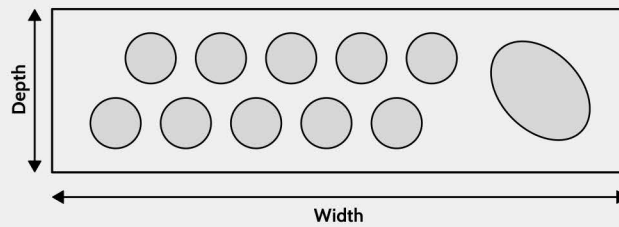
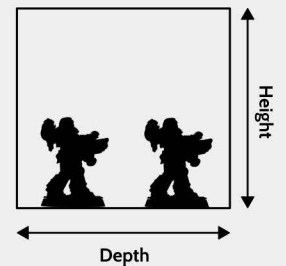
Once you have the dimensions and are happy with the layout, measure the height of the tallest miniature you are wishing to display. This will dictate the height of the case you need.

You can match your dimensions to our products using the handy table of sizes below.

Top View



Side View



Internal Product Dimensions

Product	Width	mm	Depth	mm	Height	mm
Miniature	Small	60	60		Standard	69
					Tall	94
	Medium	75	75		Standard	94
					Tall	119
	Large	100	100		Standard	94
					Tall	119
Squad	Small	150	Standard	100	Standard	94
					Tall	119
		150	Deep	125	Standard	94
					Tall	119
	Medium	250	Standard	100	Standard	94
					Tall	119
		250	Deep	125	Standard	94
					Tall	119
	Large	350	Standard	100	Standard	94
					Tall	119
		350	Deep	125	Standard	94
					Tall	119
Army	Small	450	Standard	150	Standard	144
					Tall	194
		450	Deep	225	Standard	144
					Tall	194
	Medium	550	Standard	150	Standard	144
					Tall	194
		550	Deep	225	Standard	144
					Tall	194
	Large	650	Standard	150	Standard	144
					Tall	194
		650	Deep	225	Standard	144
					Tall	194