

**WICKED  
BRICK**

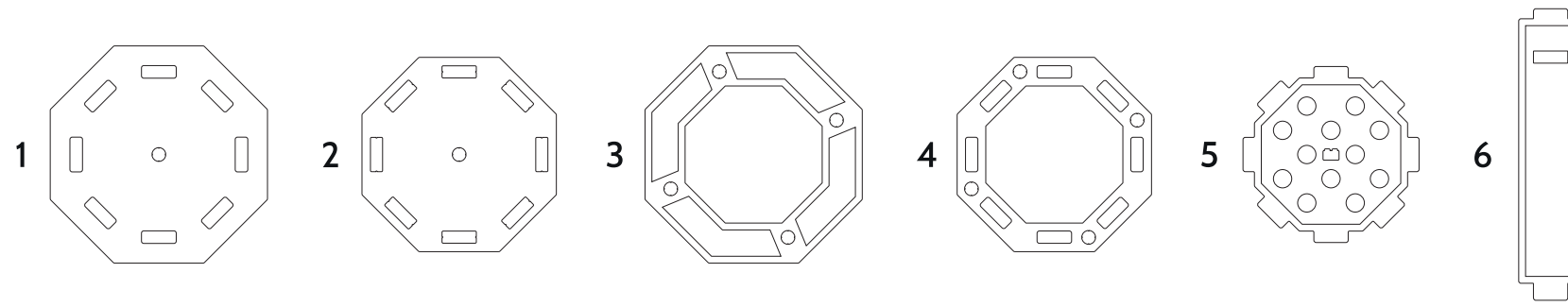
**PLEASE NOTE:**  
All acrylic parts have protective  
film applied on both sides.

Some pieces appear with  
slightly translucent film, this  
will need to be removed  
before assembly.

Ensure all engraved  
lines face outwards.

# INSTRUCTIONS FOR: LEGO® Flowers Display Vase

The process shown here remains the same for both the small & large display vase's.



- 1 - Baseplate
- 2 - Baseplate add-on
- 3 - Lid
- 4 - Lid add-on
- 5 - Middle plate
- 6 - Stems (x8)

