



# WICKED BRICK

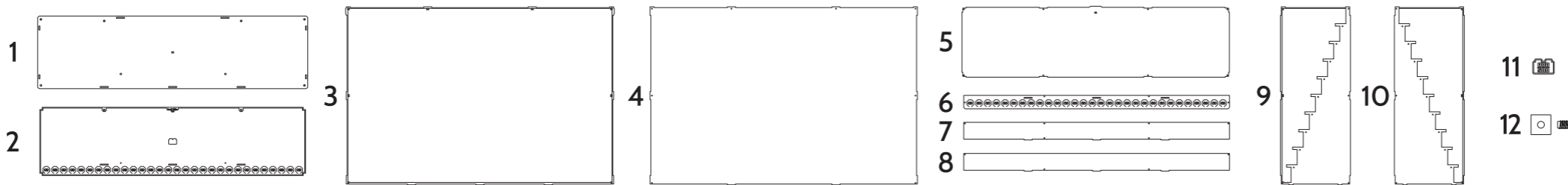
**PLEASE NOTE:**  
All acrylic parts have protective film applied on both sides.

Some pieces appear with slightly translucent film, this will need to be removed before assembly.

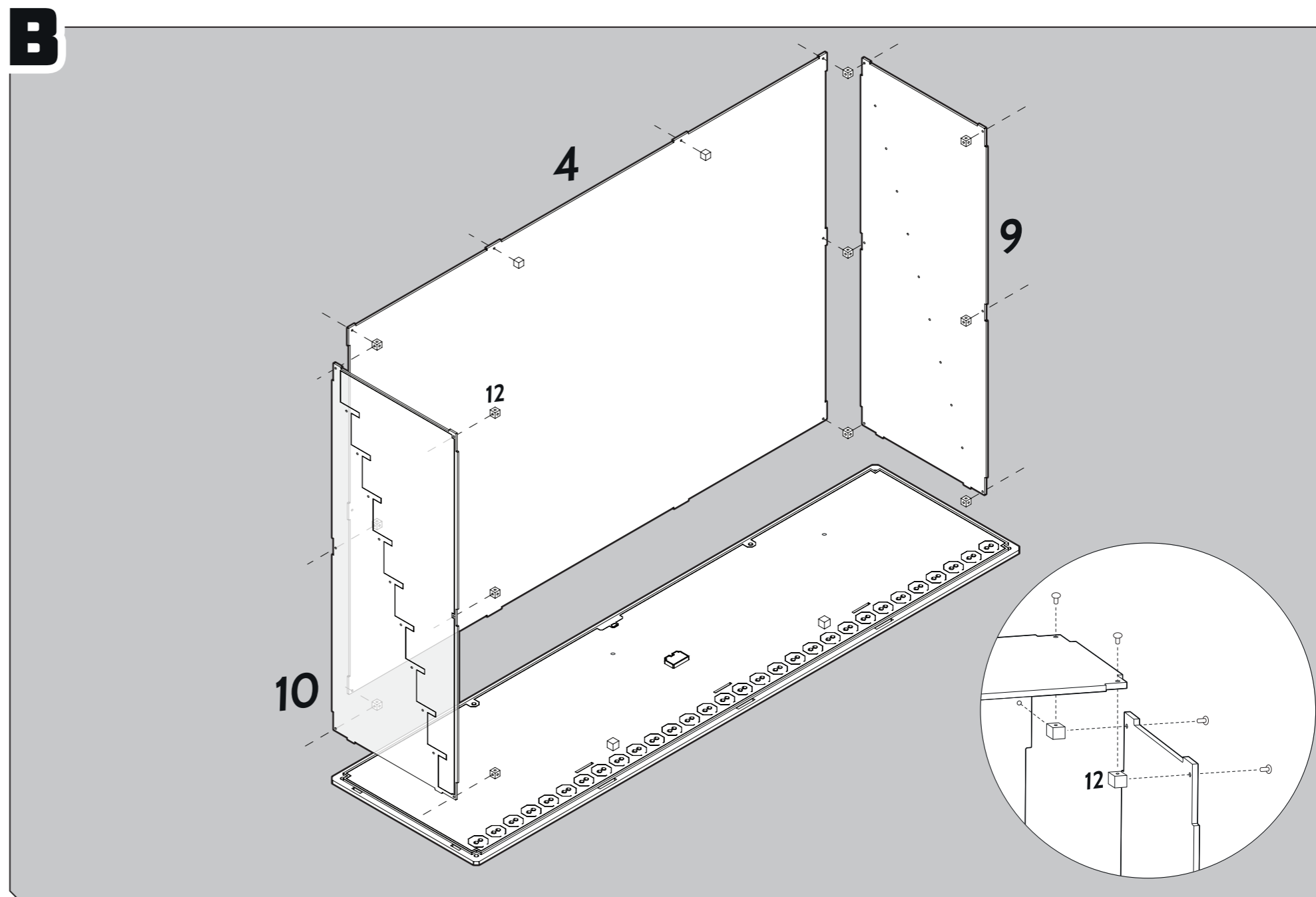
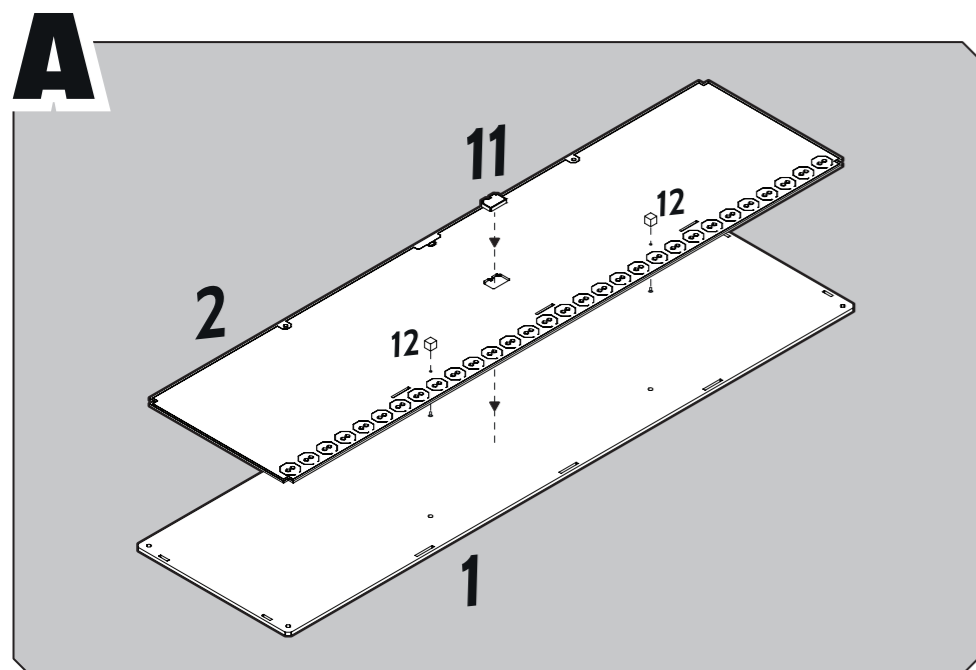
Ensure all engraved lines face outwards.

## INSTRUCTIONS FOR: Limited Edition LEGO® Minifigure display case

LDS587.1.5



- 1 - Base
- 2 - Add-on
- 3 - Front panel
- 4 - Back panel
- 5 - Lid
- 6 - Shelf
- 7 - Top back plate
- 8 - Back plate
- 9 - Right panel
- 10 - Left panel
- 11 - Brick
- 12 - Cubes & screws  
(27 Boxes)





# WICKED BRICK

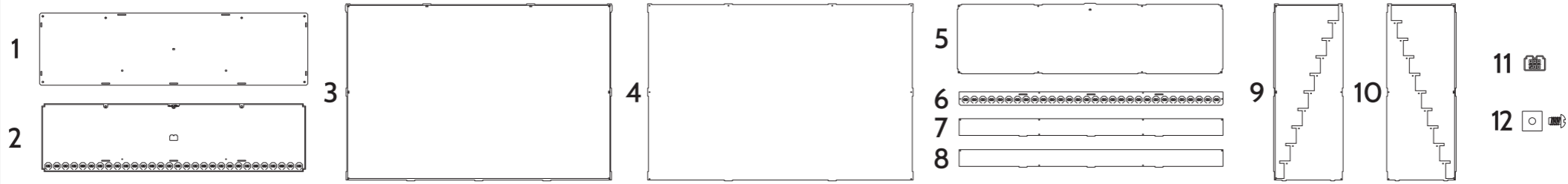
**PLEASE NOTE:**  
All acrylic parts have protective film applied on both sides.

Some pieces appear with slightly translucent film, this will need to be removed before assembly.

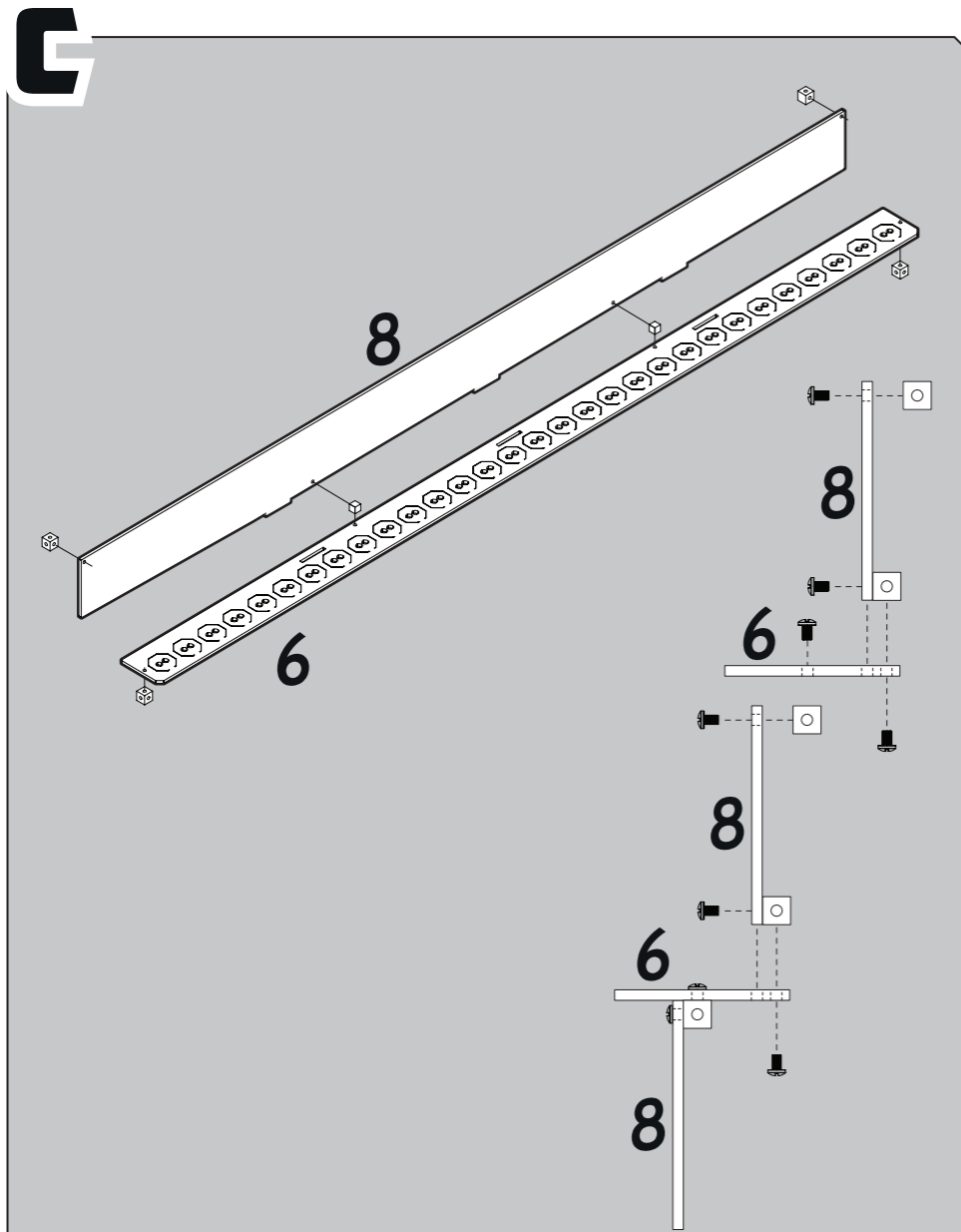
Ensure all engraved lines face outwards.

## INSTRUCTIONS FOR: Limited Edition LEGO® Minifigure display case

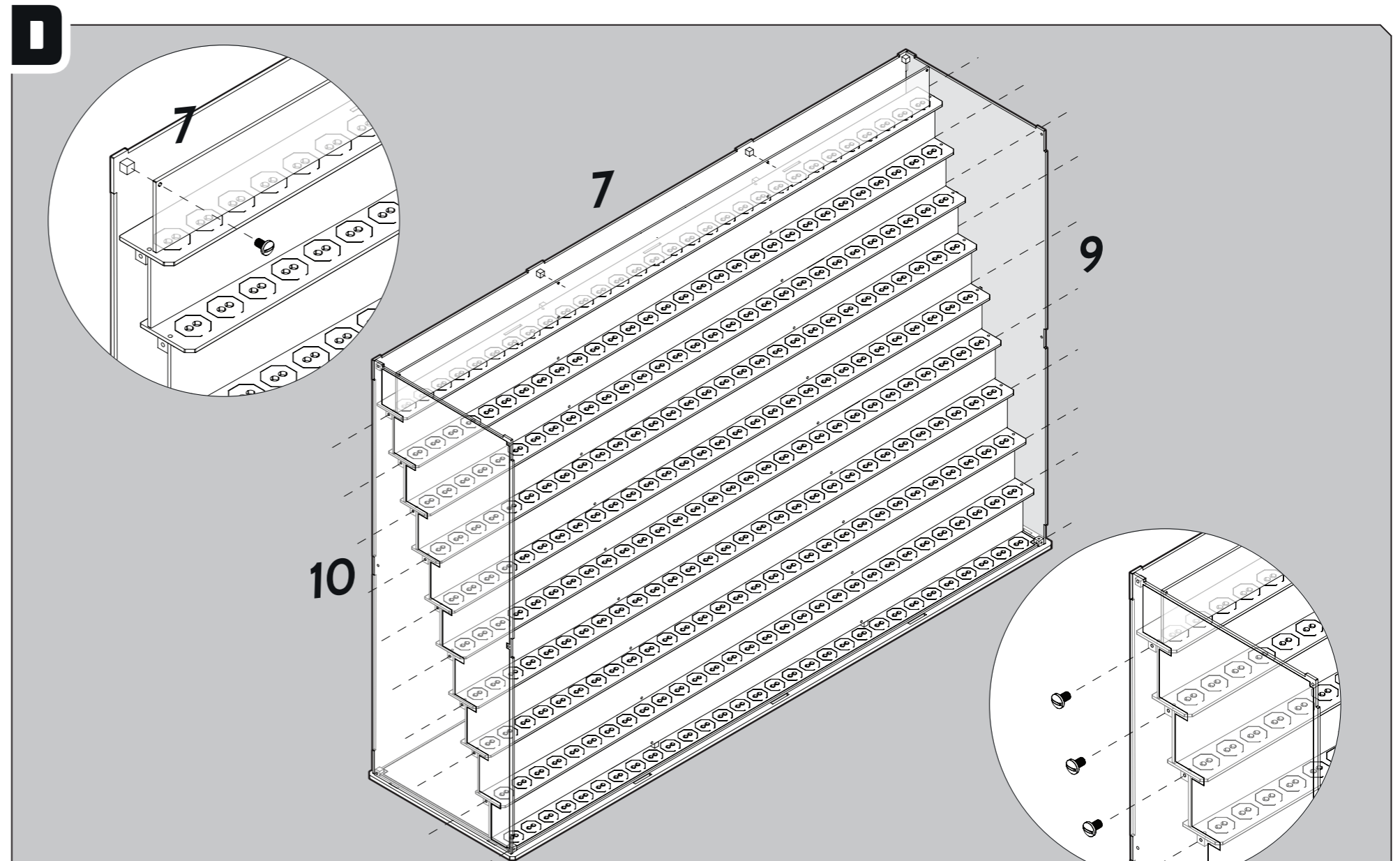
LDS587.1.5



- 1 - Base
- 2 - Add-on
- 3 - Front panel
- 4 - Back panel
- 5 - Lid
- 6 - Shelf
- 7 - Top back plate
- 8 - Back plate
- 9 - Right panel
- 10 - Left panel
- 11 - Brick
- 12 - Cubes & screws (27 Boxes)



Attach one part 8 to the cubes on the add-on. Once complete, follow the illustration above for all shelves and once built, screw parts loosely into parts 9 and 10.



Once all the shelves are attached, tighten the screws on the side panels. After, part 7 will need to be placed at the top. This piece is unique and attaches via magnets and screws.



# WICKED BRICK

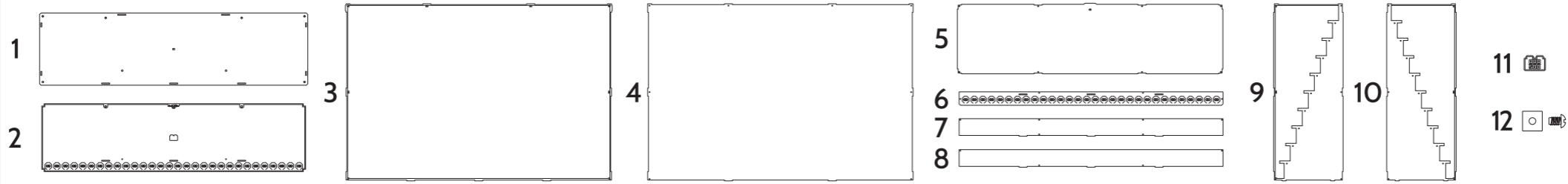
**PLEASE NOTE:**  
All acrylic parts have protective film applied on both sides.

Some pieces appear with slightly translucent film, this will need to be removed before assembly.

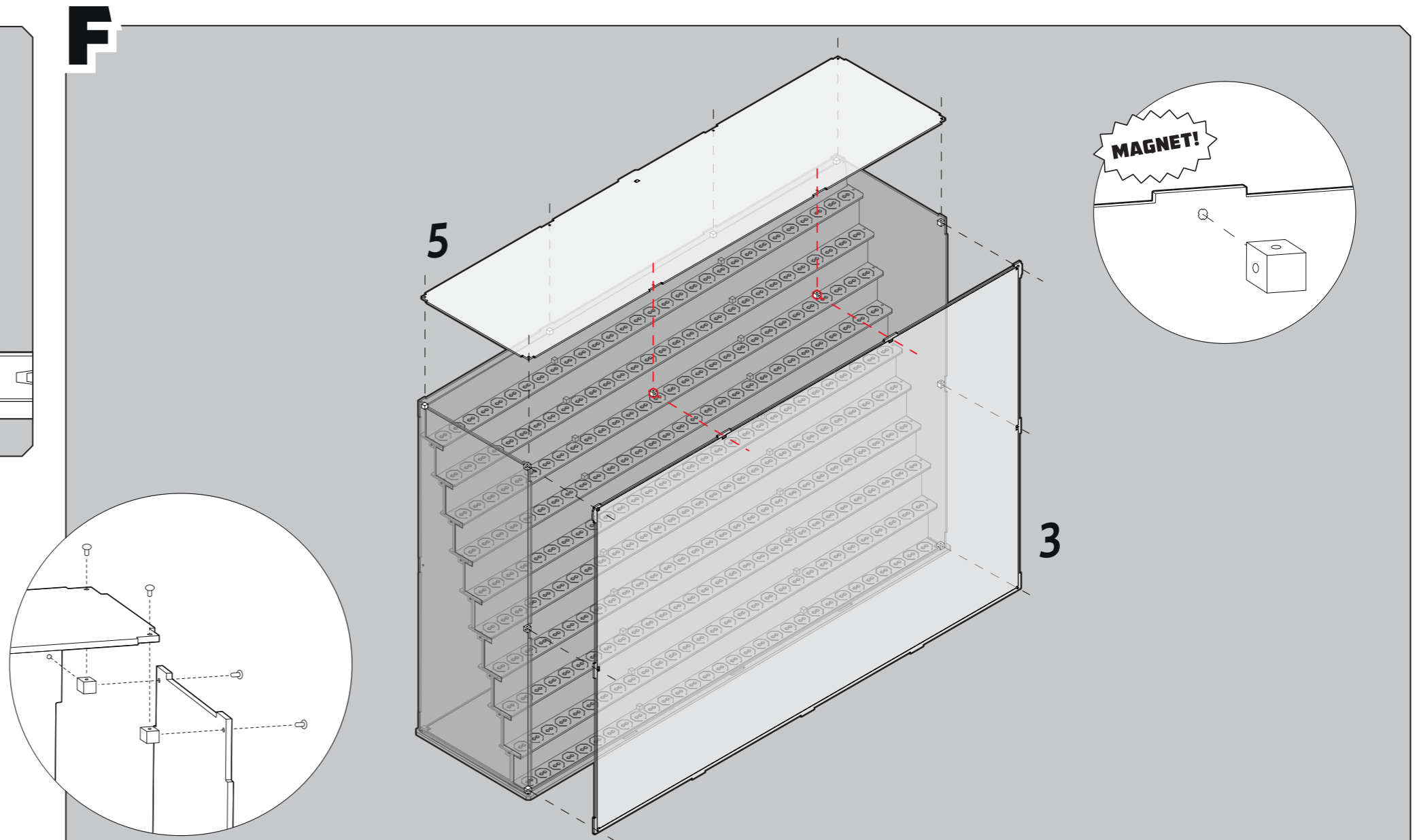
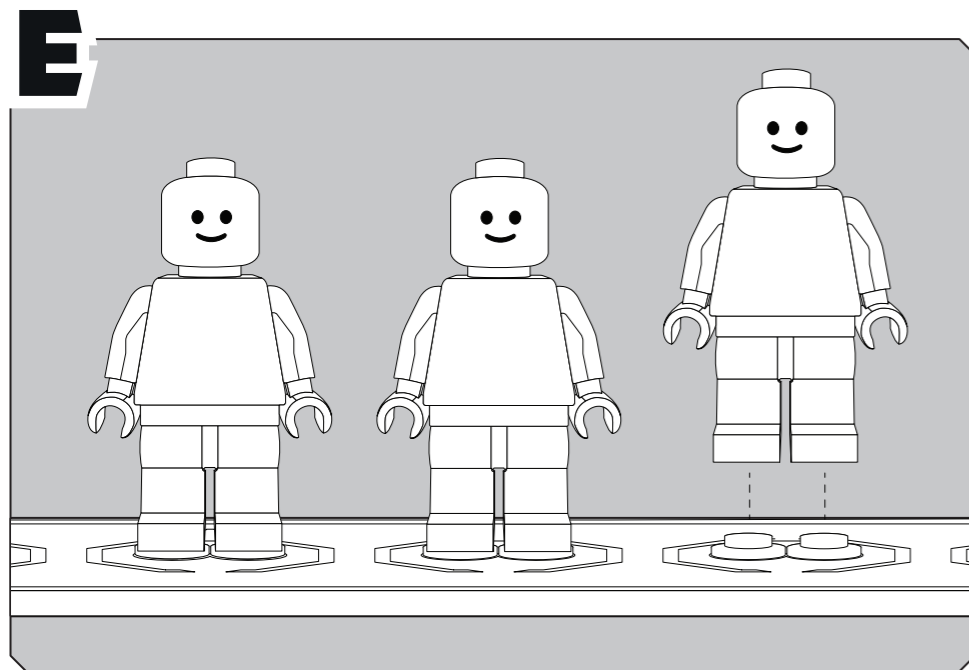
Ensure all engraved lines face outwards.

## INSTRUCTIONS FOR: Limited Edition LEGO® Minifigure display case

LDS587.1.5



- 1 - Base
- 2 - Add-on
- 3 - Front panel
- 4 - Back panel
- 5 - Lid
- 6 - Shelf
- 7 - Top back plate
- 8 - Back plate
- 9 - Right panel
- 10 - Left panel
- 11 - Brick
- 12 - Cubes & screws (27 Boxes)



Attach part 3 onto the front of the case before attaching part 5. The areas highlighted in red require screws when connecting the cubes. The remaining cubes are connected via magnets already in parts 3 & 5.