

**WICKED  
BRICK**

**PLEASE NOTE:**

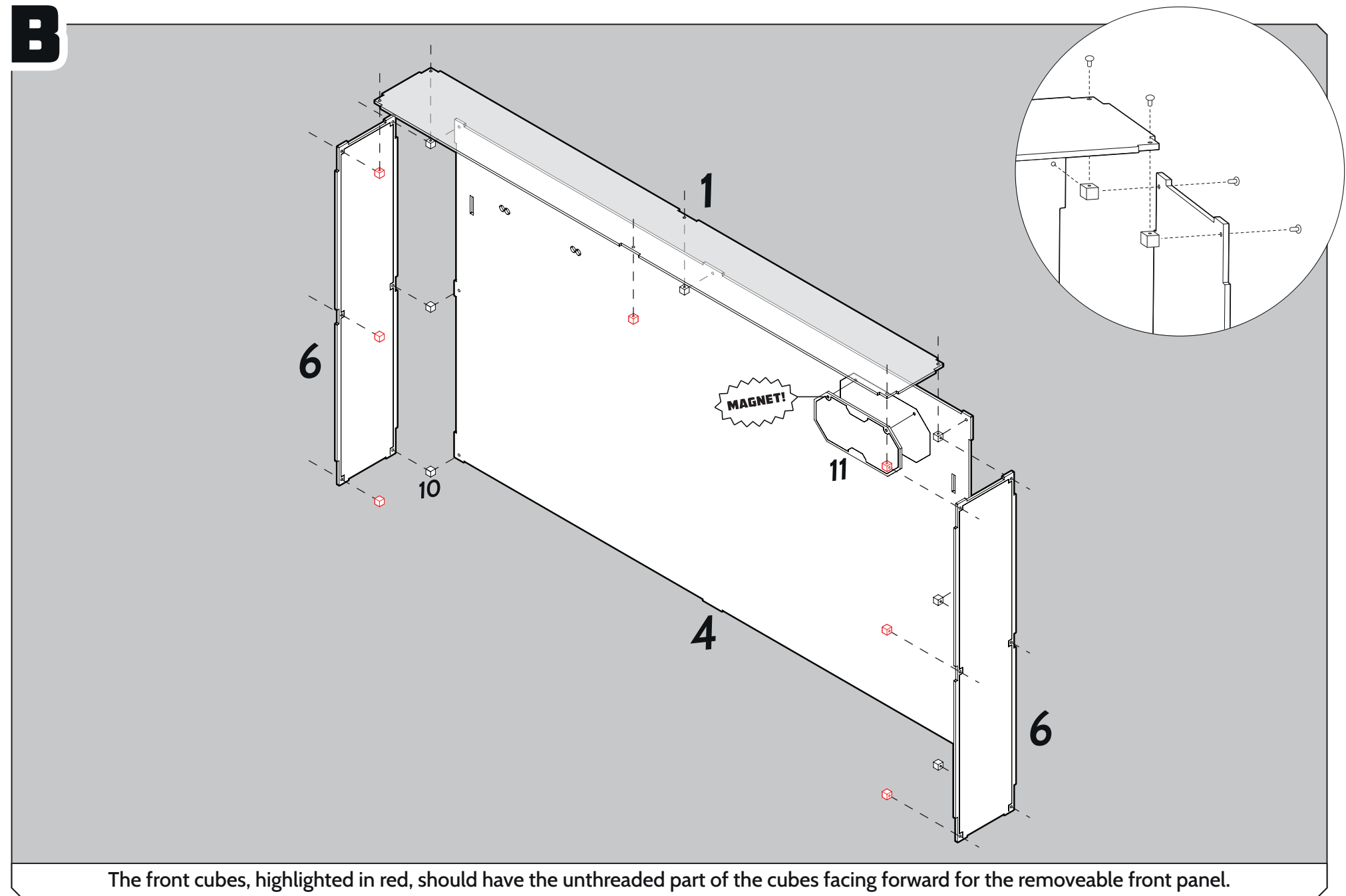
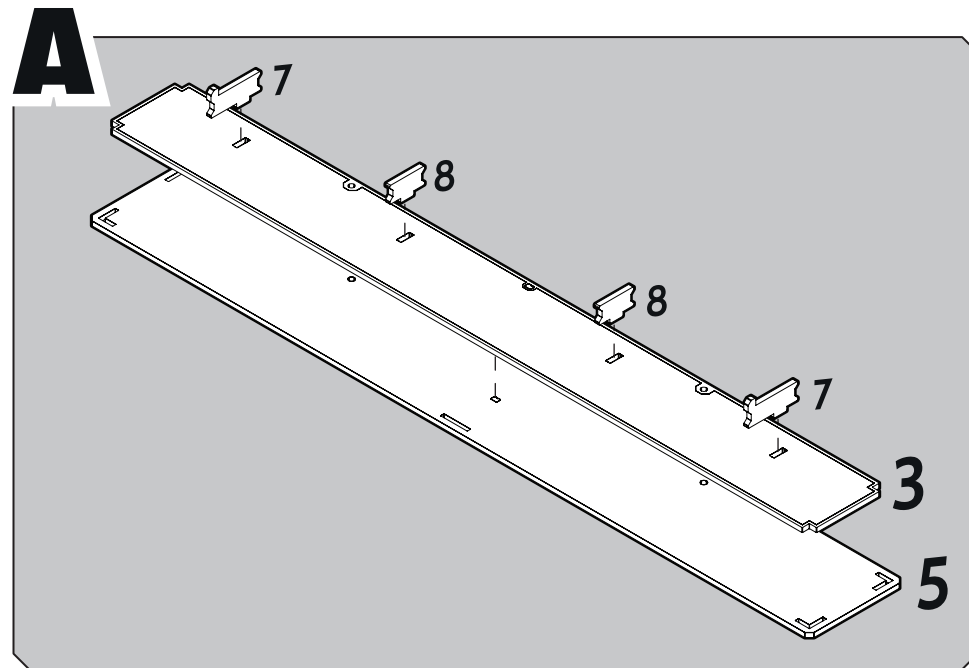
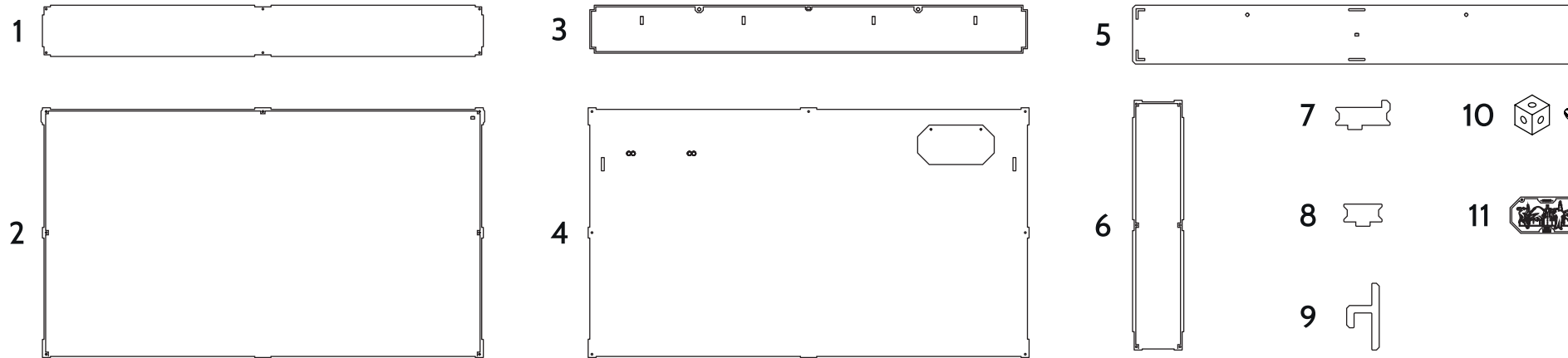
All acrylic parts have protective film applied on both sides.

Some pieces appear with slightly translucent film, this will need to be removed before assembly.

Ensure all engraved lines face outwards.

# INSTRUCTIONS FOR: LEGO® DC Batman: The Animated Series Gotham City display case

LDS677.1.7



The front cubes, highlighted in red, should have the unthreaded part of the cubes facing forward for the removeable front panel.



**WICKED  
BRICK**

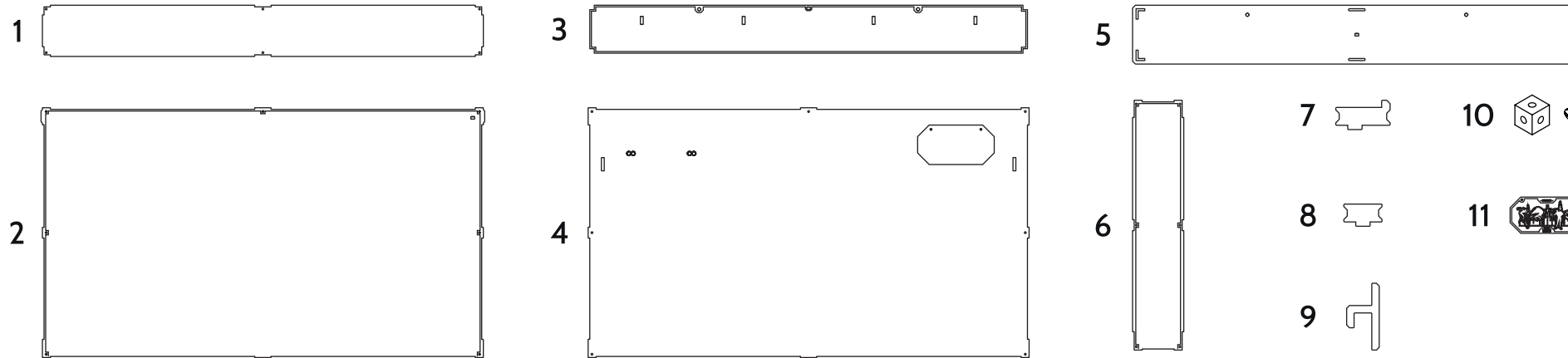
**PLEASE NOTE:**  
All acrylic parts have protective  
film applied on both sides.

Some pieces appear with  
slightly translucent film, this  
will need to be removed  
before assembly.

Ensure all engraved  
lines face outwards.

# INSTRUCTIONS FOR: LEGO® DC Batman: The Animated Series Gotham City display case

LDS677.1.7



- 1 - Top panel
- 2 - Front panel
- 3 - Add-on
- 4 - Back panel
- 5 - Base
- 6 - Side panel
- 7 - Stem 1
- 8 - Stem 2
- 9 - Hook
- 10 - Cubes & screws
- 11 - Plaque

