



**WICKED
BRICK**

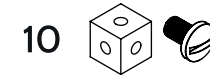
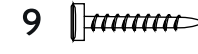
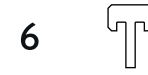
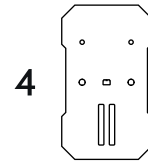
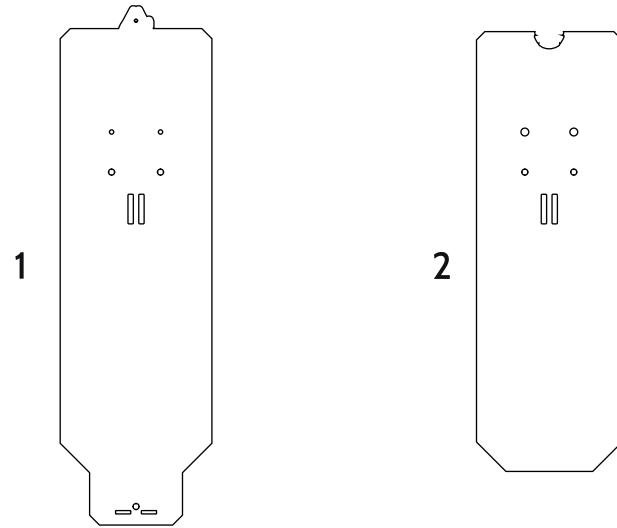
PLEASE NOTE:
All acrylic parts have protective film applied on both sides.

Some pieces appear with slightly translucent film, this will need to be removed before assembly.

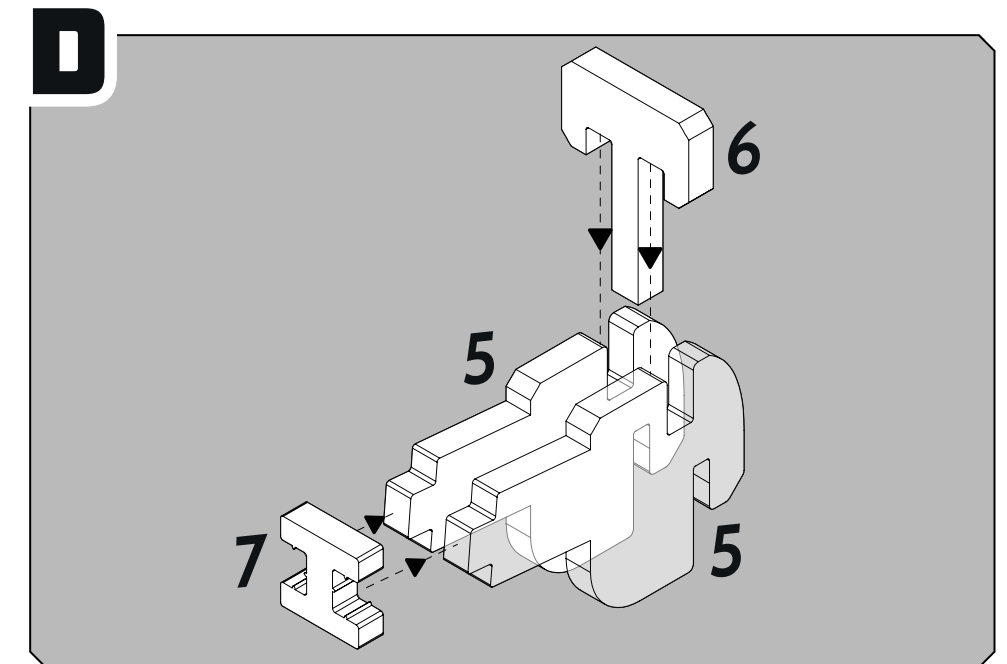
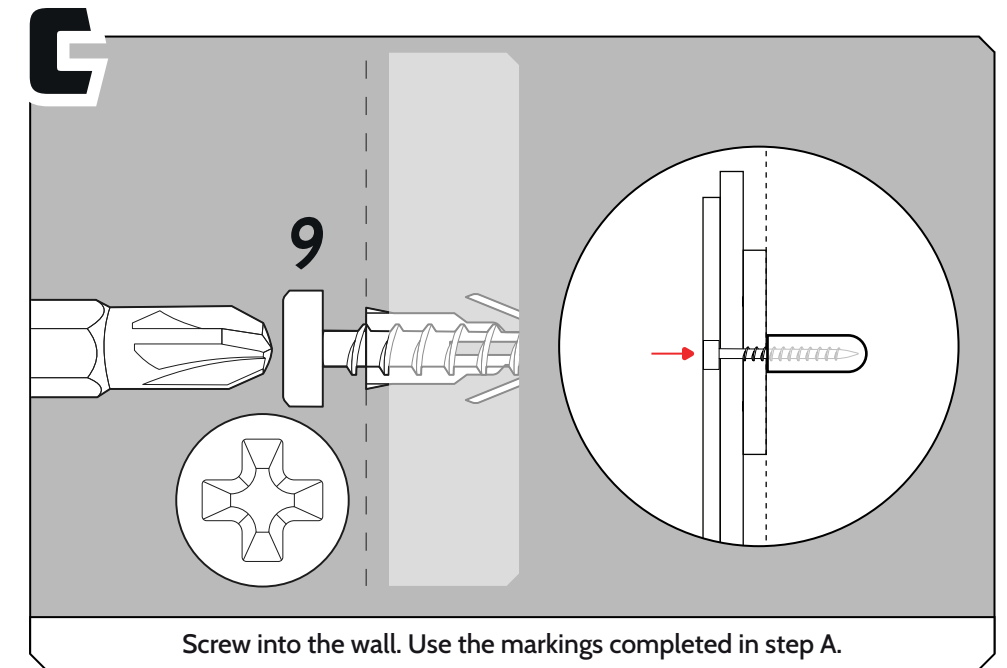
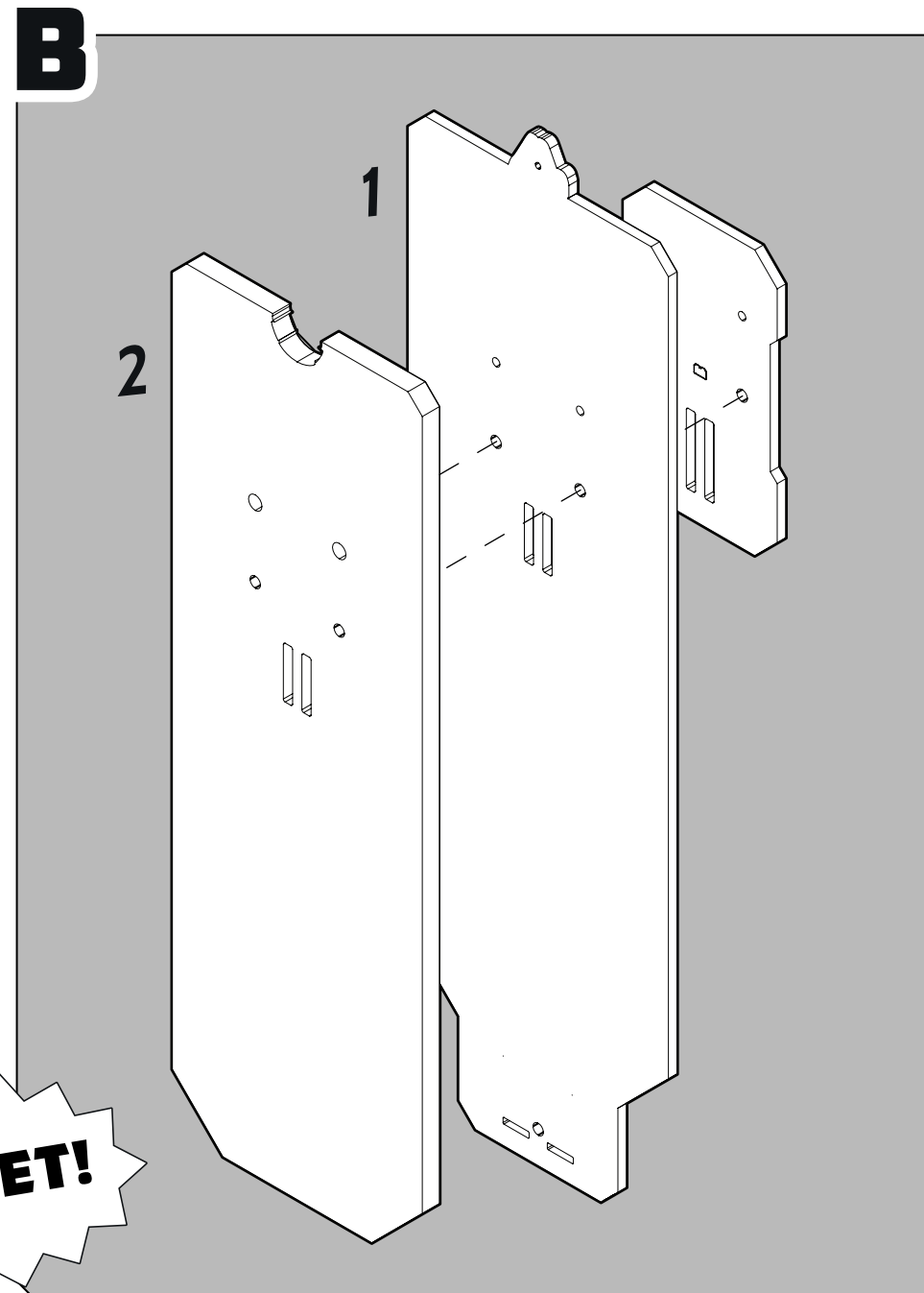
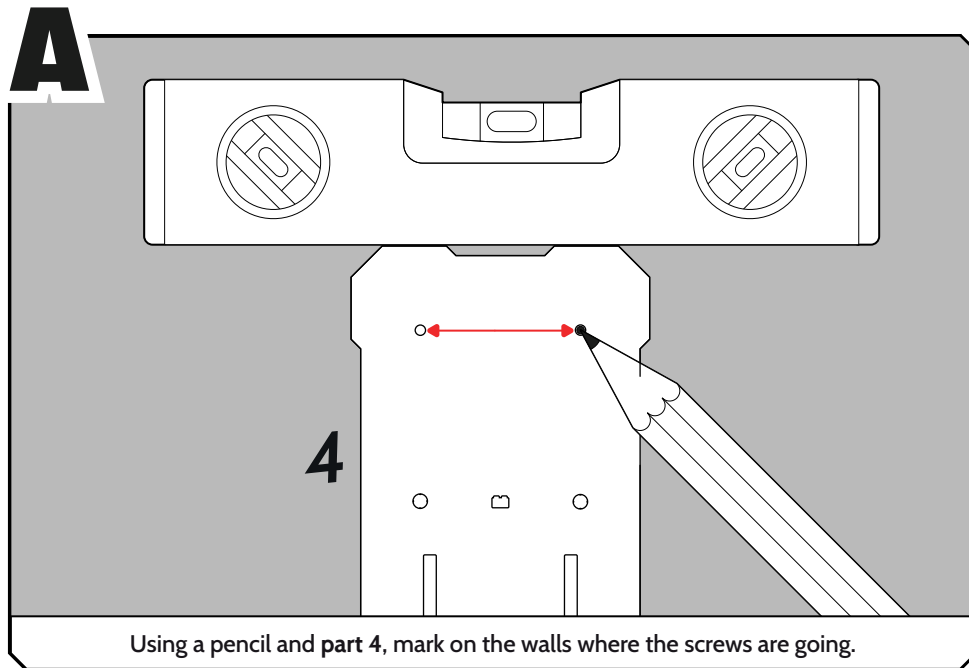
Ensure all engraved lines face outwards.

INSTRUCTIONS FOR: LEGO® Midi-scale Millennium Falcon open wall mount display

LDS676.1.11



- 1 - Backplate 1
- 2 - Add-on
- 3 - Shelf
- 4 - Backplate 2
- 5 - Side stem
- 6 - Support stem
- 7 - Top plate
- 8 - No. Identifier
- 9 - Flat head screw
- 10 - Cube & screws





**WICKED
BRICK**

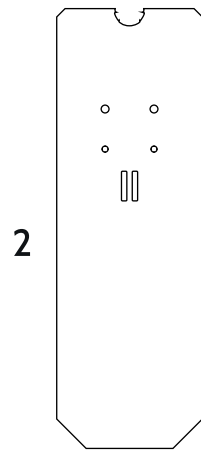
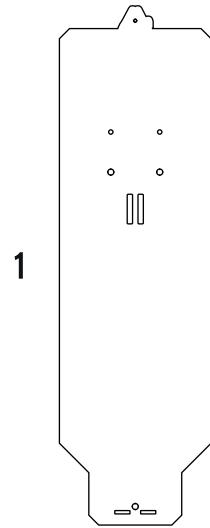
PLEASE NOTE:
All acrylic parts have protective film applied on both sides.

Some pieces appear with slightly translucent film, this will need to be removed before assembly.

Ensure all engraved lines face outwards.

INSTRUCTIONS FOR: LEGO® Midi-scale Millennium Falcon open wall mount display

LDS676.1.11



1 - Backplate 1

6 - Support stem

2 - Add-on

7 - Top plate

3 - Shelf

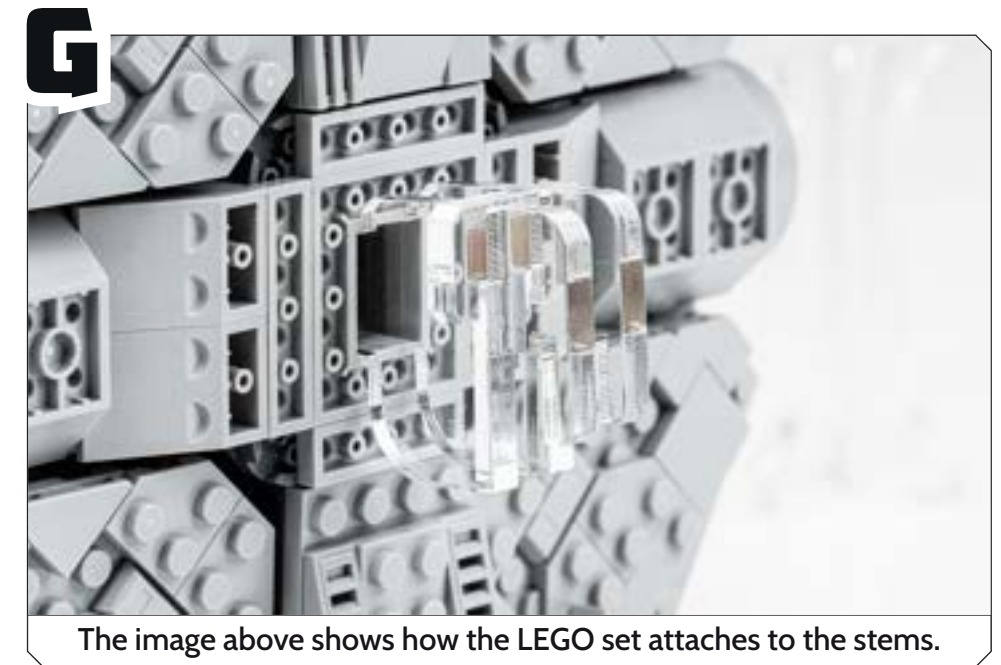
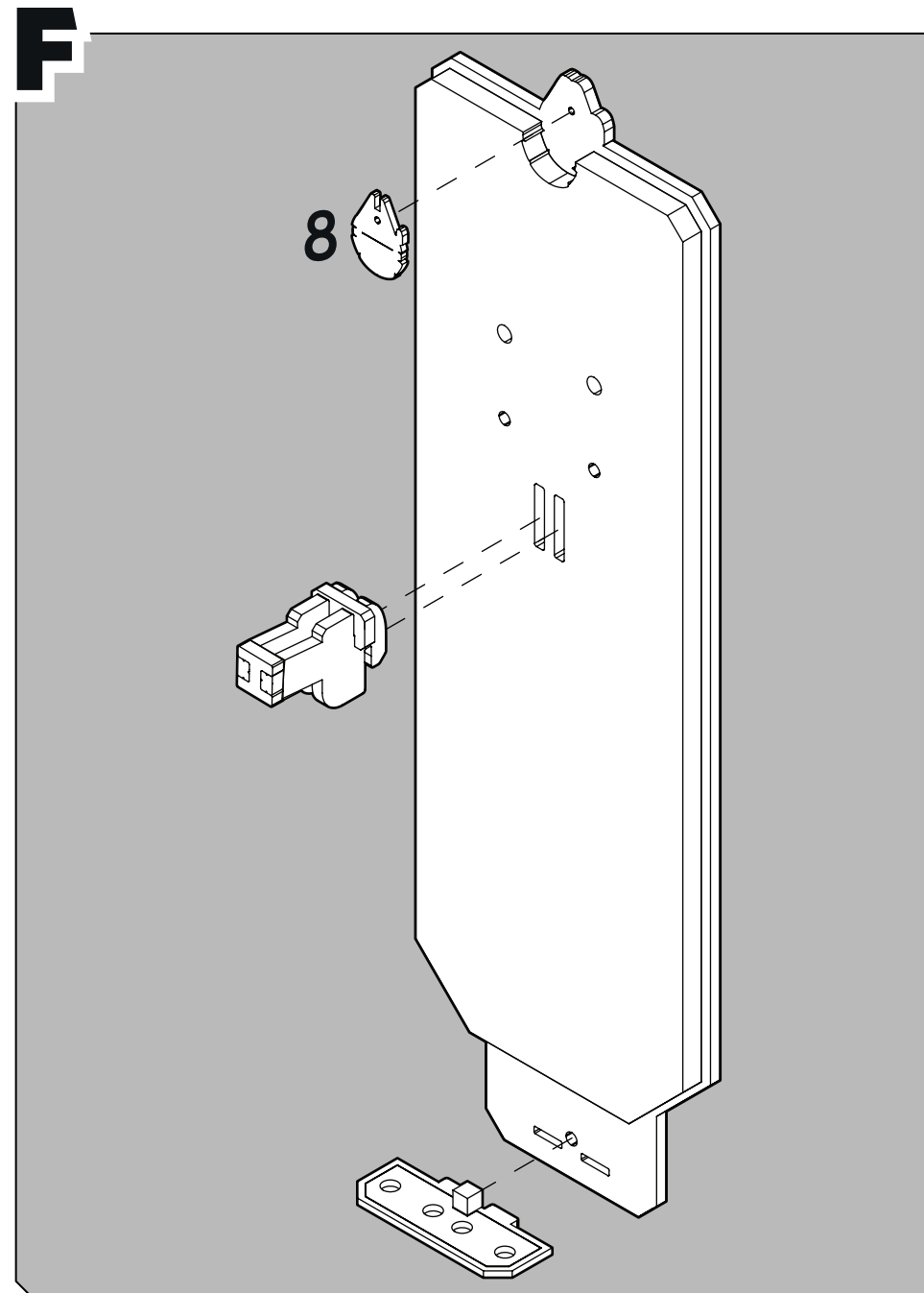
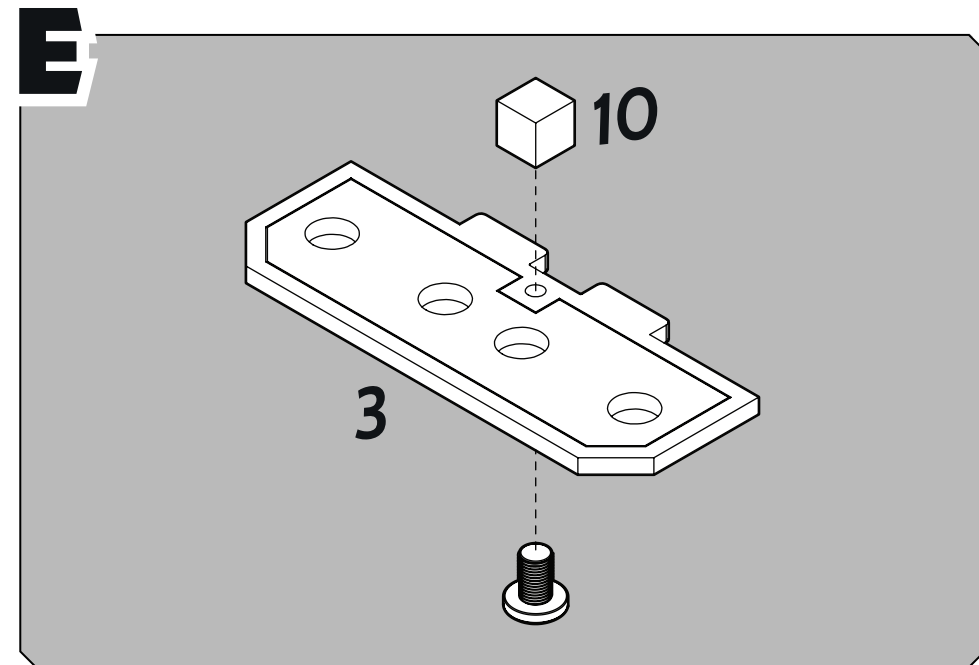
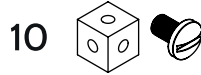
8 - No. Identifier

4 - Backplate 2

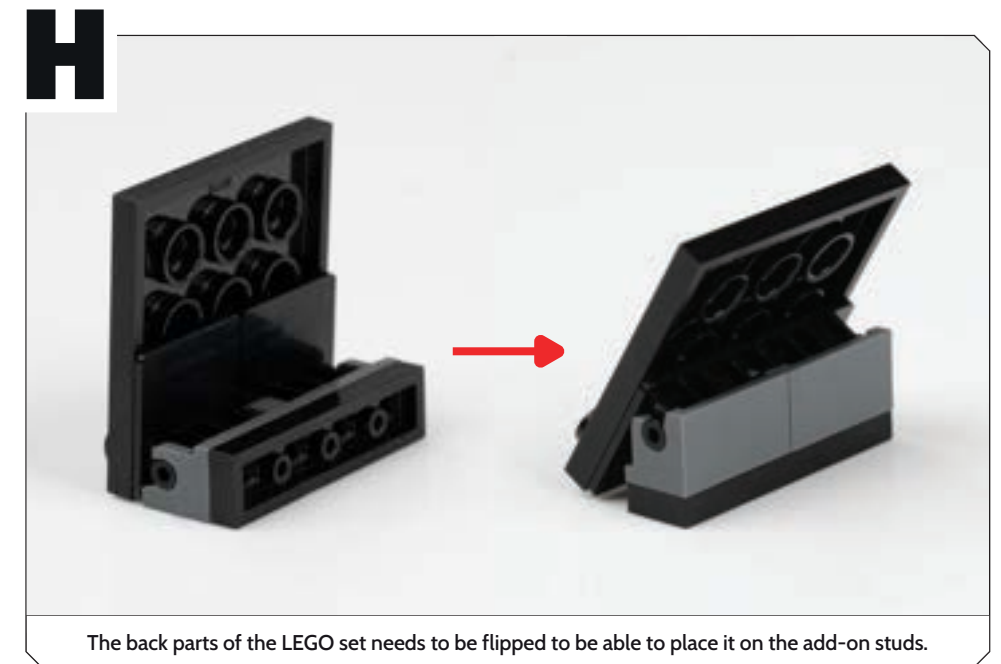
9 - Flat head screw

5 - Side stem

10 - Cube & screws



The image above shows how the LEGO set attaches to the stems.



The back parts of the LEGO set needs to be flipped to be able to place it on the add-on studs.