

**WICKED
BRICK**

PLEASE NOTE:

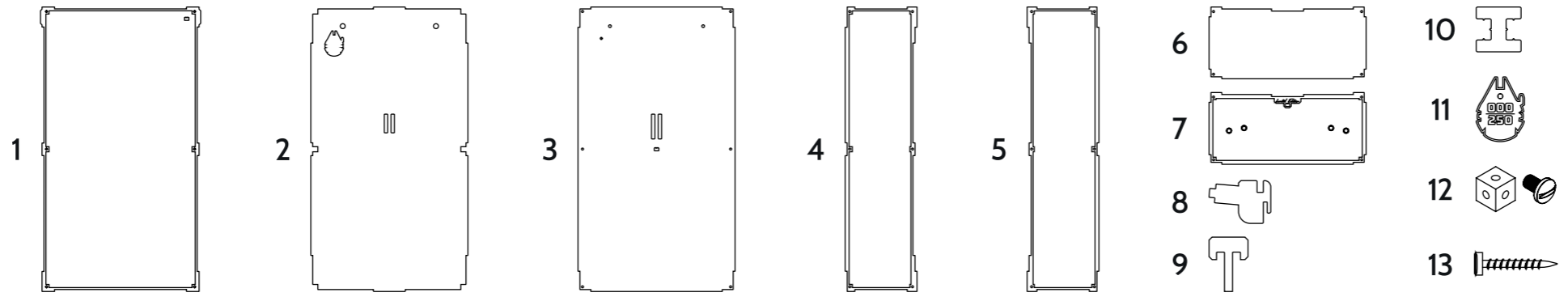
All acrylic parts have protective film applied on both sides.

Some pieces appear with slightly translucent film, this will need to be removed before assembly.

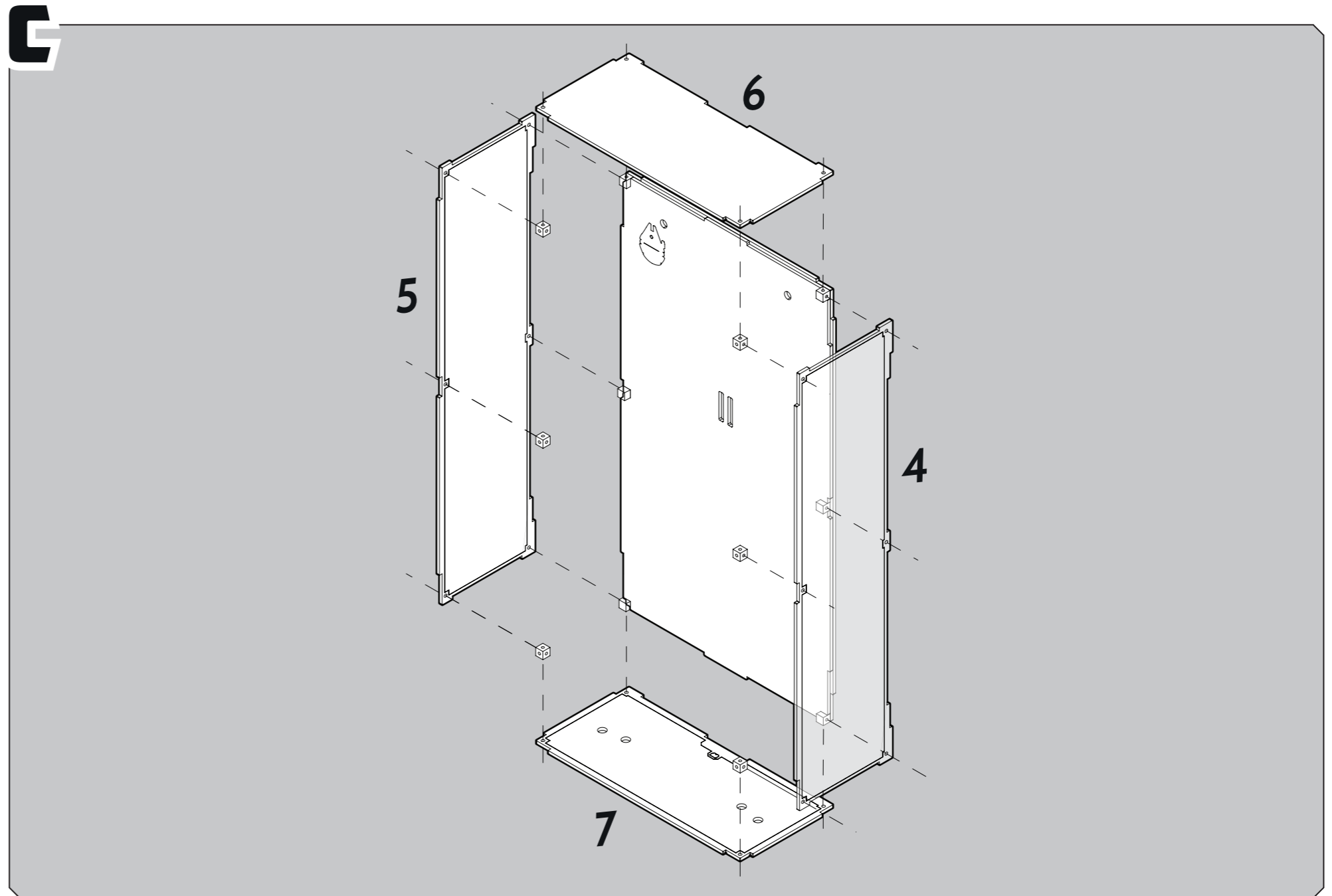
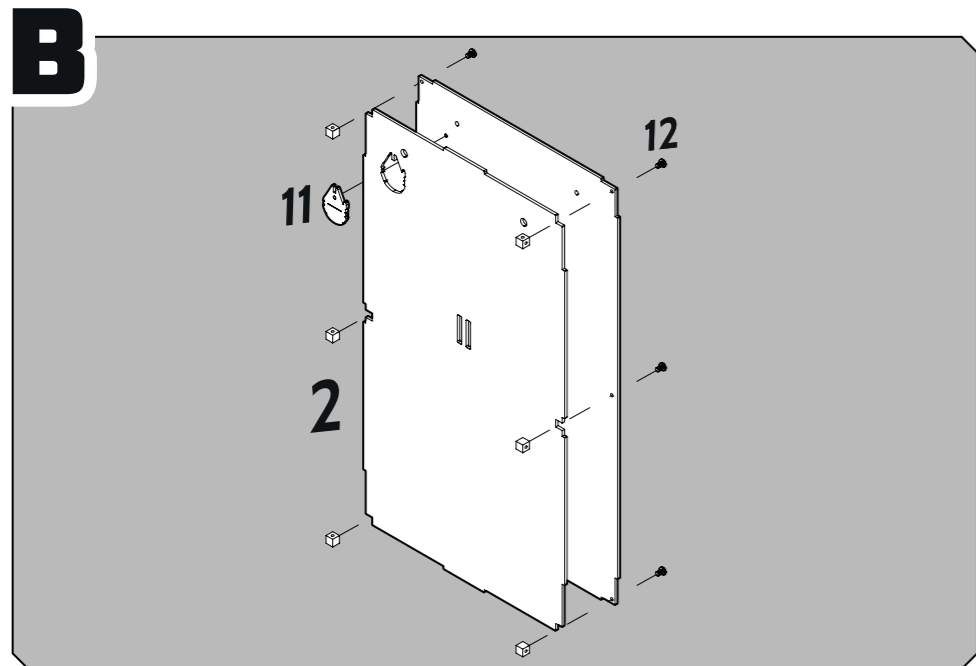
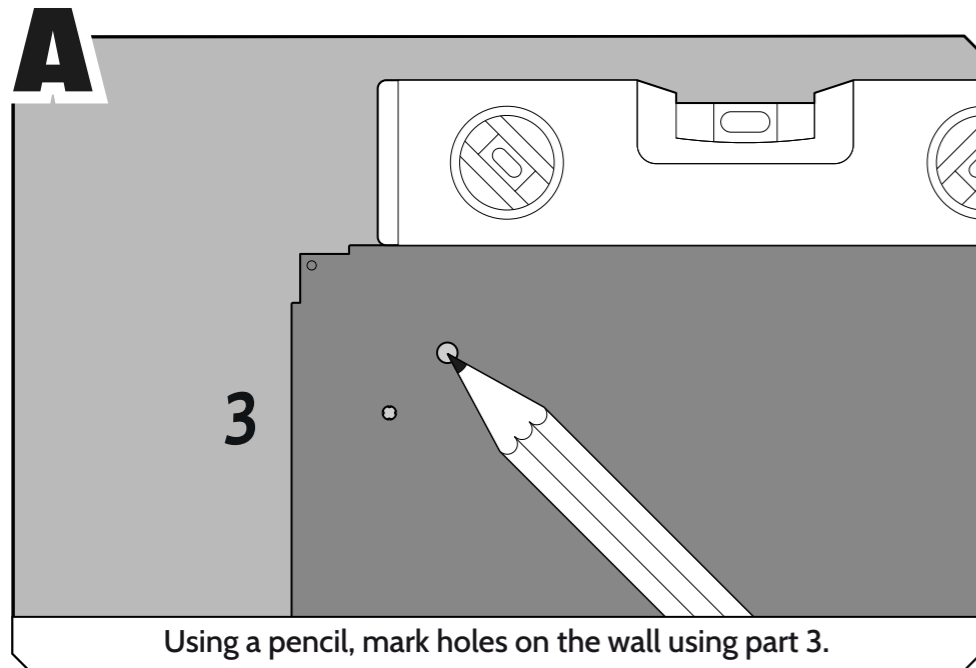
Ensure all engraved lines face outwards.

INSTRUCTIONS FOR: LEGO® Midi-scale Millennium Falcon wall mounted case.

LDS675.1.10



- 1 - Front panel
- 2 - Backplate 1
- 3 - Backplate 2
- 4 - Left panel
- 5 - Right panel
- 6 - Top panel
- 7 - Bottom panel
- 8 - Side stem
- 9 - Support stem
- 10 - Top plate
- 11 - No. Identifier
- 12 - Cubes & screws
- 13 - Flat head screw





WICKED BRICK

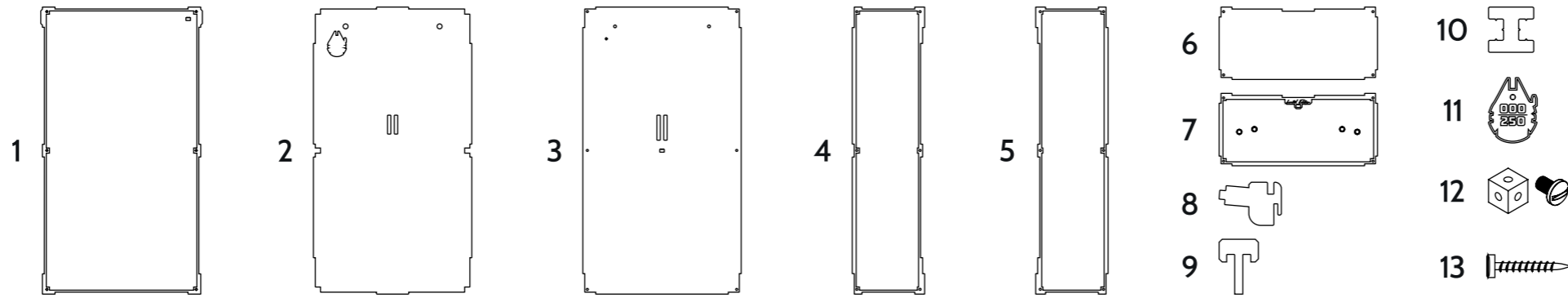
PLEASE NOTE:
All acrylic parts have protective film applied on both sides.

Some pieces appear with slightly translucent film, this will need to be removed before assembly.

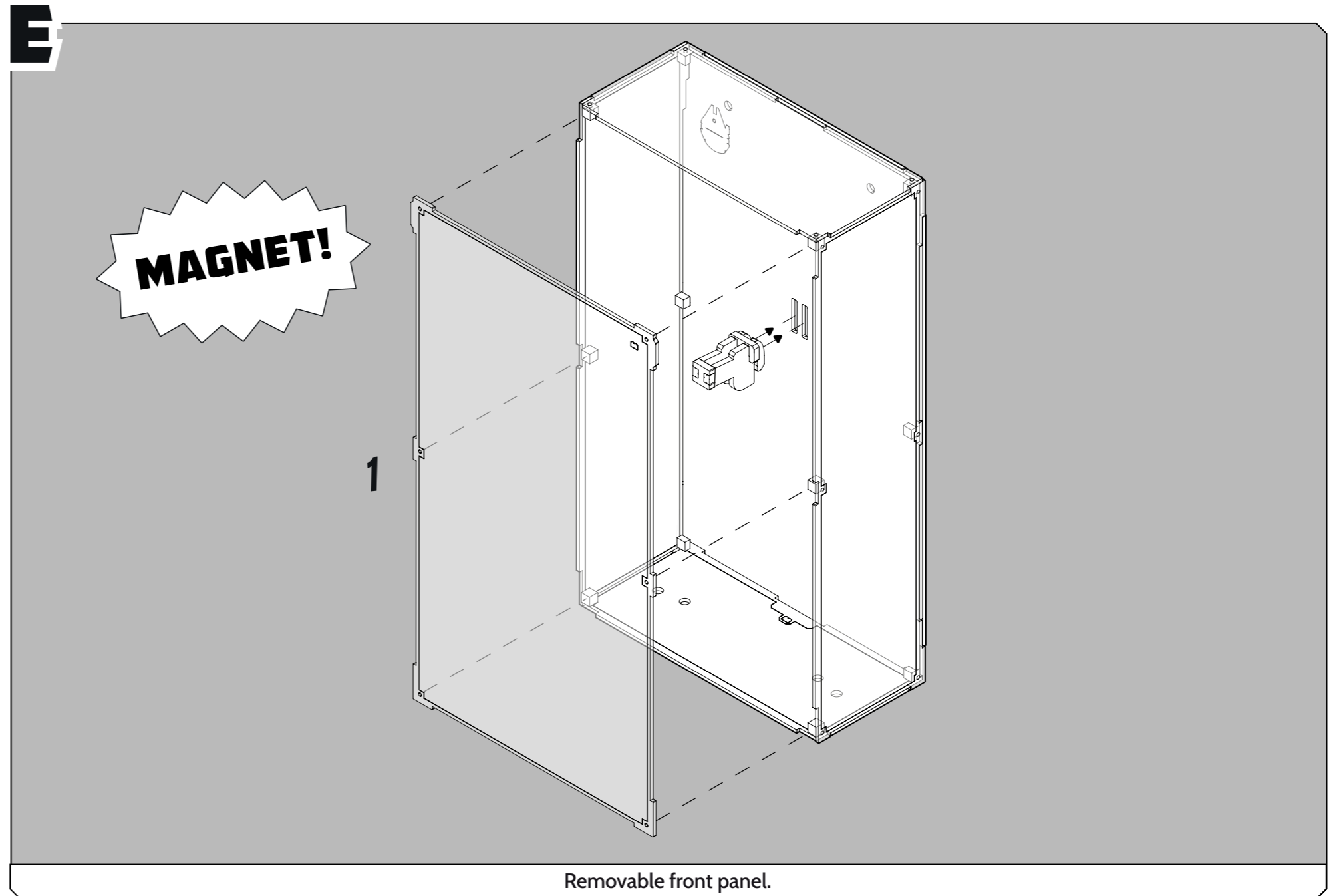
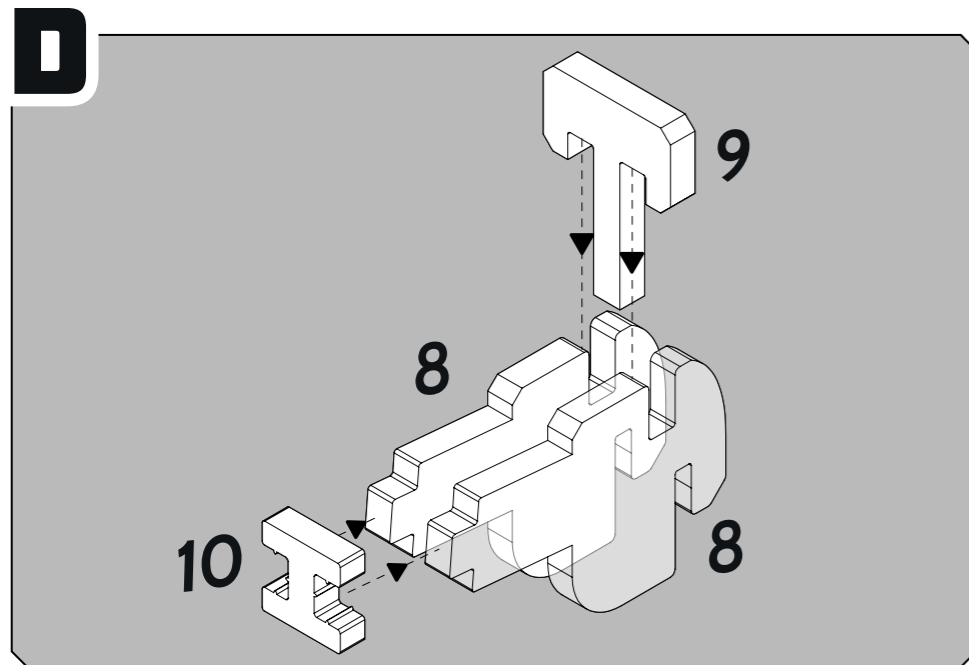
Ensure all engraved lines face outwards.

INSTRUCTIONS FOR: LEGO® Midi-scale Millennium Falcon wall mounted case.

LDS675.1.10



- 1 - Front panel
- 2 - Backplate 1
- 3 - Backplate 2
- 4 - Left panel
- 5 - Right panel
- 6 - Top panel
- 7 - Bottom panel
- 8 - Side stem
- 9 - Support stem
- 10 - Top plate
- 11 - No. Identifier
- 12 - Cubes & screws
- 13 - Flat head screw





**WICKED
BRICK**

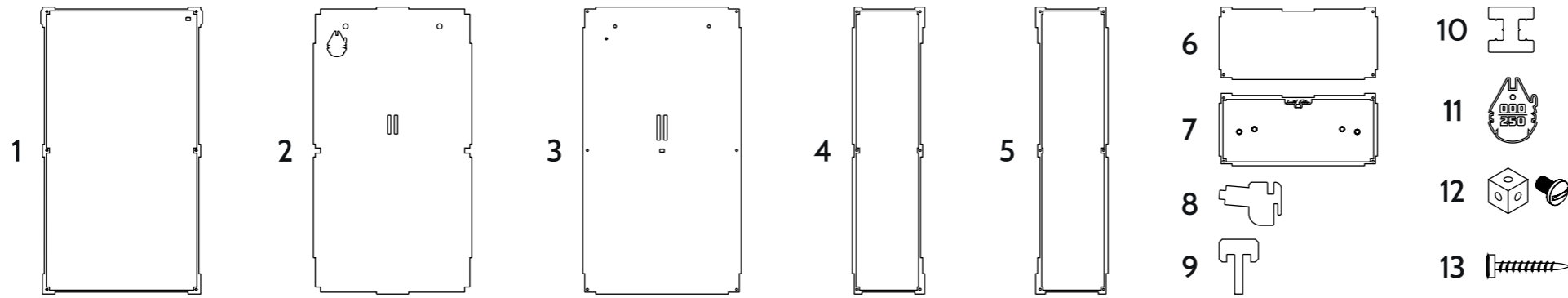
PLEASE NOTE:
All acrylic parts have protective film applied on both sides.

Some pieces appear with slightly translucent film, this will need to be removed before assembly.

Ensure all engraved lines face outwards.

INSTRUCTIONS FOR: LEGO® Midi-scale Millennium Falcon wall mounted case.

LDS675.1.10



- 1 - Font panel
- 2 - Backplate 1
- 3 - Backplate 2
- 4 - Left panel
- 5 - Right panel
- 6 - Top panel
- 7 - Bottom panel
- 8 - Side stem
- 9 - Support stem
- 10 - Top plate
- 11 - No. Identifier
- 12 - Cubes & screws
- 13 - Flat head screw

