



WICKED BRICK

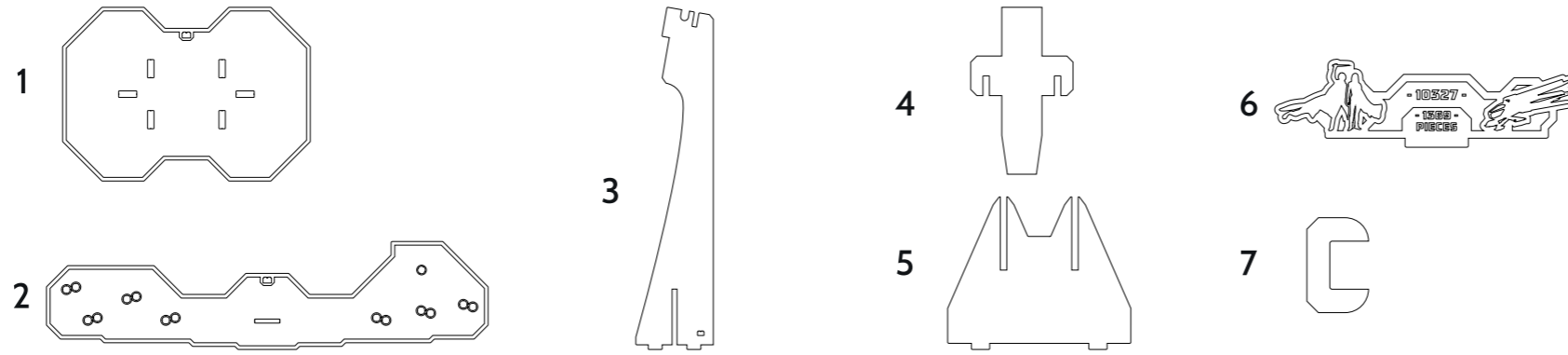
PLEASE NOTE:
All acrylic parts have protective film applied on both sides.

Some pieces appear with slightly translucent film, this will need to be removed before assembly.

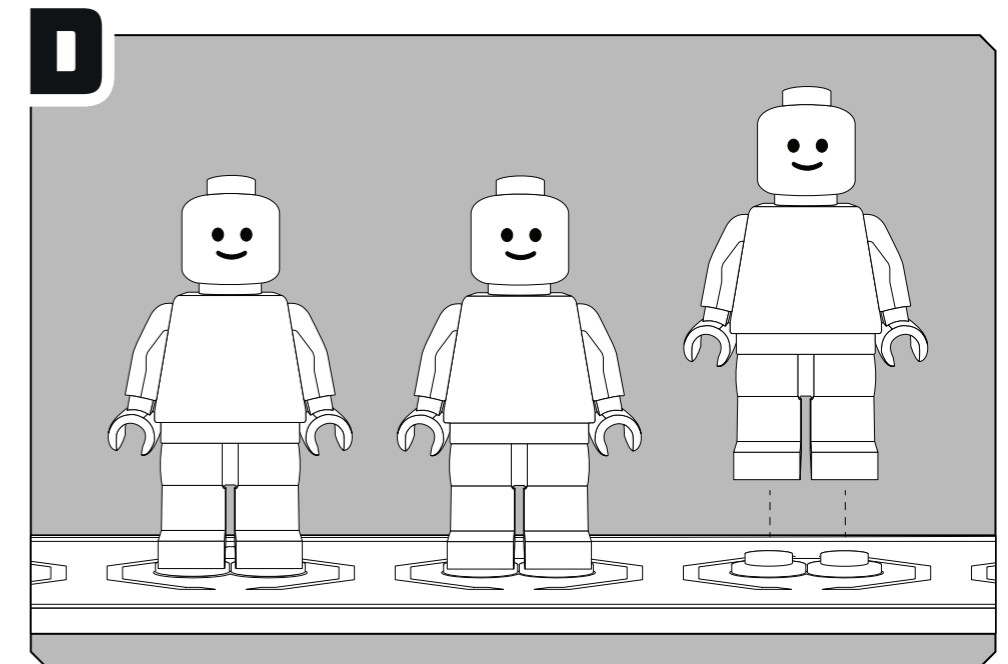
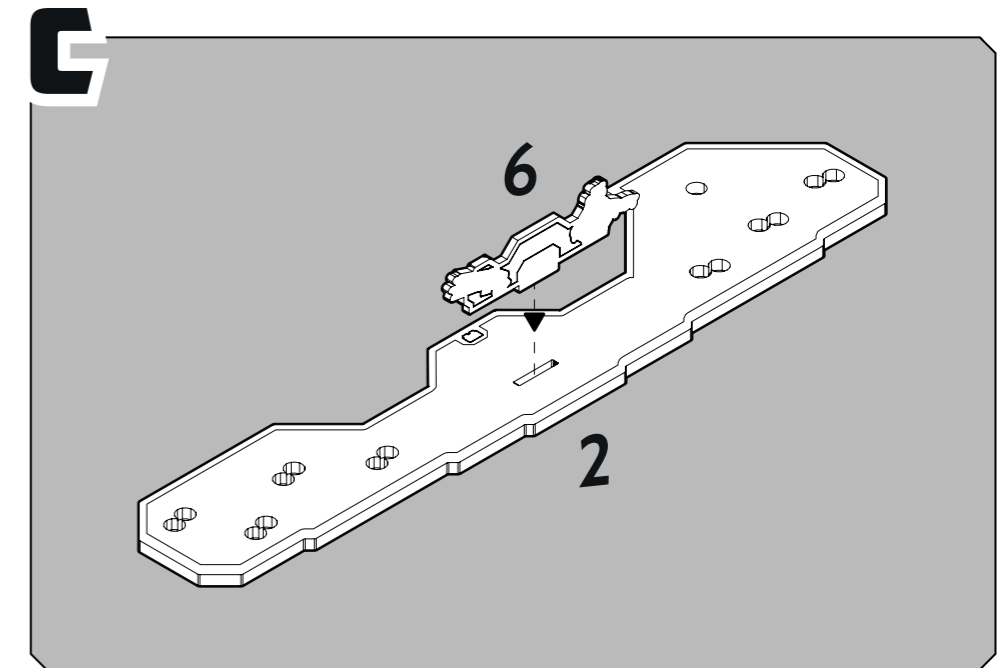
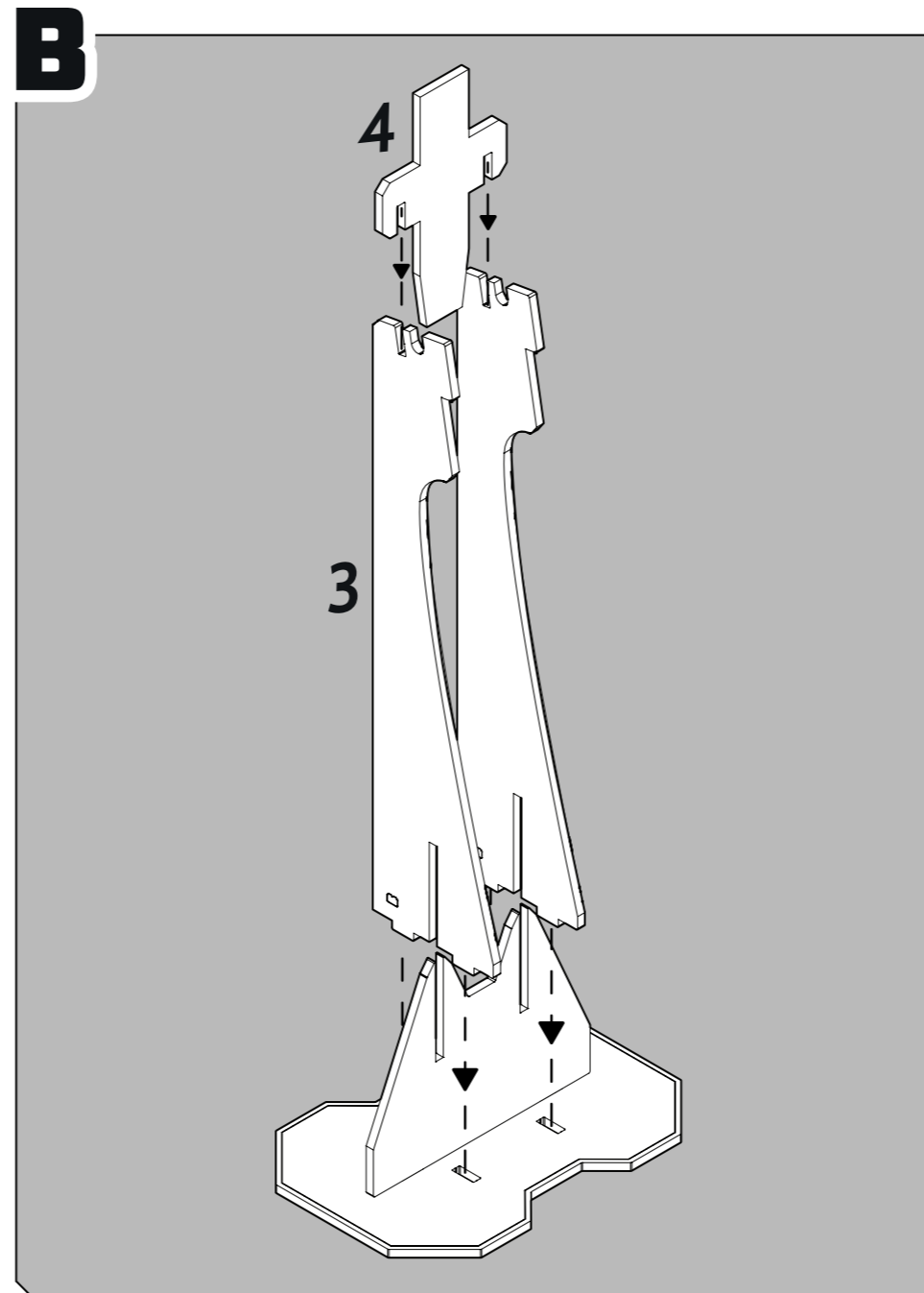
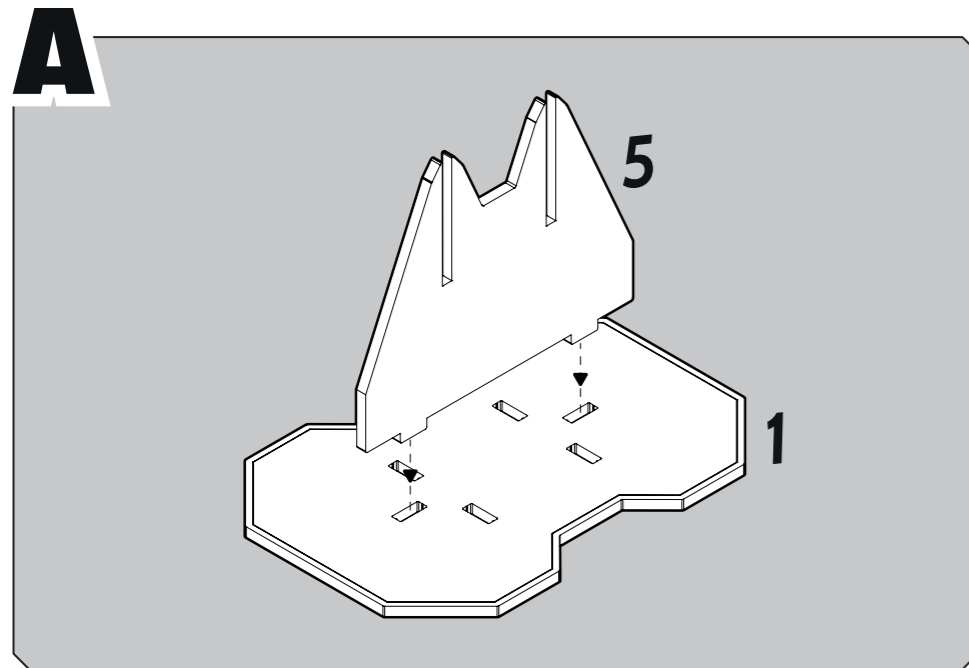
Ensure all engraved lines face outwards.

INSTRUCTIONS FOR: LEGO® Dune Atreides Royal Ornithopter Stand

LDS591.1.1



- 1 - Base
- 2 - Add-On
- 3 - Side stems
- 4 - Top support stem
- 5 - Bottom support stem
- 6 - Information Plaque
- 7 - Clips





**WICKED
BRICK**

PLEASE NOTE:

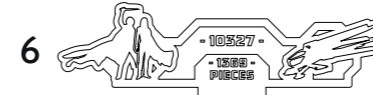
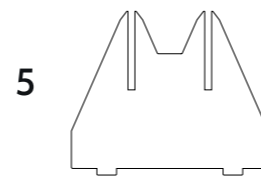
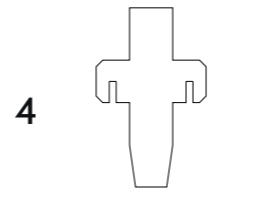
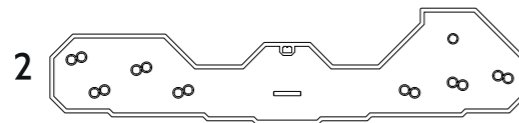
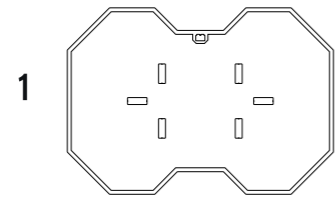
All acrylic parts have protective film applied on both sides.

Some pieces appear with slightly translucent film, this will need to be removed before assembly.

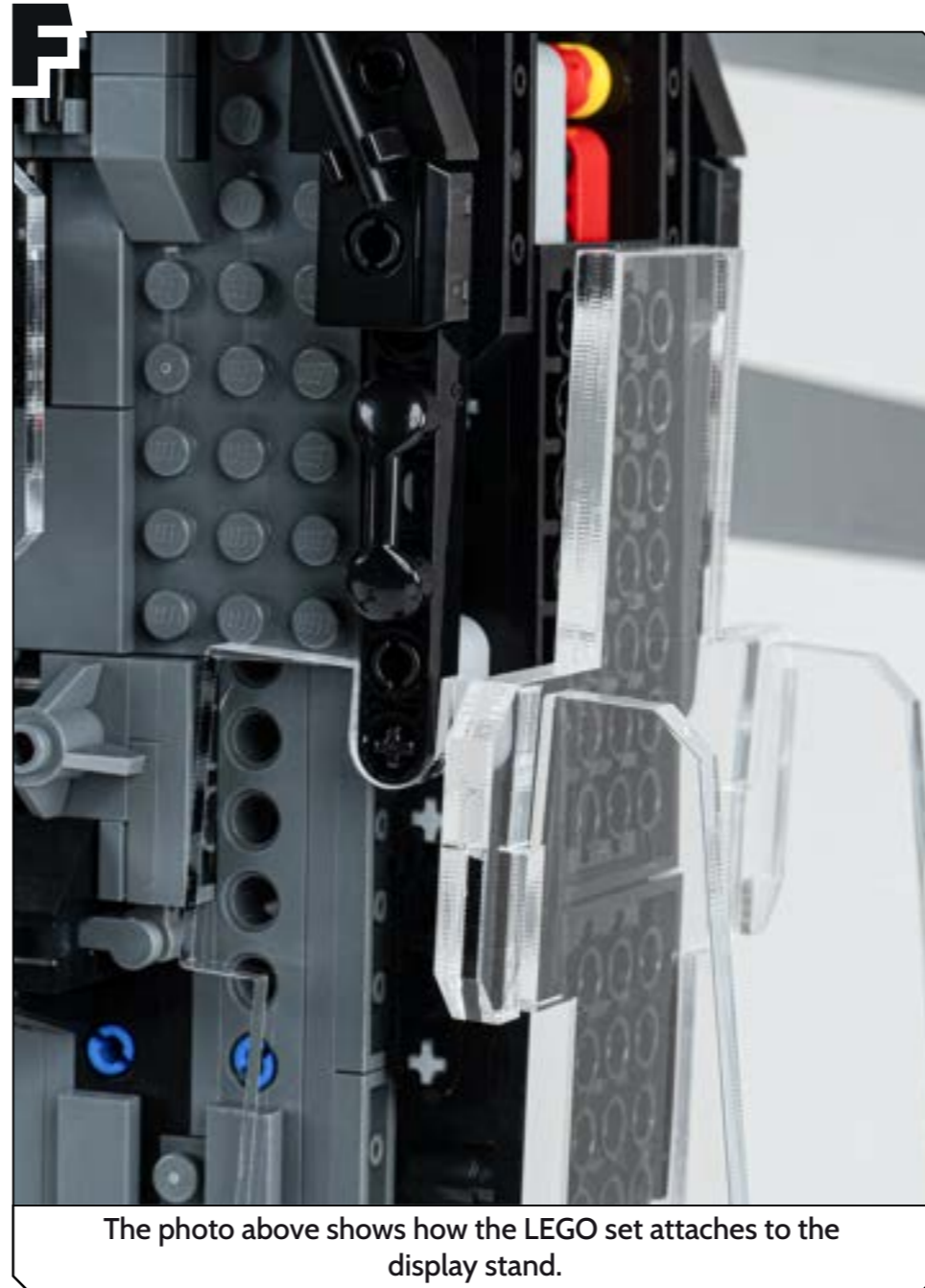
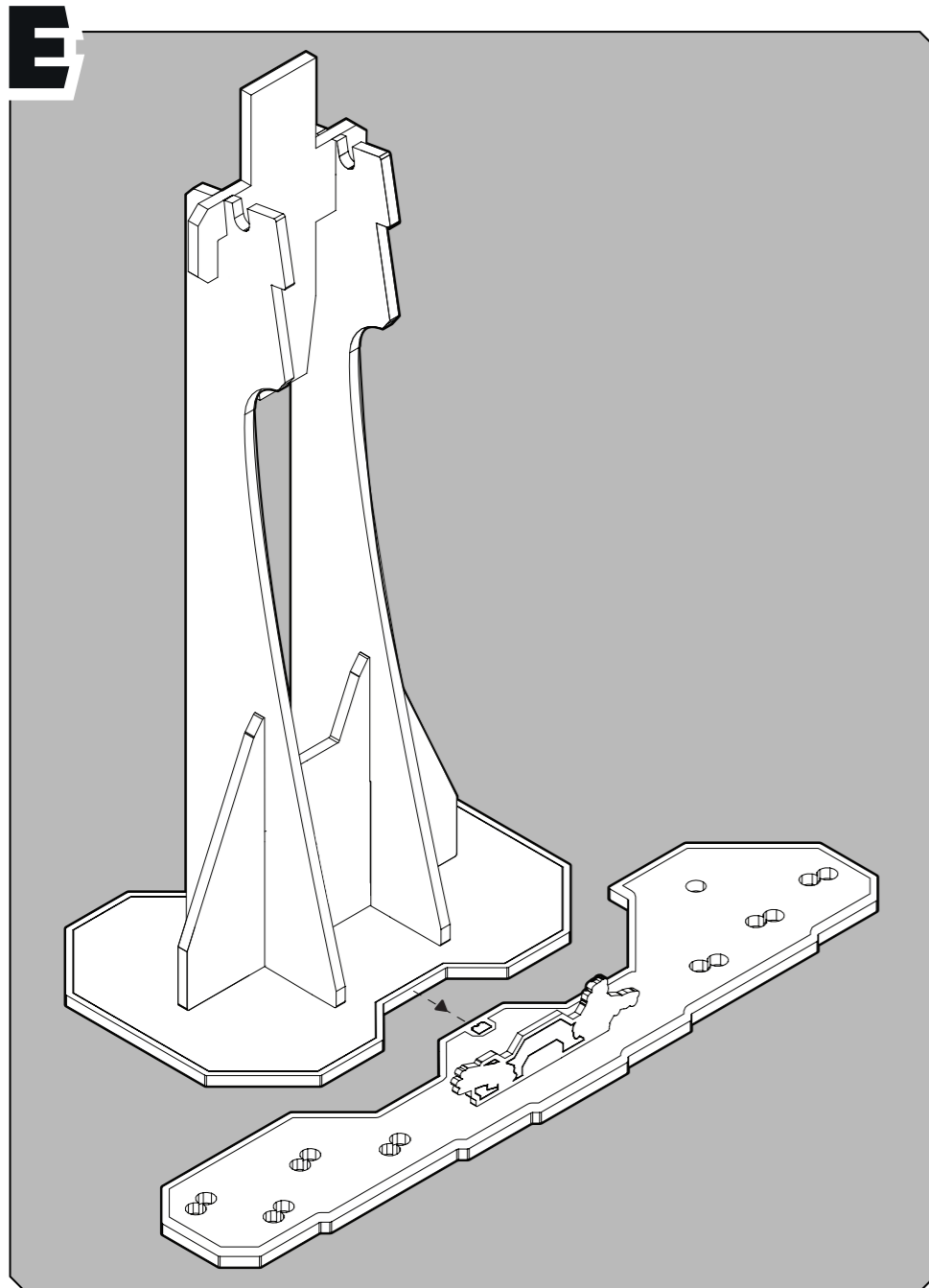
Ensure all engraved lines face outwards.

INSTRUCTIONS FOR: LEGO® Dune Atreides Royal Ornithopter Stand

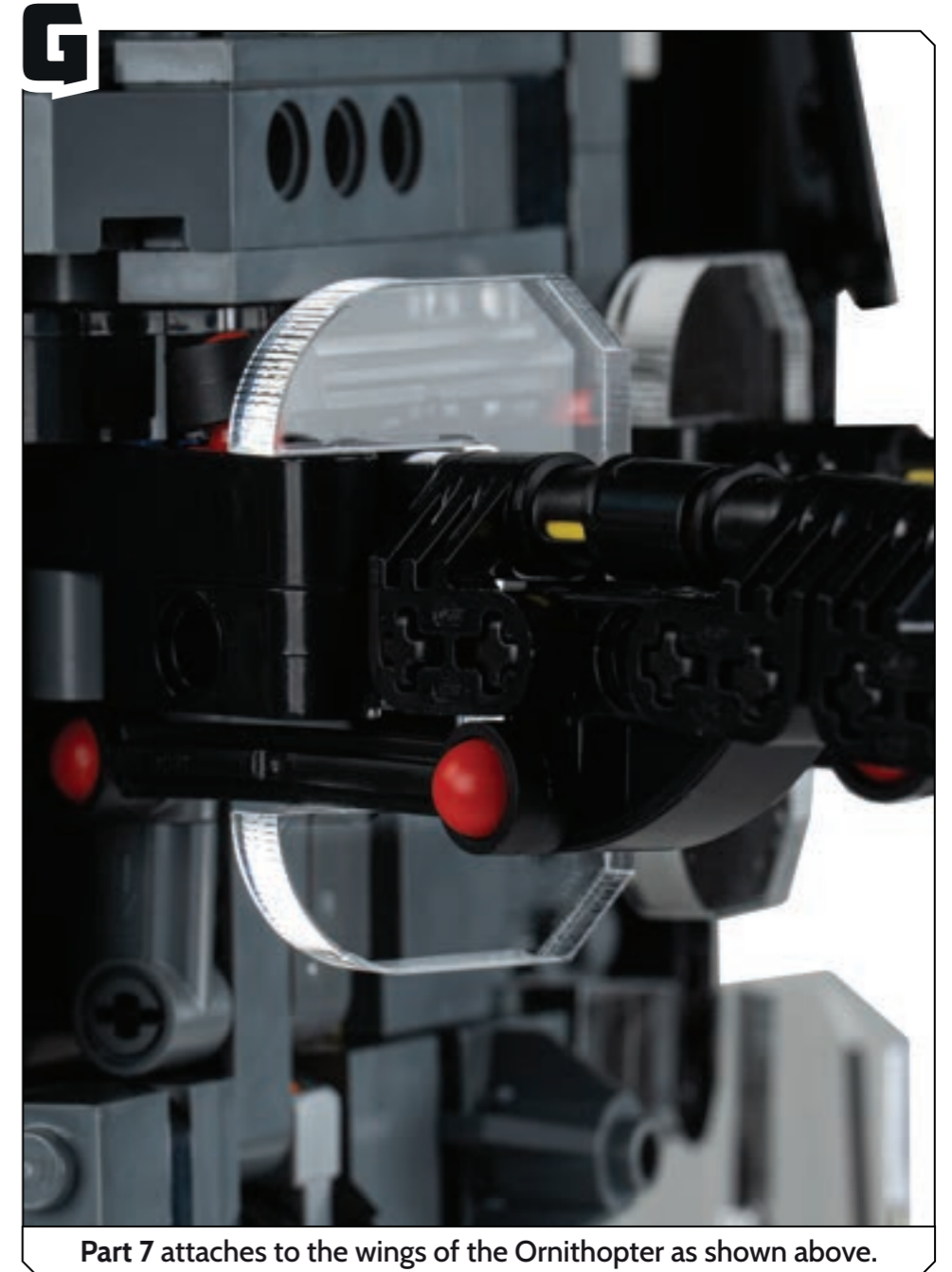
LDS591.1.1



- 1 - Base
- 2 - Add-On
- 3 - Side stems
- 4 - Top support stem
- 5 - Bottom support stem
- 6 - Information Plaque
- 7 - Clips



The photo above shows how the LEGO set attaches to the display stand.



Part 7 attaches to the wings of the Ornithopter as shown above.