

**WICKED
BRICK**

PLEASE NOTE:

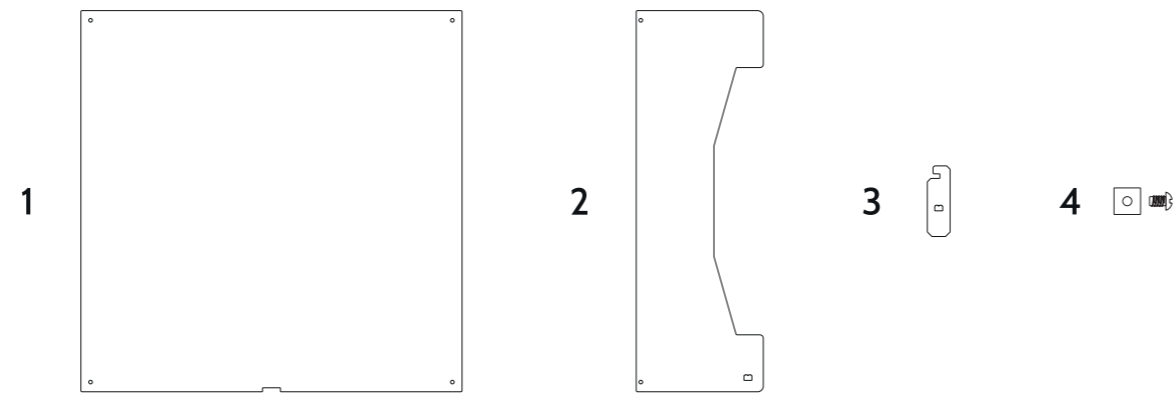
All acrylic parts have protective film applied on both sides.

Some pieces appear with slightly translucent film, this will need to be removed before assembly.

Ensure all engraved lines face outwards.

INSTRUCTIONS FOR: Kallax Window

IKDS1012 / 1013



- 1 - Window
- 2 - Support stems (x2)
- 3 - Key
- 4 - Cubes & Screws (2 boxes)

