

SPARE PARTS LIST

f o r

Forced Air Heater

Model

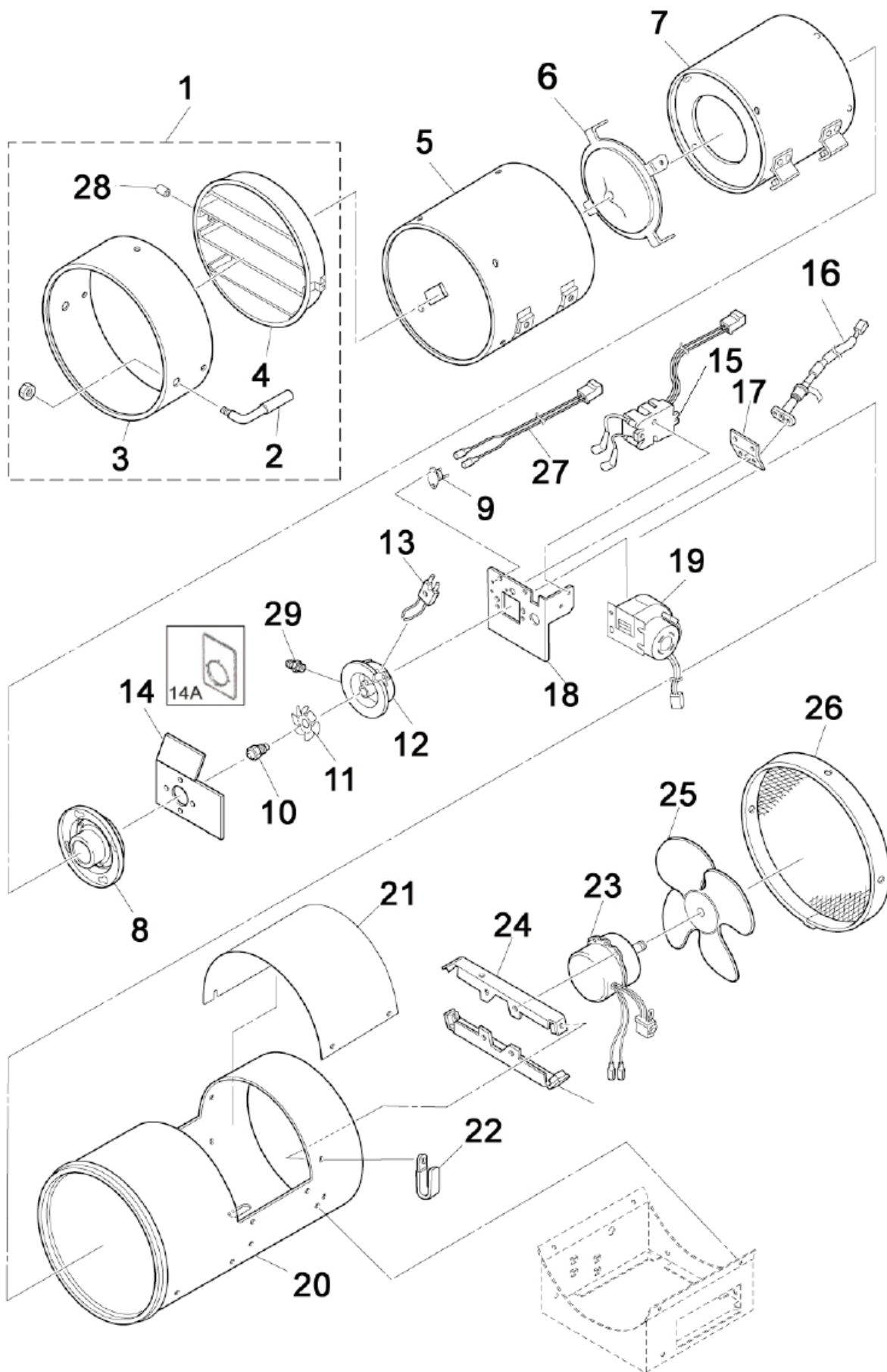
HOT GUN

HG 125NA

March 2023

Shizuoka Seiki Co., Ltd.

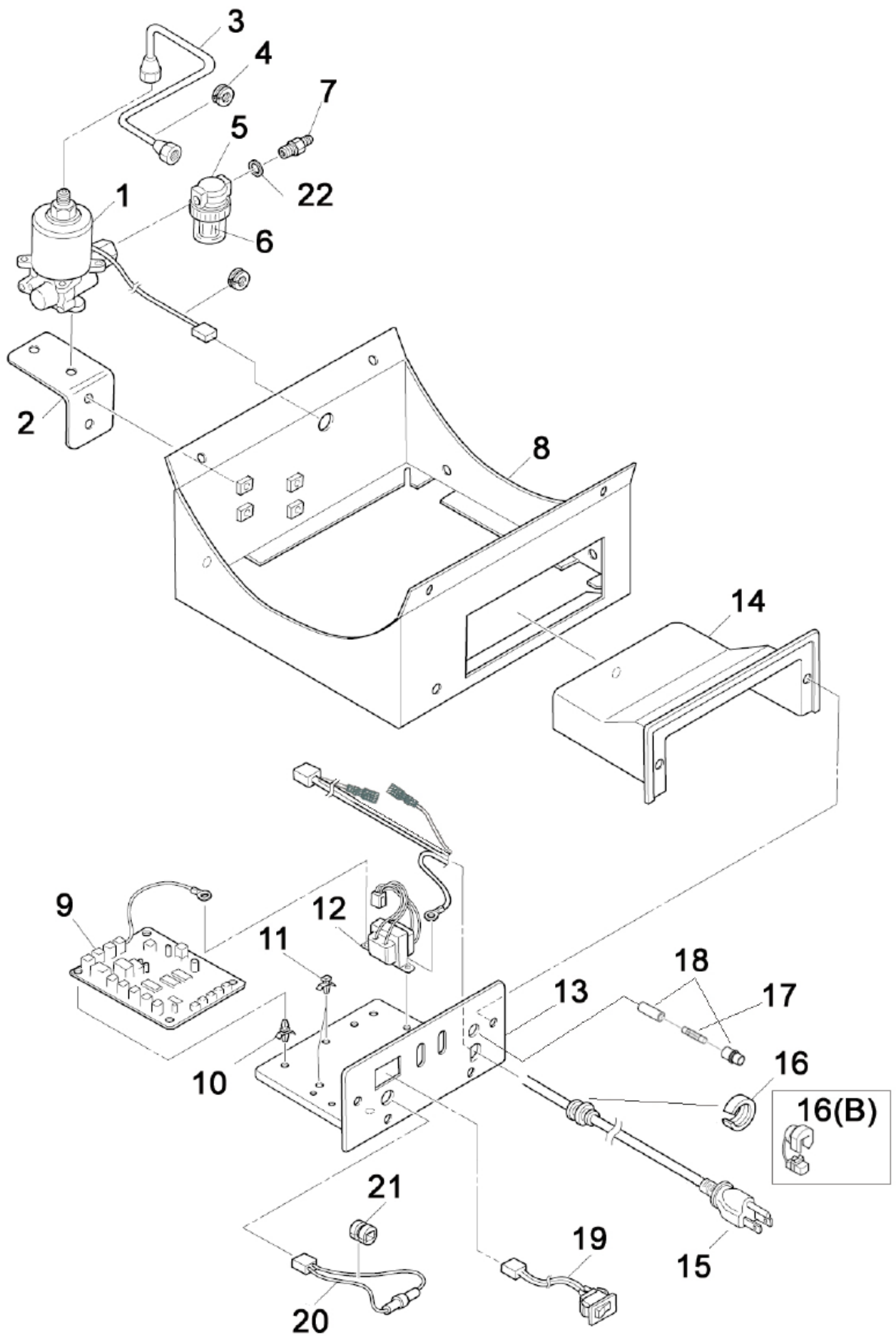
* PRICES AND SPECIFICATIONS ARE SUBJECT TO CHANGE WITHOUT NOTICE*



HG-125NA Main Section

□-mark means that the parts supply period is over and there are limited numbers of stock.

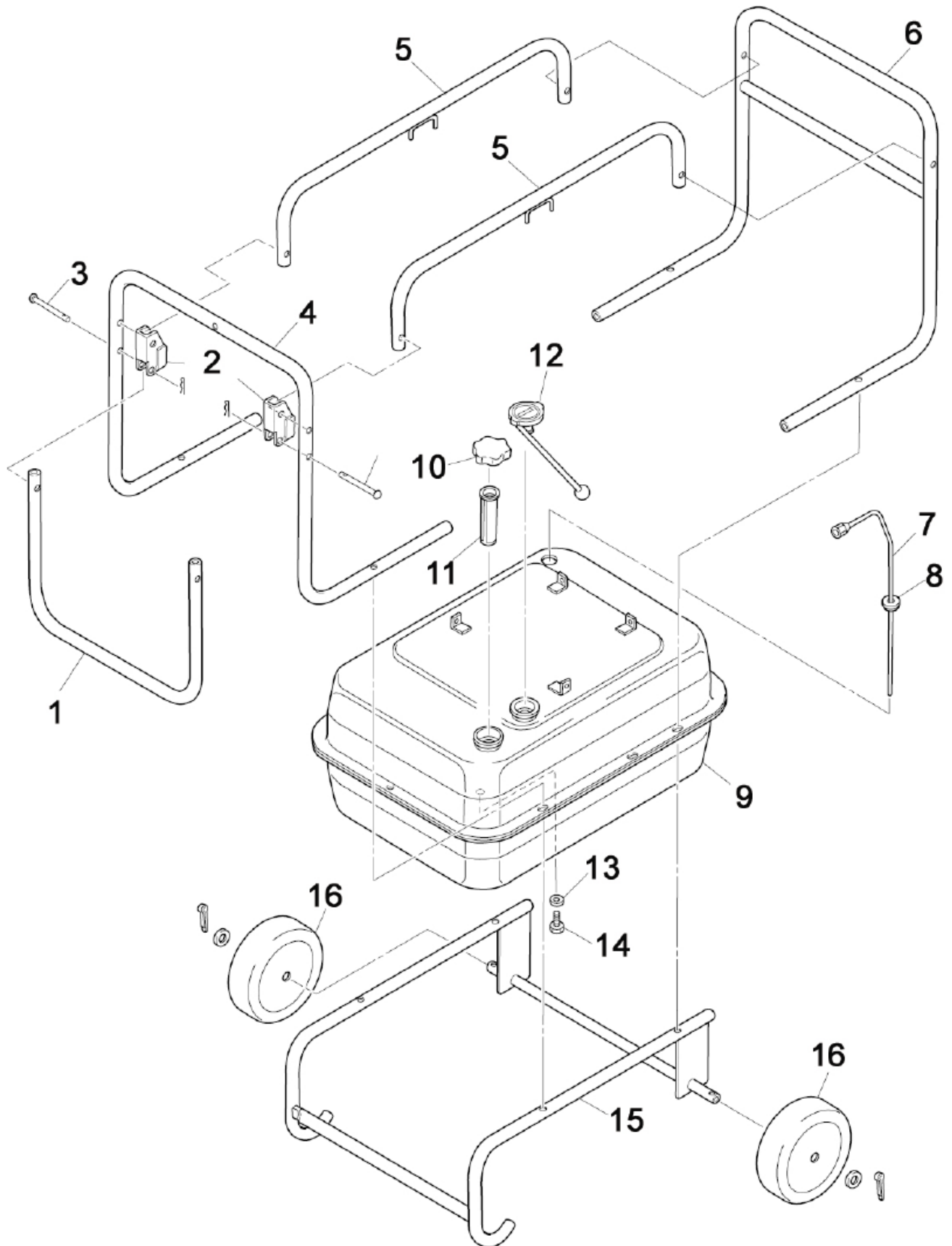
Part No.	PART NAME <MAIN SECTION>	CODE NO.	Q'TY /SET	125NA		REMARKS
				120V	230V	
1-1	Spout Unit Ass'y	50284101005	1	●	●	INCLUDE No.2,3,4,28
1-2	Lever	50284201014	1	●	●	
1-3	Louver Support	50284201023	1	●	●	
1-4	Louver	50284101006	1	●	●	
1-5	Heat Isolation Drum	50284101003	1	●	●	
1-6	Flame Barrier	50284201007	1	●	●	
1-7	Combustion Chamber	50284101002	1	●	●	
1-8	Burner Cone	50284102003	1	●	●	
1-9	Overheat Protector	50262202018	1	●	●	
1-10	Nozzle (0.85 Gal)	50300201018	1	●	●	
1-11	Whirl Vane	50284202002	1	●	●	
1-12	Burner Boss	50284202007	1	●	●	
1-13	Electrode	50262202010	1	●	●	
1-14	Insulating Plate	50284202013	1	N/A		till 06/07 changed to 50327 202002
1-14A		50327202002	1	●	●	from 07/08
1-15	Ignition Transformer	50284202010	1	□		till 06/07
		50321202003	1	●		from 07/08
		50296202002	1		●	
1-16	Flame Monitor	50284102004	1	□		till 05/06, with holder & connector
		50321102003	1	●	●	from 06/07, with holder & connector
1-17	Flame Monitor Bracket	50284202004	1	N/A		till 06/07 changed to 50327 202003
		50327202003	1	●	●	from 07/08
1-18	Fan Motor Bracket	50284202012	1	●	●	
1-19	Combustion Fan	50321202001	1	●		Air inlet opening: 60Hz-2, 50Hz-8
		50296202001	1		●	
1-20	Casing	50284201001	1	●	●	
1-21	Cover	50321101001	1	●	●	
1-22	Cable Hanger	50242202035	1	●	●	
1-23	Blower Motor	50296201001	1		●	
		50284201012	1	N/A		till 2012/13 changed to 50327 201006
		50327201006	1	□		till 2012/13
1-23A		50321201006	1	●		from 2013/14 C-01
1-24	Blower Motor Bracket	50284201013	2	●	●	
1-25	Vane	50229202045	1	●	●	
1-26	Guard	50284101007	1	●	●	
1-27	Overheat Protector Cable	50272202014	1	□	□	L=600mm, till 2012/13
		50321202004	1	●		from 2013/14 C-01
1-28	Louver Collar	50284201025	1	●	●	
1-29	Nozzle Nipple	50217202052	1	●	●	



HG-125NA Control Section

□-mark means that the parts supply period is over and there are limited numbers of stock.

Part No.	PART NAME < CONTROL SECTION >	CODE NO.	QTY /SET	125NA		REMARKS
				120V	230V	
2-1	Fuel Pump	50321203001	1	●		
		50296203001	1		●	
2-2	Pump Bracket	50296203005	1	●	●	
2-3	Pump-Nozzle Line	50296203008	1	●	●	
2-4	Pump-Nozzle Grommet	21300503-15	2	●	●	
2-5	Fuel Filter Comp.	50204201085	1	N/A		INCLUDE No.6 till 06/07
		210210003-9	1	●	●	from 07/08 including 21021003-10
2-6	Filter Element	50204201082	1	N/A		till 2006/07
		21021003-10	1	●	●	
2-7	Nipple	21021003-16	1	●	●	
2-8	Casing Support	50284103005	1	●	●	black from 2019
2-9	Burner Control	50321204003	1	N/A		till 05/06, changed to 50321204005
		50321204005	1	□	□	from 06/07, till 2012/13
		50330201020	1	N/A		from 2013/14 C-01 till 2016 Changed to 50330201026
		50330201026	1	●		from 2017/18 Y-01
2-10	Control Board Support	50229201037	4	●	●	
2-11	Control Board Spacer	50271202023	2	●	●	
2-12	Step Down Transformer	50300201005	1	●		
		50291201002	1		●	
2-13	Face Plate	50321104003	1	●	●	with face plate
2-14	Burner Control Cover	50284204003	1	●	●	
2-15	Power Cable including plug	50321204001	1	N/A		till 03/04
		50300201027	1	N/A		from 04/05 till 05/06
		50321204006	1	□		from 06/07, with No16, till 12/13
		50321204007	1	●		from 2013/14 C-01
		503032B1005	1		●	
2-16	Cable Stopper	50205201017	1	●	●	till 03/04, from 06/07
2-16B		502212A2028	1	□		from 04/05 till 05/06
2-17	Fuse (3A)	50300201026	1	●	●	3A
2-18	Fuse Holder	50217202034	1	□		till 03/04
		50300201024	1	●	●	from 04/05
2-19	Switch	50284104003	1	●	●	L=180mm
		50321104004	1	●		from 2013/14 C-01
2-20	Thermostat Cable	50266202007	1	N/A		till 05/06, L=230mm
		50288204015	1	●	●	from 06/07
		50321204008	1	●		from 2013/14 C-01
2-21	Vibration Sensor Holder	50219201063	1	●	●	
2-22	Washer	21022003-45	1	●	●	



HG-125NA Tank Section

□-mark means that the parts supply period is over and there are limited numbers of stock.

Part No.	PART NAME < TANK SECTION >	CODE NO.	Q'TY /SET	125NA		REMARKS
				120V	230V	
3-1	Handle Bar	502422B3017	1	●	●	
3-2	Handle Support	50321103005	2	●	●	
3-3	Rivet	50242203018	2	●	●	
3-4	Grip (F)	50284203003	1	●	●	
3-5	Reinforcement Bar	502421B3008	2	●	●	
3-6	Grip (B)	50284203004	1	N/A	N/A	Changed to 50284103006
		50284103006	1	●	●	
3-7	Suction Pipe	50296203007	1	●	●	
3-8	Suction Pipe Packing	50211205015	1	●	●	
3-9	Fuel Tank	50321103002	1	□	□	
		50321103A02	1	●	●	from 2017/18
3-10	Filler Cap	50219102003	1	●	●	
3-11	Tank Inlet Filter	21022002-11	1	●	●	50231204014
3-12	Fuel Gauge	50260102003	1	●	●	till 2016/17
		50321203009	1	●	●	from 2017/18
3-13	Drain Packing	50231204021	1	●	●	
3-14	Drain Bolt	50231204020	1	●	●	M16
3-15	Wheel Shaft Ass'y	50321103004	1	●	●	
3-16	Wheel	50201204006	2	□	□	dia. = 200mm
3-16A		50330202024	2	●	●	from2020/21

2303